

Organizers

Cabinet Organizers

Storage with Style	
Cookware Organizer NEW	322
Trash Can Pullout NEW	323
Base Pullout NEW	324
Pullout Baskets NEW	325
Corner Solutions	
Blind Corner Swingout	328-329
Blind Corner Sliding Door	330-331
Easy 360 Susan	332-333
Premium Wood Lazy Susan Kits	334-335
Premium Wood Lazy Susan Shelves & Poles	336-337
Premium Wood Swivel Lazy Susan	338
Economy Wire Swivel Lazy Susan	339
Economy Banded Swivel Lazy Susan	340
Economy Banded Lazy Susan Kits	341
Plastic Lazy Susan with Chrome Hub Kits	342
Economy Plastic Lazy Susan Kits	343
Plastic Pie-cut Lazy Susan NEW	344
Half-moon Lazy Susan NEW	345
Waste Container Solutions	
Wood Bottom Mount with Door Kit	350
Wood Bottom Mount	352
Wood Top Mount with Soft-close	353
Wood & Metal Bottom Mount	354
Wire Bottom Mount	355
Cans & Lids	356
Special Buy – Wood Top Mount	357
Pantry Solutions	
Premium Chrome Swingout	360-361
Premium Chrome Pullout	362
Wood Pullout	363
Wood Swingout	364
Wood Door Mount	365
Drawer Solutions	
Peg Board Insert	368
Peg Board Accessories	369
Double Cutlery Drawer	370
Cutlery Insert	371
Knife Block Insert	372
Spice Tray Insert	373
Tipout Trays – Stainless Steel	374
Tipout Trays – White	375
Base Cabinet Solutions	
“No Wiggle” Pullout	378-379
“No Wiggle” Vanity Pullout	381
“No Wiggle” Utensil Pullout NEW	382
“No Wiggle” Drawer Base Pullout NEW	383
Tray Divider Pullout	384
Base Filler Pullouts	385
Peg Board Filler Pullout	386
Appliance Lift	387
Easy-to-Install Rollout Drawers	388-389
Build Your Own Rollouts	390
Quick Tray Pilaster System	391
Slide Mounting Kit for Ball Bearing Slides	392
Rear Mounting Bracket for undermount Slides	393
Dovetail Drawer Boxes & Linear Material	394-395

Wall Cabinet Solutions	
Wall Pullouts	398
Wall Filler Pullouts	399
Smart Rail Storage Solution	400-403
Wire Tray Divider	404
Wooden Tray Divider	405
Door Mounted Spice Racks	406-407
Wooden Stemware Rack	408
Wooden Stemware Moulding	408
Wooden Bottle Lattice	409
Wire Stemware Rack	410
Wooden Bottle Rack	410

Easy-to-Install Organizers

Pullout Baskets	413
Trash Can Pullouts	414
Trash Cans & Lids	415
Cleaning Supply Caddy	416
Pullout Pot Organizer	417
Pullout Lid Organizer	417
Door Mounted Tray System	418
Single Shelf Lazy Susan	419
3-Tier Spice Pulldown	420
Over the Door Towel Bar	421
Tipout Trays	422
Under Cabinet Stemware Rack	423
Under Cabinet Bottle Rack	423
U-Shaped Tray Divider	424
3-Tier Dishcloth Rack	424

Closet Organizers

Shoe Fences	426
Pullout Baskets	427-429
Pullout Canvas Hamper	430
Pullout Plastic Hamper	431
Pullout Pant Rack	432
14" Belt & Tie Racks	433
Tri-Level Tie Organizer	434
Cascading Tie Organizer	435
12" Belt & Tie Racks, Valet Rod	436
Screw-Mount Racks	437
Telescoping Valet Rods	438
Jewelry Trays	439
Wardrobe Lifts	440-441
Laundry Valet	442
Hooks	443
Oval Closet Rods	444-445
Round Closet Rods	446-449
Sempria® Lighted Closet Rods	450-451
Custom Dovetail Drawer Boxes	452-453
Decorative Hardware	454-457
Heavy Duty Shelf Utility Bracket	457
Shelf Supports	458-461
Panel Connectors	462

You Buy. You Try. You Decide.

Place a Trial Order any new-to-you cabinet organizer products and try them out. If you're not satisfied we'll take them back. Guaranteed!

How the Trial Order program works

1. Place a Trial Order for any cabinet organizers. Trial Orders can be combined with a regular order. We pay the freight on Trial Orders.
2. Test the products risk-free.
3. If you're not completely satisfied, call us. We'll give you immediate full credit on the Trial Order purchase. We'll arrange for the products to be picked up later – no need to save the original packaging, ship them back, etc. We make it easy. We would appreciate hearing your observations on the products.



How to order

1. Call **800-463-0660**
2. Use code **TRIAL-CABINETORG** for the Trial Order products



Hardware Resources believes in quality, integrity, and reliability. We uphold the highest standards of service and responsibility in the industry.

As such, Hardware Resources warrants all cabinet and closet organizers against defects in material and workmanship as long as the original consumer purchaser owns the products, if the original consumer purchased the products from an authorized distributor of Hardware Resources. Hardware Resources cannot guarantee the quality or condition of products from distributors who do not agree to meet our high standards, and therefore, no warranty is provided for products from unauthorized sellers.

If the finish of any of these items tarnishes, corrodes, rusts, begins to chip or rub off or has any other defect, Hardware Resources will send to the original purchaser, a new replacement product of the same or comparable style and quality at no charge. If a replacement is no longer available, Hardware Resources will refund to the original purchaser, the current wholesale value of the item.

This warranty is a warranty of replacement only. Hardware Resources specifically does not warrant removal of the product nor installation of replacement new product. This warranty does not apply when the item has been tampered with, misused, improperly installed, altered from the original form, or damaged through improper cleaning, abuse or accident.

In the unlikely event that a defective cabinet or closet organizer is encountered, please contact Customer Service at 800.463.0660. Please be able to provide a brief description and photographs of the defect.

What's New in Organizers?

Stylish Cookware Pullout



see page 322

Stylish Trash Pullout



see page 323

Stylish Pullout



see page 324

Stylish Baskets



see page 325

Utensil Pullout



see page 382

Under Drawer Pullout



see page 383

Half-moon Lazy Susan



see page 345

Pie-cut Lazy Susan



see page 344

Top Mount Trash Pullout



see page 353

What makes a kitchen great

Cabinet Corner Solutions



CS-ES360



LSR218-SET



PLSK232

Premium Wood Lazy Susan
Timeless traditional lazy susan that features beautiful wood and chrome accents.

Plastic Lazy Susan
Functional and practical corner solution.



360° Easy Susan
Combines the pullout convenience of a drawer with the rotating function of a lazy susan.



BCS0221PCMP-LH

Blind Corner Swingout
Double shelves that independently pull out of the cabinet allow easy access to the back of the cabinet.



Shown with optional door mounting kit

CS-SDCO

Sliding Corner Organizer
Smooth-sliding front baskets pull out of the cabinet and rear baskets slide over for easy reach.

is how you **Organize It**

Waste Container Solutions



CDM-WBMD35G

Premium Wood Bottom Mount with Door Mount

Beautiful solid wood drawer box with concealed soft-close slides and patented door mouting system.



CAN-WBMD35WH

Premium Wood Bottom Mount

Beautiful solid wood drawer box with concealed soft-close slides.



Optional black and grey trash cans

CAN-TMDSC-18

(Cans sold seperately)

Premium Wood Top Mount

Low profile design, soft-closes into cabinet with mounted door.



(Cans sold seperately)

CAN-EBMSPC-R

Economy Wire Trash Can System

Practical and versatile with three finish options.

What makes a kitchen great

Pantry Solutions



Premium Chrome Swingout
Pivots 90 degrees when fully extended, making the back of the pantry easily accessible.



Wood Swingout and Door Mount
Maximize pantry storage with swinging shelves and door mount shelves.



Premium Wood Pullout
Natural solid wood pullout on heavy-duty slides.

Premium Chrome Pullout
Heavy duty soft-close pantry pullout with stylish chrome accents.

is how you **Organize It**

Drawer Solutions



Pegboard Organizer Cookware and Lid Insert

Works in conjunction with Pegboard Organizer Insert to organize cookware in deep drawers.



Double Cutlery Drawer

Double your drawer space with our two-tier cutlery drawer; top cutlery drawer slides away revealing bottom cutlery drawer.



Pegboard Organizer Insert

Beautiful solid wood pegboard drops into drawer for customizable organization.



Cutlery Drawer Insert

Beautiful natural wood divider, simply drops into drawer.



Spice Tray Drawer Insert

Tiered and tilted design allows you to easily see your spices.



Knife Organizer Drawer Insert

Get your knife block off the counter and into your drawer with this knife block insert.

What makes a kitchen great

Pullout Solutions



BPO2

"No Wiggle" Pullout

The star of the kitchen! Bring your cabinet contents within easy reach. Our patented design eliminates the wiggle, keeping your contents secure.



SPR9A

Door Mount Spice Racks

Maximize your space by adding storage on your cabinet door, freeing up shelf space.



WPO8

Upper Cabinet Pullouts

Pullout shelves keep everything within your reach.



ML-1CH

Appliance Lift

No more lifting heavy appliances with this soft-close lift.



SRSS999LED

Smart Rail System

Put your walls to work with this versatile modular storage system.



BPOTD8

Tray Divider Pullout

Tame cookie sheet chaos using easily accessible pullout divider with soft-close slides.



RO21-WB

Rollout Drawers

Bring the back of the cabinet to your fingertips with beautiful dovetail rollout drawers.

is how you **Organize It**

Wine Accessories



Bottle Lattice and Stemware Rack

Showcase your wine collection with a beautiful wooden bottle lattice rack and coordinating stemware rack to free up more cabinet space.

Wire Tray Dividers



Metal Tray Divider

Keep your bakeware items in reach and easily accessible with our versatile tray dividers.

Cleaning Storage Solutions



Pullout Cleaning Supply Caddy

Organizing your cleaning supplies doesn't have to be a chore. Easy to pull out and remove so you can take it from room to room.

Dishcloth Rack

Keep your dish towels under the sink and within your reach every time you need them.

Pullout Wire Basket

Add additional storage options with our pullout wire basket.



Easy-Install Kitchen Organizers are

After cabinets have been ordered and even after cabinets have been installed, your customer may want to add additional Organizers to their new cabinets. Below are professional-grade Organizers that are easy to install after the cabinets have been made, designed to fit standard 1-1/2" face frame cabinets.



Bottom Mount Trash Can Pullouts

Install quickly with
just a few screws

See pages 350-352



Smart Rail™

Customizable hanging
storage solution

See pages 400-403



Tray Dividers

Keep trays and
bakeware in easy
reach

See pages 404-405



Drawer Inserts

Organize plates, bowls,
pots, lids, knives,
cutlery, spices

See pages 368-373



Shelf-Mounted Rollout Drawers

Bring back of cabinet
storage to your
fingertips

See pages 388-389



Lazy Susans

Single shelf lazy susans
rotate 360 degrees and
install on a shelf

See page 339

ideal for after cabinets are in place

EASY TO INSTALL

IN EXISTING CABINETS

Look for this symbol throughout our Organizer Selection for items that are easy to install after the cabinets are in place



Wall Cabinet Pullouts

Organize wall cabinets for foodstuffs and kitchen gadgets

See page 398



Door Mounted Spice Racks

2 styles available. Reclaim the cabinet door for storage

See page 406-407



Wire Stemware Rack

Install this rack under wall cabinets with just 2 screws

See page 410



Tipout Trays

No more false drawers in front of sinks

See page 374-375

ALSO AVAILABLE:

See our full line of easy-to-install 11 Minute Organizers, ideal for the DIY customer, on pages 397-410



Cleaning Supply Caddy

Organize cleaning supplies in this portable rollout basket

See page 416



Pullout Pot & Lid Organizers

Store cookware within reach, easily installs with just 4 screws

See page 417

Organizer Benefits Video

Show your customers how they can incorporate organizers into their dream kitchens by showing this video either on our website (www.HardwareResources.com), our Vimeo account (<https://vimeo.com/HardwareResources>) or download for use on your showroom TVs.



Scan to watch the benefits video
<http://delivr.com/24FXP>



Installation Videos

Installation videos for many of our organizers can be found on our website and also on our Vimeo channel.



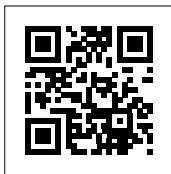
Look for this symbol throughout our catalog to jump to the video



Scan to watch the installation video
<http://delivr.com/2fz83>



Video Resources



Organizers Overview
vimeo.com/154315251



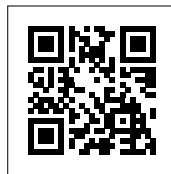
Some things shouldn't wiggle (BPO2)
vimeo.com/181622344



No Wiggle Pullout (BPO2) Comparison Video
vimeo.com/179339278



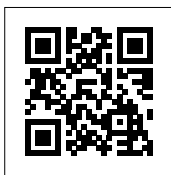
No Wiggle Pullout (BPO2) Installation + Tips Video
vimeo.com/180934686



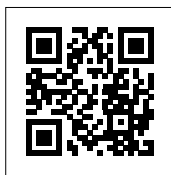
Blind Corner Swingout (BCSO) Installation Video
vimeo.com/217732515



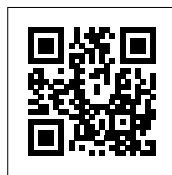
Blind Corner Pullout (CS-SHM) Installation Video
vimeo.com/138979481



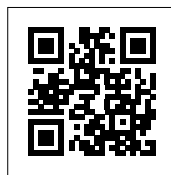
Sliding Door Corner Organizer (CS-SDCO) Installation Video
vimeo.com/138977318



Easy Susan (CS-ES360) Installation Video
vimeo.com/138980424



Round Lazy Susan Kit with Twist & Lock Pole (LSR2) Installation Video
vimeo.com/198414071



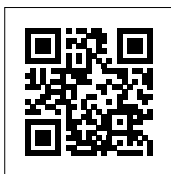
Kidney Lazy Susan Kit with Twist & Lock Pole (LSK2) Installation Video
vimeo.com/198413723



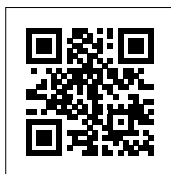
Single Shelf Lazy Susans (LSK-S) Installation Video
vimeo.com/198413388



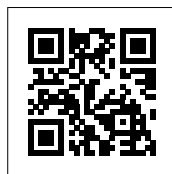
Round Plastic Lazy Susans with Twist & Lock Pole (PLS) Installation Video
vimeo.com/166805283



Economy Banded Lazy Susan Kits (BLSR2) Installation Video
vimeo.com/107958473



Plastic Lazy Susans with Chrome Hubs and Twist & Lock Pole (PLSM) Installation Video
vimeo.com/198411317



Economy Plastic Lazy Susans with Twist & Lock Pole (PLSR2) Installation Video
vimeo.com/198410221



Pie-cut Lazy Susan Installation Video
vimeo.com/246822235



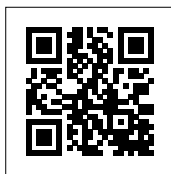
Half-moon Lazy Susan Installation Video
vimeo.com/238951023



Top Mount Trash Can System (CAN-TM) Installation Video
vimeo.com/138980671



Wood Bottom Mount Trash Can System (CAN-WBM) Installation Video
vimeo.com/198411837



Wood Bottom Mount Trash Can System with Door Brackets (CDM-WBM) Installation Video
vimeo.com/198413216



Chrome Pantry Pullout (CPPO) Installation Video
vimeo.com/138979659



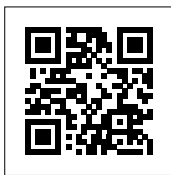
Chrome Pantry Swingout (CPSO) Installation Video
vimeo.com/138979839



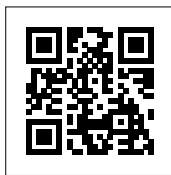
Wood Pantry Swingout & Door Mount (PSO & PDM) Installation Video
vimeo.com/138980578



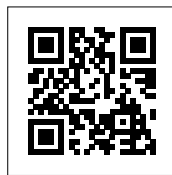
Wood Pantry Pullout (PPO2) Installation Video
vimeo.com/198408615



Double Cutlery Drawer (CD15) Installation Video
vimeo.com/138980141



Rollouts and Highbacks Product Overview Video
vimeo.com/124835512



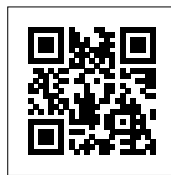
Appliance/Mixer Lift (ML-1) Installation Video
vimeo.com/224538954



SWS Pot/Lid Installation Video
vimeo.com/248331955



SWS Trash Can Installation Video
vimeo.com/248331963



SWS Baskets Installation Video
vimeo.com/294441085

STORAGE with STYLE™



Base Filler Pullout



Pot & Lid Organizer Pullout



Stylish finish options:
designer finishes Black Nickel and Polished
Chrome to coordinate with other hardware

DESIGNER ORGANIZER COLLECTION



Double and Single
Trash Can Pullout



Design is in the details:
matching design details in curved
flat wire across all products

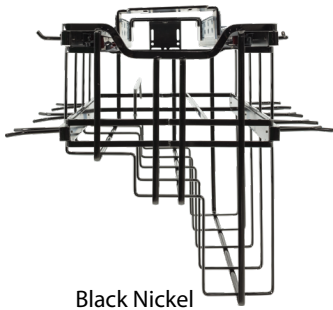


Pullout Basket and
Pilaster System

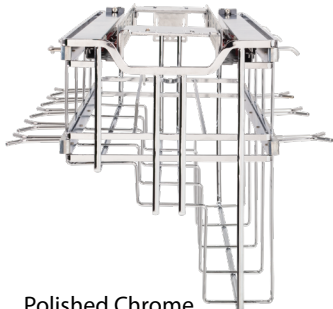


STORAGE with STYLE™

Scan to watch the installation video
<http://delivr.com/23y5t>



Black Nickel



Polished Chrome

Designed to prevent pans from banging together, keeping them from being damaged and preventing unwanted noise

Top mounting, leaves bottom of the cabinet accessible for additional storage

Hooks are adjustable for full customization

Integrated lid storage

Smooth, soft-closing slides

Sleek modern metal design

Available in two finishes:

Polished Chrome & Black Nickel

For face frame or frameless cabinets

Works in inset applications

*Patents pending

	Frame Color	Width	Depth	Height	Min. Opening	Standard Cab. Size	Ctn Qty
SWS-PO21BN NEW	Black Nickel	15-5/8"	22-5/8"	13-7/16"	21"	24" base or larger	1
SWS-PO21PC NEW	Polished Chrome	15-5/8"	22-5/8"	13-7/16"	21"	24" base or larger	1

Recommended screw:

screws included



Scan to watch the installation video
<http://delivr.com/2cjqh>

STORAGE with STYLE™



Integrated 6-way adjustable door mounting brackets

Polished Chrome

Black Nickel

- Ships with grey 35qt trash cans
- Smooth, soft-closing slides
- Sleek modern metal design
- Available in two finishes:
 Polished Chrome & Black Nickel
- Integrated patented* 6-way adjustable door mounting brackets
- For face frame or frameless cabinets, designed to work in inset applications

*US Patent 9,848,700, other patents pending

Description	Frame Color	Can Color	Width	Depth	Height	Min. Opening	Standard Cab. Size	Ctn Qty
SWS-MBMD35GBN NEW Double 35 qt	Black Nickel	Grey	14-15/16"	21-13/16"	19-13/16"	15"	18" base	1
SWS-MBMD35GPC NEW Double 35 qt	Polished Chrome	Grey	14-15/16"	21-13/16"	19-13/16"	15"	18" base	1

Recommended screw:

screws included

STORAGE with STYLE™



Polished Chrome



Scan to watch the installation video
<https://delivr.com/2eyqn>

- Integrated patented* 6-way adjustable door mounting brackets
- Smooth, soft-closing slides
- Sleek modern metal design
- Available in two finishes: Polished Chrome & Black Nickel
- For face frame or frameless cabinets
- Works in inset applications
- Removable grey acrylic liners for easy cleaning

*US Patent 9,723,922, other patents pending

	Description	Frame Color	Width	Depth	Height	Min. Opening	Standard Cab. Size	Ctn Qty
SWS-BPO5PC NEW	5" Wire Base Pullout	Polished Chrome	5-15/16"	21-5/16"	24-1/16"	6"	9" base or larger	1
SWS-BPO5BN NEW	5" Wire Base Pullout	Black Nickel	5-15/16"	21-5/16"	24-1/16"	6"	9" base or larger	1
SWS-BPO8PC NEW	8" Wire Base Pullout	Polished Chrome	8-15/16"	21-5/16"	24-1/16"	6"	12" base or larger	1
SWS-BPO8BN NEW	8" Wire Base Pullout	Black Nickel	8-15/16"	21-5/16"	24-1/16"	6"	12" base or larger	1

Recommended screw:

screws included

STORAGE with STYLE™



SWS-WB213PC
Polished Chrome



SWS-WB273BN
Black Nickel



Can be bottom mounted or side-mounted for face frame or frameless application

Stack multiple baskets with optional pilaster system

Smooth, soft-closing slides

Sleek modern metal design

Available in two finishes:

Polished Chrome & Black Nickel

Removable grey acrylic liners for easy cleaning



Scan to watch the installation video

<https://delivr.com/2eyqn>

*UPatents pending

	Description	Frame Color	Width	Depth	Height	Min. Opening	Standard Cab. Size	Ctn Qty
SWS-WB213PC NEW	Wire Pullout Basket	Polished Chrome	19-9/16"	22-1/16"	5-7/16"	21"	24" base	1
SWS-WB213BN NEW	Wire Pullout Basket	Black Nickel	19-9/16"	22-1/16"	5-7/16"	21"	24" base	1
SWS-WB273PC NEW	Wire Pullout Basket	Polished Chrome	25-9/16"	22-1/16"	5-7/16"	27"	30" base	1
SWS-WB273BN NEW	Wire Pullout Basket	Black Nickel	25-9/16"	22-1/16"	5-7/16"	27"	30" base	1
SWS-PILKITPC NEW	Pilaster System	Polished Chrome	1-1/4"	8/16"	21-1/2"	-	-	1
SWS-PILKITBN NEW	Pilaster System	Black Nickel	1-1/4"	8/16"	21-1/2"	-	-	1

Recommended screw:

screws included

Corner Solutions



Easy 360 Susan



Blind Corner Swingout
Pages 328-329



Blind Corner Sliding Door
Pages 330-331



Easy 360 Susan
Pages 332-333

Blind Corner Solutions

With Hardware Resources' blind corner solutions, previously unused cabinet space is a thing of the past. The variety of options available ensures that we have a solution that will fit your design and style.



Premium Wood Lazy Susan
Pages 334-338



Economy Plastic Lazy Susan
Page 343



Half-moon Lazy Susan
Page 345

Lazy Susan Corner Solutions

Hardware Resources' line of lazy susan corner solutions include tried-and-true round and kidney options in plastic and wood. Our Easy 360 Susan is a fresh and updated corner solution that is a hybrid of a lazy susan and pullout shelves.

Blind Corner Solutions: Swingout



BCSO215PCMP-LH
Maple non-slip shelf



BCSO215PCWD-LH
Walnut textured non-slip shelf



BCSO215BOWD-LH
Walnut textured non-slip shelf



BCSO215PCWH-LH
White non-slip shelf



BCSO215GWH-LH
White smooth shelf

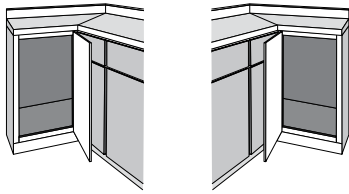


Scan to watch the
installation video
<http://delivr.com/288f6>



Blind Corner Solutions: Swingout

Do I need Left Hand or Right Hand?



Left Hand blind corners have the opening on the **left**.

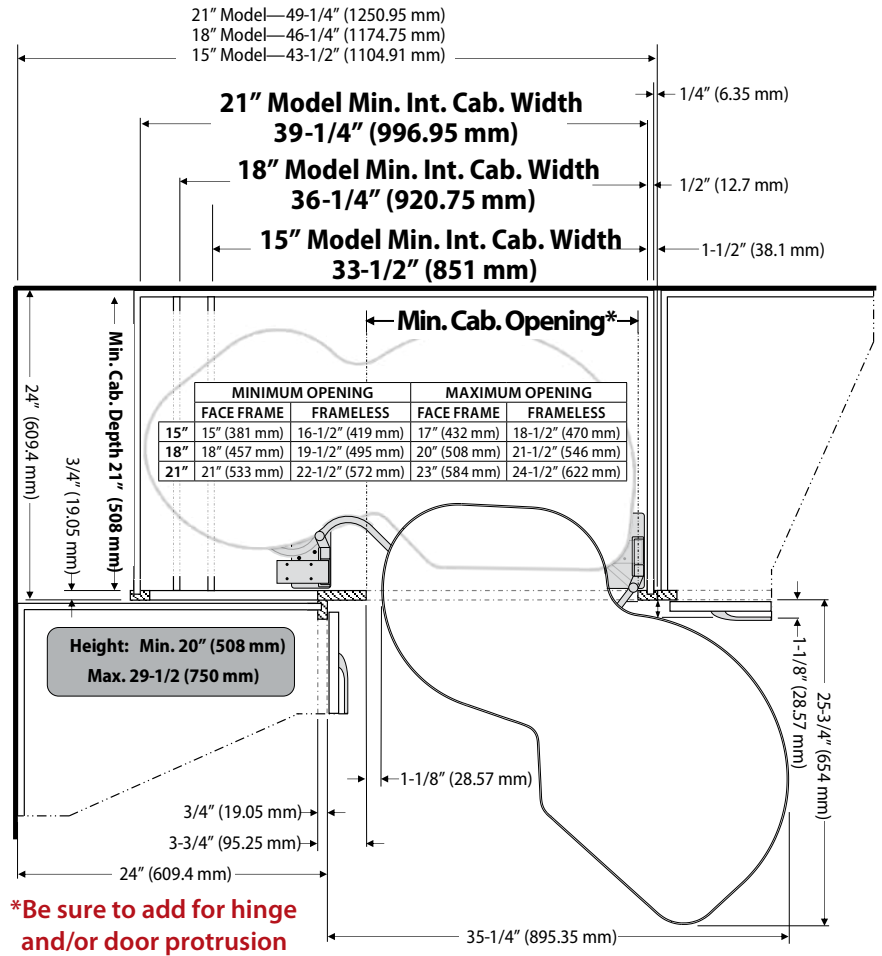
Right Hand blind corners have the opening on the **right**.

Sold as a complete unit in left- or right-handed versions for full-height base cabinets

Metal edging finishes coordinate with popular decorative hardware finishes

Easy installation – no need to drill into the side walls, mounts directly to cabinet floor with optional top mounting for additional stability

Installation instructions and mounting hardware included



Left Handed	Right Handed	Frame Color	Shelf Bottom/Edging	Shelf Dimensions	Ctn Qty
PREMIUM OPTIONS - NON-SLIP COATED SHELVES, PLATED EDGING					
BCSO215BOWD-LH	BCSO215BOWD-RH	Oil Rubbed Bronze	Walnut/Oil Rubbed Bronze	31-1/2" x 14-1/4"	1
BCSO215PCMP-LH	BCSO215PCMP-RH	Grey	Maple/Polished Chrome	31-1/2" x 14-1/4"	1
BCSO215PCWD-LH	BCSO215PCWD-RH	Grey	Walnut/Polished Chrome	31-1/2" x 14-1/4"	1
BCSO215PCWH-LH	BCSO215PCWH-RH	Grey	White/Polished Chrome	31-1/2" x 14-1/4"	1
BCSO218BOWD-LH	BCSO218BOWD-RH	Oil Rubbed Bronze	Walnut/Oil Rubbed Bronze	32-13/16" x 16-3/4"	1
BCSO218PCMP-LH	BCSO218PCMP-RH	Grey	Maple/Polished Chrome	32-13/16" x 16-3/4"	1
BCSO218PCWD-LH	BCSO218PCWD-RH	Grey	Walnut/Polished Chrome	32-13/16" x 16-3/4"	1
BCSO218PCWH-LH	BCSO218PCWH-RH	Grey	White/Polished Chrome	32-13/16" x 16-3/4"	1
BCSO221BOWD-LH	BCSO221BOWD-RH	Oil Rubbed Bronze	Walnut/Oil Rubbed Bronze	37-7/16" x 18-3/8"	1
BCSO221PCMP-LH	BCSO221PCMP-RH	Grey	Maple/Polished Chrome	37-7/16" x 18-3/8"	1
BCSO221PCWD-LH	BCSO221PCWD-RH	Grey	Walnut/Polished Chrome	37-7/16" x 18-3/8"	1
BCSO221PCWH-LH	BCSO221PCWH-RH	Grey	White/Polished Chrome	37-7/16" x 18-3/8"	1
ECONOMY OPTIONS - SMOOTH FINISH SHELVES, POWDER COATED EDGING					
BCSO215GWH-LH	BCSO215GWH-RH	Grey	White/Grey	31-1/2" x 14-1/4"	1
BCSO218GWH-LH	BCSO218GWH-RH	Grey	White/Grey	32-13/16" x 16-3/4"	1
BCSO221GWH-LH	BCSO221GWH-RH	Grey	White/Grey	37-7/16" x 18-3/8"	1

Blind Corner Solutions: Sliding Door

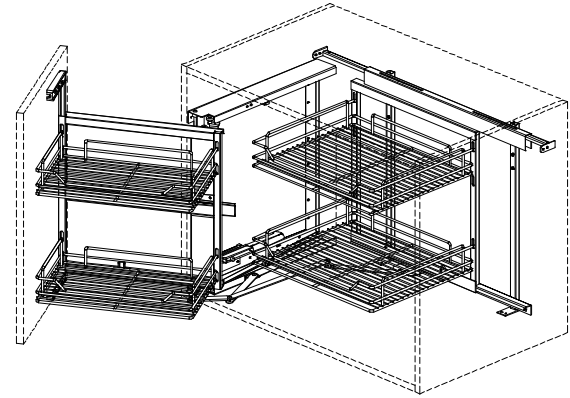


Scan to watch the
installation video
<http://delivr.com/22w9g>



Blind Corner Solutions: Sliding Door

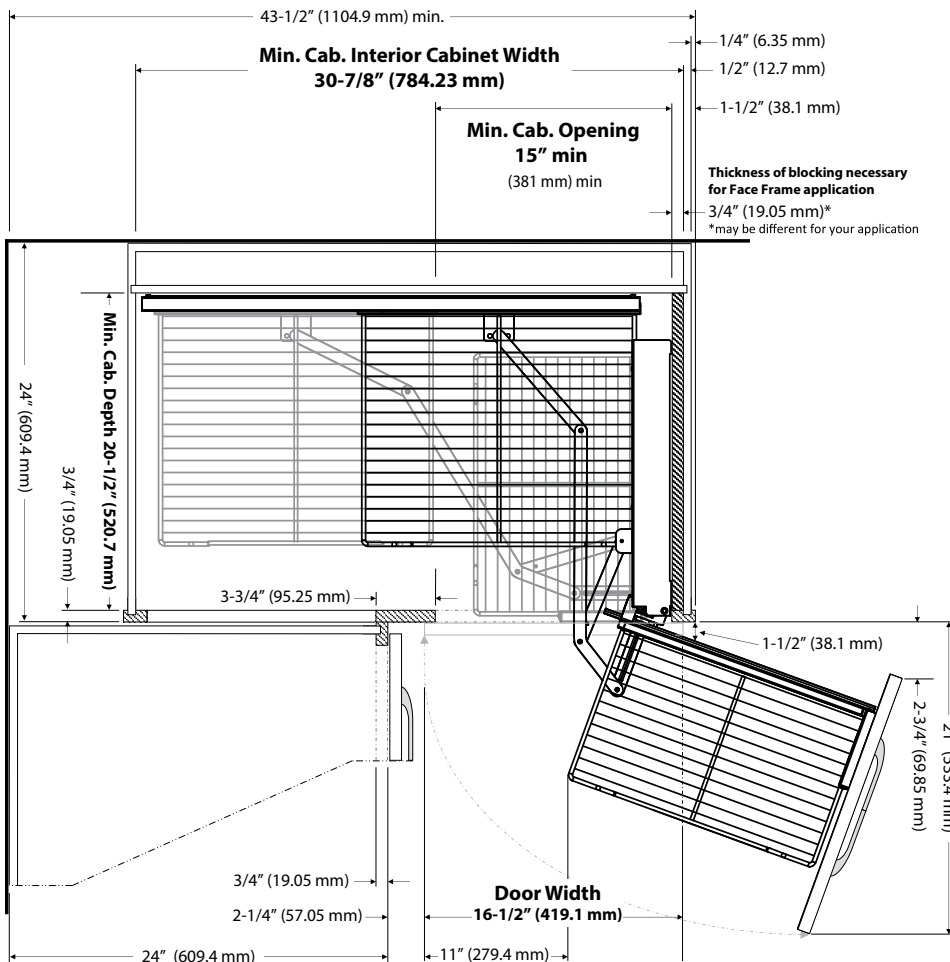
- 4 heavy gauge chrome baskets
- 4 non-slip clear acrylic basket liners
- Heavy duty soft-close slides with 200lb capacity
- Soft-close door damper
- Door mounting brackets with 6-way adjustment (in/out, up/down and left/right)
- Flexible mounting options: secure to side walls or top of cabinet with adjustable brackets
- Rear basket position is adjustable to accommodate different blind corner depths (from 30-7/8"-38")
- Universal design - mount it left- or right-handed
- For frameless cabinets - can be used in face frame with side wall blocking



Large basket: 17-15/32" (456 mm) W x 15-1/2" (394 mm) D x 3-11/32 (85 mm) H
 Small Basket: 17-5/32" (436 mm) W x 10-1/8" (257 mm) D x 3-11/32" (85 mm) H

	Width	Depth	Height	Cabinet Size	Ctn Qty
CS-SDCO	30-7/8- 38"	20-1/2"	21-5/8"	blind corner 15"-18" opening	1

Recommended screw: #6 pan head



Mount it with or without door attached.



Also great for dishes & small appliances

Corner Solutions: Easy 360 Susan

360°
rotating



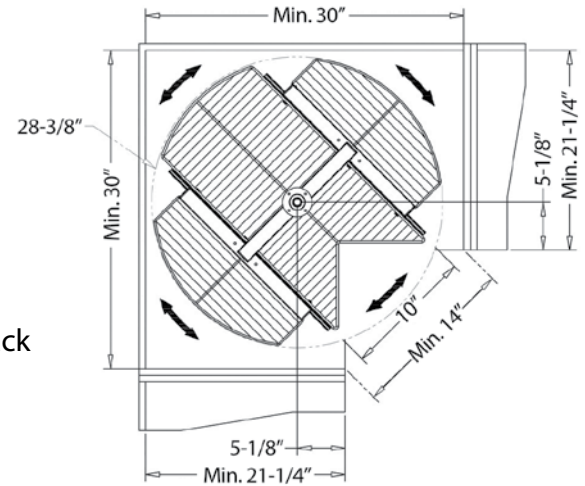
Scan to watch the
installation video
<http://delivr.com/2vcyq>



Corner Solutions: Easy 360 Susan

Transform the corner cabinet from cumbersome to a versatile usable space by combining the convenience of a drawer with the benefits of a lazy susan.

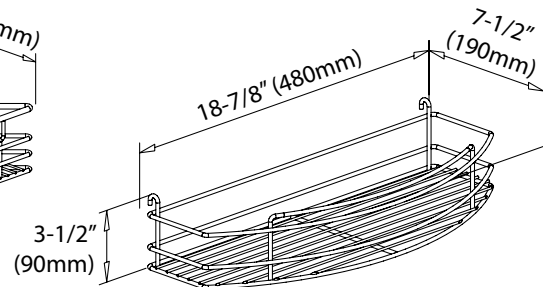
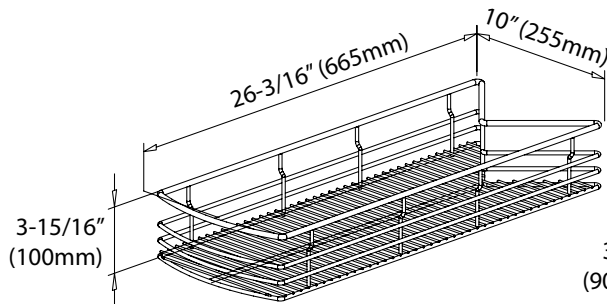
- 6 heavy gauge chrome baskets
- 6 non-slip clear acrylic basket liners
- Full circle 360 degree rotation, left or right
- Sliding center baskets are accessible from either front or back
- Heavy duty 175lb total capacity
- Adjustable height 24" to 30" inches
- Dependently rotating shelves



Cabinet requirements:
 Diameter - 30"
 Depth - 21-1/4"
 Pie Cut diagonal opening* - 14"
 *Be sure to add for hinge and/or door protrusion

	Diameter	Height	Cabinet Size	Ctn Qty
CS-ES360	28-3/8"	24-13/16"-30"	30" corner	1

Recommended screw: #6 pan head



Corner Solutions: Premium Wood Lazy Susan Kits



Scan to watch the
installation video
<http://delivr.com/276SA>



Corner Solutions: Premium Wood Lazy Susan Kits

Cabinet
Organizers

- Lazy susan shelf is made from birch plywood with UV finish
- Solid birch fingerjointed rim
- Shelves have a 1" inside rim height and 1-5/8" overall height
- Independently rotating shelves
- Positive stop on kidney shelf units
- Chrome-plated pole with stylish chrome hubs featuring adjustable height
- Sold as complete set with shelves, poles, mounting hardware and instructions included



Round	# Trays	Diameter	Interior Cabinet Height	Ctn Qty
LSR218-SET	2	18"	21-1/2"-37-1/4"	1
LSR224-SET	2	24"	21-1/2"-37-1/4"	1
LSR228-SET	2	28"	21-1/2"-37-1/4"	1
LSR2318-SET	3	18"	31-1/2"-43"	1

Kidney	# Trays	Diameter	Interior Cabinet Height	Ctn Qty
LSK224-SET	2	24"	21-1/2"-37-1/4"	1
LSK228-SET	2	28"	21-1/2"-37-1/4"	1
LSK232-SET	2	32"	21-1/2"-37-1/4"	1

Corner Solutions: Premium Wood Shelves & Poles



*Poles & Shelves
Sold Separately*



Shelves

	Diameter	Height	Ctn Qty
LSR18	18" with hole	1-5/8"	4
LSR24	24" with hole	1-5/8"	4
LSR28	28" with hole	1-5/8"	4

Recommended screw: #6 pan head

- Constructed with strong 5/8" thick birch plywood base and 1" inside height solid birch fingerjointed rim
- Clear UV finish
- Ships with 1-1/2" center hole for pole installation

Poles

	Height	Ctn Qty
LSP2-1 (2 shelves)	24-1/2"-32-3/4"	10
LSP2-3 (3 shelves)	37-3/8"-46"	10

Recommended screw: #8 pan head

- 1" diameter steel pole system for 2 or 3 round shelves
- All shelves feature positive stop
- Chrome pole and beige polymer bearings blend with wooden susans and match any application
- Independently rotating hubs
- For use with round or kidney shelves

Corner Solutions: Premium Wood Shelves & Poles

Cabinet
Organizers



*Poles & Shelves
Sold Separately*

Poles	Height	Ctn Qty
LSP2 (2 shelves)	16-1/2"	4
Recommended screw:		#8 pan head



Heavy duty steel pole system for 2 kidney shelves, measures 16-1/2" in overall height with shelves installed

Kidney with 1-1/2" hole installs to bottom shelf, kidney without hole installs to top shelf – both shelves feature positive stop to self-align with pie corner

Powdercoated almond finish blends with wooden trays and matches most applications

Shelves	Diameter	Height	Ctn Qty
LSK24	24"	1-5/8"	4
LSK28	28"	1-5/8"	4
LSK32	32"	1-5/8"	4
LSK24H	24" with hole	1-5/8"	4
LSK28H	28" with hole	1-5/8"	4
LSK32H	32" with hole	1-5/8"	4

Recommended screw: #6 pan head

Constructed with strong 5/8" thick birch plywood base and 1" inside height solid birch fingerjointed rim

Clear UV finish

Available with and without 1-1/2" center hole for shelf or pole installation

Corner Solutions: Premium Wood Swivel Lazy Susans



Round	Diameter	Shelf Height	Swivel Size	Ctn Qty
LSR18-S	18"	1-5/8"	7"	4
LSR24-S	24"	1-5/8"	7"	4
LSR28-S	28"	1-5/8"	10"	4

Lazy susan made from strong 5/8" birch plywood base with 1" inside height solid birch fingerjointed rim, all with a clear UV finish

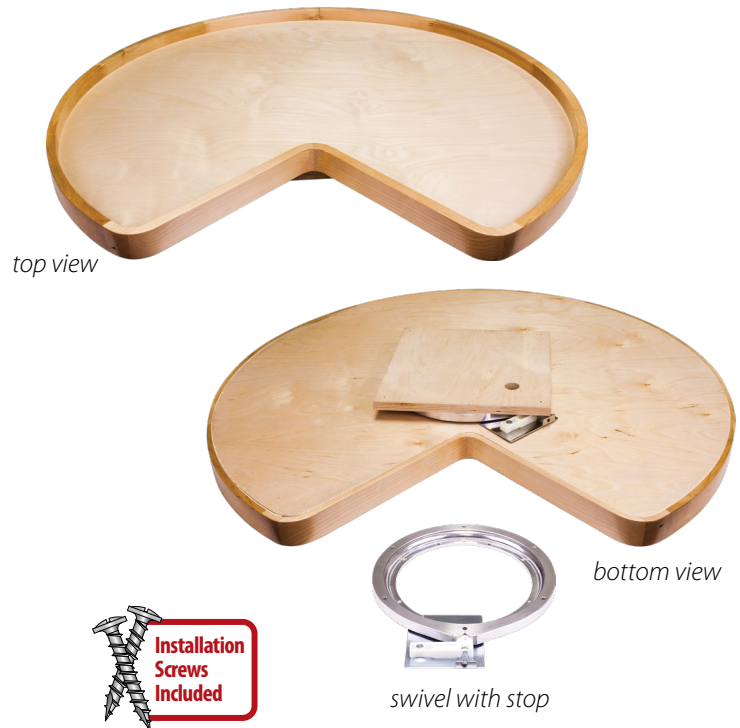
Preinstalled with a high quality cast aluminum swivel with solid steel bearings

Swivel is non-stop for continuous smooth revolutions

Easy to install, minimal installation time, 4 screws included

Matching color plastic cap included to cover installation hole in lazy susan

Kidney	Diameter	Shelf Height	Swivel Size	Ctn Qty
LSK28-S	28"	1-5/8"	10" with stop	4
LSK32-S	32"	1-5/8"	10" with stop	4



Lazy susan made from strong 5/8" birch plywood base with 1" inside height solid birch fingerjointed rim, all with a clear UV finish

Preinstalled with a high quality cast aluminum swivel with solid steel bearings

360° swivel with stop

Easy to install, minimal installation time, 4 screws included

Scan to watch the installation video
<http://delivr.com/2GNPF>



Corner Solutions: Economy Wire Swivel Lazy Susans

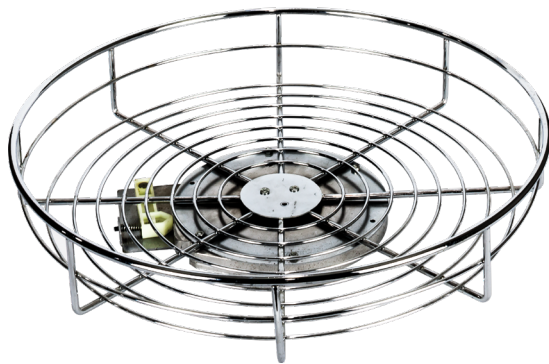
Cabinet
Organizers

360°
rotating

Installation
Screws
Included



EASY TO INSTALL
IN EXISTING CABINETS



360 degree revolving tray
Great for organizing dry goods and cans
Fits 24" diagonal wall corner cabinet
Heavy duty wire construction
Quickly mounts to cabinet floor or fixed shelf using four screws (included)

	Description	Finish	Diameter	Height	Fits Standard Cabinet Size	Ctn Qty
MLSR18-S-R	Single Shelf Lazy Susan	Polished Chrome	17-5/16"	3-13/16"	24" diagonal wall corner	1

Corner Solutions: Economy Banded Swivel Lazy Susans



Round	Diameter	Swivel Size	Ctn Qty
BLSR18-S	18"	8"	4
BLSR20-S	20"	8"	4
BLSR24-S	24"	8"	4
BLSR28-S	28"	9"	4



top view



bottom view

Lazy susan made from birch plywood with clear UV finish
 1" inside rim height and 1-9/16" overall height
 Preinstalled with a steel swivel
 Swivel is nonstop for continuous smooth revolutions
 Easy to install, minimal installation time, 4 screws included
 Matching color plastic cap included to cover installation hole in lazy susan

Kidney	Diameter	Swivel Size	Ctn Qty
BLSK28-S	28"	8" with stop	4
BLSK32-S	32"	9" with stop	4



top view



bottom view

Lazy susan made from birch plywood with clear UV finish
 1" inside rim height and 1-9/16" overall height
 Preinstalled with a steel swivel
 360° swivel with stop
 Easy to install, minimal installation time, 4 screws included

Scan to watch the installation video

<http://delivr.com/2M9W7>



Corner Solutions: Economy Banded Lazy Susan Kits



Scan to watch the
installation video
<http://delivr.com/2U78U>



Round	# Trays	Diameter	Interior Cabinet Height	Ctn Qty
BLSR218-SET	2	18"	24-1/2"–32-3/4"	1
BLSR220-SET	2	20"	24-1/2"–32-3/4"	1
BLSR224-SET	2	24"	24-1/2"–32-3/4"	1
BLSR228-SET	2	28"	24-1/2"–32-3/4"	1
BLSR2318-SET	3	18"	37-3/8"–46"	1
BLSR2320-SET	3	20"	37-3/8"–46"	1

Kidney	# Trays	Diameter	Interior Cabinet Height	Ctn Qty
BLSK224-SET	2	24"	24-1/2"–32-3/4"	1
BLSK228-SET	2	28"	24-1/2"–32-3/4"	1
BLSK232-SET	2	32"	24-1/2"–32-3/4"	1

- Shelf is made from birch plywood with clear UV finish
- Shelves have a 1" inside rim height and 1-9/16" overall height
- Independently rotating shelves
- Chrome pole with beige polymer bearings that blend with wooden shelves
- Pole features adjustable shelves
- Positive stop on kidney shelf units
- Height adjustable for cabinets with 25-3/4" - 32-3/4" interior heights (37-3/8" - 46" for 3 tier)
- Sold as complete set with shelves, poles, mounting hardware and instructions included

Corner Solutions: Plastic Lazy Susan with Chrome Hub Kits



Independently rotating shelves featuring smooth surface area

Chrome-plated stainless steel pole with chrome-plated hubs and adjustable height

Pole features adjustable shelves

Positive stop on kidney shelf units

18" diameter shelves have 1-7/16" overall rim height and 9/16" inside rim height

24" and 28" diameter shelves have 1-7/8" overall rim height and 1" inside rim height

32" diameter shelves have 2-1/8" overall rim height and 1-3/8" inside rim height

Sold as complete set with shelves, poles, mounting hardware and instructions included



Round

	# Trays	Diameter	Interior Cabinet Height	Ctn Qty
PLSMR18	2	18"	21-1/2"-37-1/4"	1
PLSMR24	2	24"	21-1/2"-37-1/4"	1
PLSMR28	2	28"	21-1/2"-37-1/4"	1
PLSMR318	3	18"	31-1/2"-43"	1

Kidney

	# Trays	Diameter	Interior Cabinet Height	Ctn Qty
PLSMK24	2	24"	21-1/2"-37-1/4"	1
PLSMK28	2	28"	21-1/2"-37-1/4"	1
PLSMK32	2	32"	21-1/2"-37-1/4"	1

Corner Solutions: Economy Plastic Lazy Susan Kits



Scan to watch the installation video
<http://delivr.com/2XKDZ>



Round	# Trays	Diameter	Interior Cabinet Height	Ctn Qty
PLSR218	2	18"	21-1/2"–37-1/4"	1
PLSR224	2	24"	21-1/2"–37-1/4"	1
PLSR228	2	28"	21-1/2"–37-1/4"	1
PLSR2318	3	18"	31-1/2"–43"	1



Kidney	# Trays	Diameter	Interior Cabinet Height	Ctn Qty
PLSK224	2	24"	21-1/2"–37-1/4"	1
PLSK228	2	28"	21-1/2"–37-1/4"	1
PLSK232	2	32"	21-1/2"–37-1/4"	1

Independently rotating shelves featuring smooth surface area

Chrome-plated stainless steel pole with white polymer hubs and adjustable height

Pole features adjustable shelves

Positive stop on kidney shelf units

18" diameter shelves have 1-7/16" overall rim height and 9/16" inside rim height

24" and 28" diameter shelves have 1-7/8" overall rim height and 1" inside rim height

32" diameter shelves have 2-1/8" overall rim height and 1-3/8" inside rim height

Sold as complete set with shelves, poles, mounting hardware and instructions included

Corner Solutions: Plastic Pie-cut Lazy Susan

NEW



Scan to watch the
installation video
<http://delivr.com/285UG>



- Door attaches directly to lazy susan
- Available in 24" and 28" diameters
- Patented* height adjustment wheel for fine tuning that is easily accessible
- Cardboard template to streamline installation
- Twist and lock pole
- Designed for inset door application
- *US Patent 9,936,805



Description	Dimeter	Height	Standard Cabinet Size	Ctn Qty
PLSP24 NEW 24" diameter pie-cut lazy susan with 2 shelves	24"	adjustable 25-7/8"-32"	lazy susan base corner	1
PLSP28 NEW 28" diameter pie-cut lazy susan with 2 shelves	28"	adjustable 25-7/8"-32"	lazy susan base corner	1

Recommended screw:

installation screws included

NEW

Corner Solutions: Half-moon Lazy Susan

**Cabinet
Organizers**



One model for both left-hand and right-hand installs

Shelves mount from underside, for a clean look and ease of cleaning

Gives easy access to the hard to reach areas of a blind corner

Available in wood or plastic shelves

Available in 3 sizes: 15", 18" and 21"

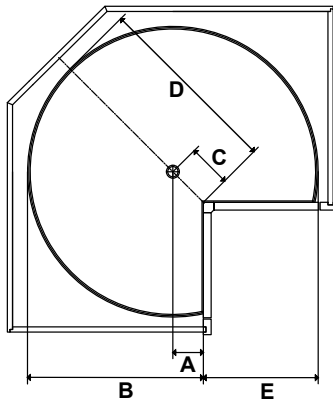


	Description	Width	Depth	Height	Min. Opening	Standard Cabinet Size	Ctn Qty
WOOD SETS	HMLS-W-3212 NEW 32" Half-Moon Lazy Susan Set - Wood Trays	31-1/16"	14-1/4"	17-9/16"	12"	blind corner	1
	HMLS-W-3515 NEW 35" Half-Moon Lazy Susan Set - Wood Trays	33-9/16"	17-3/16"	17-9/16"	15"	blind corner	1
	HMLS-W-3818 NEW 38" Half-Moon Lazy Susan Set - Wood Trays	37-11/16"	19-11/16"	17-9/16"	18"	blind corner	1
PLASTIC SETS	HMLS-P-3212 NEW 32" Half-Moon Lazy Susan Set - Plastic Trays	31-1/16"	14-1/4"	18-3/16"	12"	blind corner	1
	HMLS-P-3515 NEW 35" Half-Moon Lazy Susan Set - Plastic Trays	33-9/16"	17-3/16"	18-3/16"	15"	blind corner	1
	HMLS-P-3818 NEW 38" Half-Moon Lazy Susan Set - Plastic Trays	37-11/16"	19-11/16"	18-3/16"	18"	blind corner	1

Recommended screw:

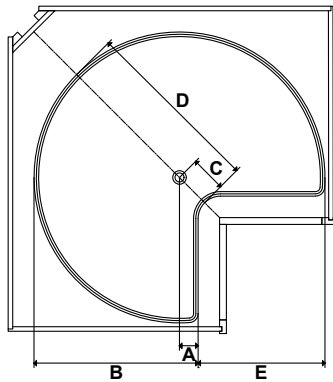
installation screws included

Lazy Susan Spec Drawings



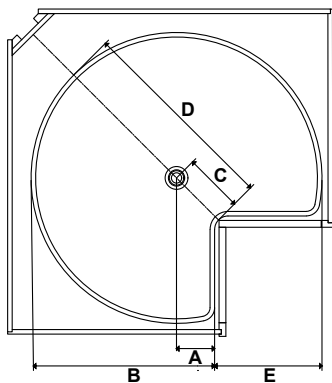
Pie Cut Lazy Susans

Shelf	Series	A	B	C	D	E
24" Pie Cut	PLSP24	1-5/16"	13-3/8"	1-3/4"	13-15/16"	10-5/8" + 1/8" GAP
28" Pie Cut	PLSP28	2-15/16"	16-15/16"	4-5/32"	18-5/32"	11-1/8" + 1/8" GAP



Plastic Lazy Susans - Kidney

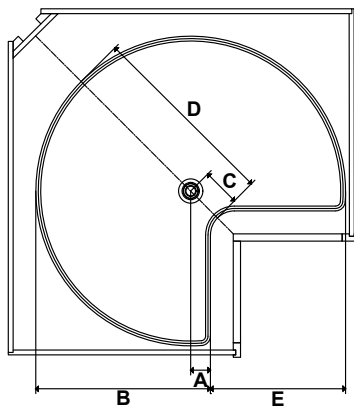
Shelf	Series	A	B	C	D	E
24" Kidney	PLSK224	2-1/16"	14-1/16"	3-15/16"	15-15/16"	9-15/16"
28" Kidney	PLSK228	2-1/16"	16-1/16"	3-13/32"	17-13/32"	11-15/16"
32" Kidney	PLSK232	2-1/16"	18-1/16"	3-29/32"	19-29/32"	13-15/16"



Wood Banded Lazy Susans - Kidney

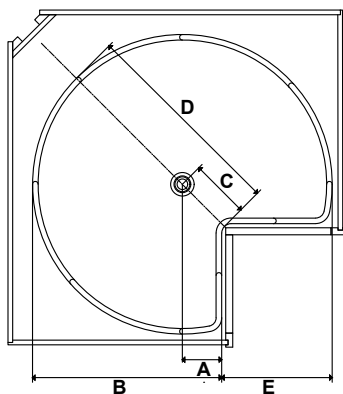
Shelf	Series	A	B	C	D	E
24" Kidney	BLSK224	1-29/32"	13-29/32"	2-23/32"	14-23/32"	10-3/32"
28" Kidney	BLSK228	3-1/32"	17-1/32"	4-9/32"	18-9/32"	10-31/32"
32" Kidney	BLSK232	4-3/16"	20-3/16"	5-15/16"	21-15/16"	11-13/16"

Lazy Susan Spec Drawings



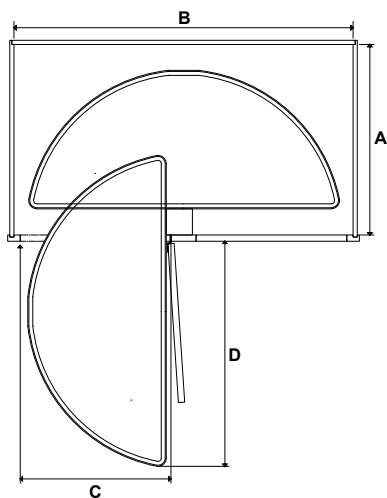
Plastic Lazy Susans with Chrome Metal Hubs

Shelf	Series	A	B	C	D	E
24" Kidney	PLSMK24	2-1/16"	14-1/16"	3-15/16"	15-15/16"	9-15/16"
28" Kidney	PLSMK28	2-1/16"	16-1/16"	3-13/32"	17-13/32"	11-15/16"
32" Kidney	PLSMK32	2-1/16"	18-1/16"	3-29/32"	19-29/32"	13-15/16"



Premium Wood Lazy Susans - Kidney

Shelf	Series	A	B	C	D	E
24" Kidney	LSK224	1-29/32"	13-29/32"	2-23/32"	14-23/32"	10-3/32"
28" Kidney	LSK228	3-1/32"	17-1/32"	4-9/32"	18-9/32"	10-31/32"
32" Kidney	LSK232	4-3/16"	20-3/16"	5-15/16"	21-15/16"	11-13/16"



Half-Moon Lazy Susans

Shelf	Series	A	B	C	D
32" Plastic Half-Moon	HMLS-P-3512	22-1/2"	34-1/2"	12"	20-1/2"
35" Plastic Half-Moon	HMLS-P-3515	22-1/2"	37"	15"	22-9/16"
38" Plastic Half-Moon	HMLS-P-3518	22-1/2"	39-1/2"	18"	26-7/8"
32" Wood Half-Moon	HMLS-W-3512	22-1/2"	34-1/2"	12"	20-1/2"
35" Wood Half-Moon	HMLS-W-3515	22-1/2"	37"	15"	22-9/16"
38" Wood Half-Moon	HMLS-W-3518	22-1/2"	39-1/2"	18"	26-7/8"

Waste Container Solutions



Wire Bottom Mount
Page 355



Stylish Trash Can Pullout
Page 323



Wood Top Mount with Soft-close
Page 353

Waste Container Solutions

Neatly tuck away trash cans with a Hardware Resources waste container solution. From top or bottom mount options to premium wood or economy wire, we have a solution that will enhance your design and optimize the budget.



Wood Bottom Mount
Page 352



Wood Bottom Mount with Door Kit
Page 350-351



Wood & Metal Bottom Mount
Page 354

Waste Container Solutions: Wood Bottom Mount with Door Kit



- Designed for cabinets with 12" (single) or 15" (double) minimum opening width
- Features patented* 6-way adjustable door mounting brackets for ease of door installation
- Ships fully preassembled and quickly mounts to cabinet floor using four screws
- Features 100 lb full extension soft-closing concealed undermount slides
- UV coated edgebanded birch plywood construction
- Ships with one or two heavy duty polymer trash cans in 35 qt or 50 qt and in black, white or grey finishes.
- Note:** full height base cabinet needed if using 50 qt trash cans
- *US Patent 9,723,922

	Description	Can Color	Width	Depth	Height	Min. Opening	Standard Cab. Size	Ctn Qty
CDM-WBMS35B	Single 35 qt	Black	12"	21-3/8"	19-3/4"	12"	15" base	1
CDM-WBMS35WH	Single 35 qt	White	12"	21-3/8"	19-3/4"	12"	15" base	1
CDM-WBMS35G	Single 35 qt	Grey	12"	21-3/8"	19-3/4"	12"	15" base	1
CDM-WBMD35B	Double 35 qt	Black	15"	21-3/8"	19-3/4"	15"	18" base	1
CDM-WBMD35WH	Double 35 qt	White	15"	21-3/8"	19-3/4"	15"	18" base	1
CDM-WBMD35G	Double 35 qt	Grey	15"	21-3/8"	19-3/4"	15"	18" base	1
CDM-WBMS50B	Single 50 qt	Black	12"	21-3/8"	24"	12"	15" base	1
CDM-WBMS50WH	Single 50 qt	White	12"	21-3/8"	24"	12"	15" base	1
CDM-WBMS50G	Single 50 qt	Grey	12"	21-3/8"	24"	12"	15" base	1
CDM-WBMD50B	Double 50 qt	Black	15"	21-3/8"	24"	15"	18" base	1
CDM-WBMD50WH	Double 50 qt	White	15"	21-3/8"	24"	15"	18" base	1
CDM-WBMD50G	Double 50 qt	Grey	15"	21-3/8"	24"	15"	18" base	1

Recommended screw:

screws included





Waste Container Solutions: Wood Bottom Mount with Door Kit

Cabinet
Organizers

What makes a great trash can pullout?



Cans available
in 2 sizes and
3 colors

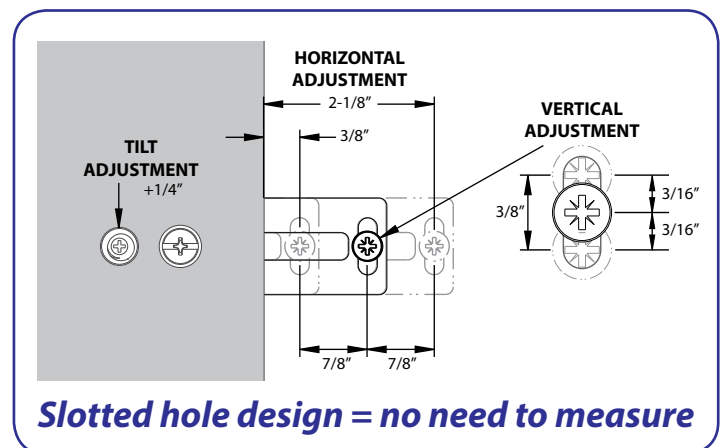
UV Coated
White Birch
material

Dovetail
joints

Ships fully assembled
& quickly mounts to cabinet
floor with 4 screws

Integrated 6-way
adjustable door
mounting brackets

Concealed soft-close
slides included



Patented mounting hardware
US Patent 9,723,922

Waste Container Solutions: Wood Bottom Mount



EASY TO INSTALL
IN EXISTING CABINETS



Ships fully preassembled and quickly mounts to cabinet floor using four screws

Designed for cabinets with 12" (single) or 15" (double) minimum opening width

Features 100 lb full extension soft-closing concealed undermount slides

UV coated edgebanded birch plywood construction

Single unit includes chrome-plated wire basket for storage of trash bags

Ships with one or two heavy duty polymer trash cans in 35 qt or 50 qt and in black, white or grey finishes.

Note: full height base cabinet needed if using 50 qt trash cans



	Description	Can Color	Width	Depth	Height	Min. Opening	Standard Cab. Size	Ctn Qty
CAN-WBMS35B	Single 35 qt	Black	12"	21-3/8"	19-3/4"	12"	15" base	1
CAN-WBMS35WH	Single 35 qt	White	12"	21-3/8"	19-3/4"	12"	15" base	1
CAN-WBMS35G	Single 35 qt	Grey	12"	21-3/8"	19-3/4"	12"	15" base	1
CAN-WBMD35B	Double 35 qt	Black	15"	21-3/8"	19-3/4"	15"	18" base	1
CAN-WBMD35WH	Double 35 qt	White	15"	21-3/8"	19-3/4"	15"	18" base	1
CAN-WBMD35G	Double 35 qt	Grey	15"	21-3/8"	19-3/4"	15"	18" base	1
CAN-WBMS50B	Single 50 qt	Black	12"	21-3/8"	24"	12"	15" base	1
CAN-WBMS50WH	Single 50 qt	White	12"	21-3/8"	24"	12"	15" base	1
CAN-WBMS50G	Single 50 qt	Grey	12"	21-3/8"	24"	12"	15" base	1
CAN-WBMD50B	Double 50 qt	Black	15"	21-3/8"	24"	15"	18" base	1
CAN-WBMD50WH	Double 50 qt	White	15"	21-3/8"	24"	15"	18" base	1
CAN-WBMD50G	Double 50 qt	Grey	15"	21-3/8"	24"	15"	18" base	1

Recommended screw:

screws included

Waste Container Solutions: Wood Top Mount with Soft-close

Cabinet
Organizers



Scan to watch the
installation video
<http://delivr.com/22ekj>



*US Patent X,XXX,XXX

- Features 100 lb soft-close ball bearing slides
- Self-adjusting back brackets included for face-frame application
- Included trash can ring allows for use with either a 35 qt or 50 qt can*
- Door mounting bracket included with horizontal and vertical adjustments
- Single can units come with a stainless steel basket to hold trash bags
- Solid white birch construction with clear UV finish
- Cans sold separately (see page 344)
- Note:** full height base cabinet needed if using 50 qt trash cans



- NEW** 15" double 35 qt fits in 15" opening and can be mounted using patented* 6-way adjustable mounting brackets under a drawer

	Description	Width	Depth	Height*	Min. Opening	Standard Cab. Size	Ctn Qty
CAN-TMSC-12	Single 35 qt or 50 qt	12"	21-5/8"	3-1/4"	12"	15" base	1
CAN-TMSC-15	Single 35 qt or 50 qt	15"	21-5/8"	3-1/4"	15"	18" base	1
CAN-TMDSC-15	NEW Double 35 qt	15"	21-3/4"	8-9/16"	15"	18" base	1
CAN-TMDSC-18	Double 35 qt or 50 qt	18"	21-5/8"	3-1/4"	18"	21" base	1
CAN-TMDSC-21	Double 35 qt or 50 qt	21"	21-5/8"	3-1/4"	21"	24" base	1

Recommended screw:

#8 flat head

Height does not include cans. Height with can is same as can height. See page 344 for cans.

*Trash can ring not included for CAN-TMDSC-15.



Waste Container Solutions: Wood & Metal Bottom Mount



EASY TO INSTALL
IN EXISTING CABINETS



- Designed for cabinets with 15" (single) or 18" (double) minimum opening width
 - Ships fully preassembled and quickly mounts to cabinet floor using four screws
 - Built on a metal drawer box system featuring 100 lb full extension soft-closing concealed undermount slides
 - Sleek design featuring epoxy-coated grey metallic drawer sides and UV coated edgebanded birch plywood front, back and bottom panels
 - Drawer front features tall frame with scoop handle
 - Can be mounted directly to cabinet door
 - Ships with one or two heavy duty plastic trash cans in 35 qt or 50 qt and in black, white or grey finishes.
- Note:** full height base cabinet needed if using 50 qt trash cans



	Description	Can Color	Width	Depth	Height	Min. Opening	Standard Cab. Size	Ctn Qty
CAN-MDBS	Single 35 qt	Black	12-1/2"	21-1/8"	19-5/8"	15"	18" base	1
CAN-MDBSW	Single 35 qt	White	12-1/2"	21-1/8"	19-5/8"	15"	18" base	1
CAN-MDBS35G	Single 35 qt	Grey	12-1/2"	21-1/8"	19-5/8"	15"	18" base	1
CAN-MDB	Double 35 qt	Black	17"	21-1/8"	19-5/8"	18"	21" base	1
CAN-MDBW	Double 35 qt	White	17"	21-1/8"	19-5/8"	18"	21" base	1
CAN-MDB35G	Double 35 qt	Grey	17"	21-1/8"	19-5/8"	18"	21" base	1
CAN-MDBS50	Single 50 qt	Black	12-1/2"	21-1/8"	23-7/8"	15"	18" base	1
CAN-MDBS50W	Single 50 qt	White	12-1/2"	21-1/8"	23-7/8"	15"	18" base	1
CAN-MDBS50G	Single 50 qt	Grey	12-1/2"	21-1/8"	23-7/8"	15"	18" base	1
CAN-MDB50G	Double 50 qt	Grey	17"	21-1/8"	23-7/8"	18"	21" base	1

Recommended screw:

#8 flat head

EASY TO INSTALL
IN EXISTING CABINETS

Waste Container Solutions: Wire Bottom Mount

**Cabinet
Organizers**



Cans Sold Separately



! Use optional door mounting kit for door pullout application

- Heavy duty 100 lb full extension ball bearing slides
- Thick wire frame construction
- Durable polymer trash cans are easily cleaned
- Cans and lids sold separately
- Quickly mounts to cabinet floor using four screws (included)

- Wire handle included
- Optional 6-way adjustable door mounting kit for door pullout application
- Retail packed with English, French and Spanish translations
- Note:** Double 50 qt unit requires full height cabinet

	Description	Finish	Width	Depth	Height	Min. Opening	Standard Cabinet Size	Ctn Qty
CAN-EBMSB-R	Single Can Unit for 35 qt or 50 qt	Black	10-1/4"	22-1/16"	13"	12"	15" base	6
CAN-EBMSPC-R	Single Can Unit for 35 qt or 50 qt	Polished Chrome	10-1/4"	22-1/16"	13"	12"	15" base	6
CAN-EBMSW-R	Single Can Unit for 35 qt or 50 qt	White	10-1/4"	22-1/16"	13"	12"	15" base	6
CAN-EBMDB-R	Double Can Unit for 35 qt only	Black	13-15/16"	22"	13"	15"	18" base	4
CAN-EBMDPC-R	Double Can Unit for 35 qt only	Polished Chrome	13-15/16"	22"	13"	15"	18" base	4
CAN-EBMDW-R	Double Can Unit for 35 qt only	White	13-15/16"	22"	13"	15"	18" base	4
CAN-EBMD50B-R	Double Can Unit for 50 qt only	Black	15-3/16"	22-1/16"	12-13/16"	15"	18" base	4
CAN-EBMD50PC-R	Double Can Unit for 50 qt only	Polished Chrome	15-3/16"	22-1/16"	12-13/16"	15"	18" base	4
CAN-EBMD50W-R	Double Can Unit for 50 qt only	White	15-3/16"	22-1/16"	12-13/16"	15"	18" base	4
CAN-DOORKIT	Door Mounting Kit	Black	2-1/2"	5-1/4"	6-5/8"	-	-	20
CAN-DOORKITPC	Door Mounting Kit	Polished Chrome	2-1/2"	5-1/4"	6-5/8"	-	-	20
CAN-DOORKITW	Door Mounting Kit	White	2-1/2"	5-1/4"	6-5/8"	-	-	20

Waste Container Solutions: Cans & Lids

Cans available in 2 sizes and 3 standard colors – black, grey & white

Lids available in 3 standard colors plus green for recycling

High quality polymer material is durable and easy to clean

Compatible with any of our trash can pullouts



35 qt bins

50 qt bins

	Description	Can Color	Width	Depth	Height	Ctn Qty
CAN-35	35 qt Polymer Can	Black	9-7/16"	14-1/2"	18"	10
CAN-35W	35 qt Polymer Can	White	9-7/16"	14-1/2"	18"	10
CAN-35GRY	35 qt Polymer Can	Grey	9-7/16"	14-1/2"	18"	10
CAN-35LID	Lid for 35 qt Polymer Can	Black	9-3/8"	14-1/2"	1-5/8"	10
CAN-35LIDW	Lid for 35 qt Polymer Can	White	9-3/8"	14-1/2"	1-5/8"	10
CAN-35LIDGRY	Lid for 35 qt Polymer Can	Grey	9-3/8"	14-1/2"	1-5/8"	10
CAN-35LIDG	Lid for 35 qt Polymer Can	Green	9-3/8"	14-1/2"	1-5/8"	10
CAN-50	50 qt Polymer Can	Black	10-1/4"	14-7/8"	22-1/4"	10
CAN-50W	50 qt Polymer Can	White	10-1/4"	14-7/8"	22-1/4"	10
CAN-50GRY	50 qt Polymer Can	Grey	10-1/4"	14-7/8"	22-1/4"	10
CAN-50LID	Lid for 50 qt Polymer Can	Black	10-1/4"	14-5/8"	1-5/8"	10
CAN-50LIDW	Lid for 50 qt Polymer Can	White	10-1/4"	14-5/8"	1-5/8"	10
CAN-50LIDGRY	Lid for 50 qt Polymer Can	Grey	10-1/4"	14-5/8"	1-5/8"	10
CAN-50LIDG	Lid for 50 qt Polymer Can	Green	10-1/4"	14-5/8"	1-5/8"	10

Great for

 Recycling



Waste Container Solutions: Special Buy – Top Mount Pullout

Cabinet
Organizers



\$28 Liquidation Special

While Supplies last



Does not fit standard cabinet openings.
Custom cabinets only.

	Description	Width w/ slides	Depth	Height
CAN-TM35	Single 35 qt	11-1/4"	21-5/8"	3-1/4"
CAN-TMD35	Double 35 qt	16-5/16"	21-5/8"	3-1/4"
CAN-TM50	Single 50 qt	12"	21-5/8"	3-1/4"

**Recommended
screw:**

#8 flat head

Minimum opening = unit width

Features 100 lb full extension
ball bearing slides

Solid maple construction with
clear UV finish

Single unit includes chrome-
plated wire basket for bag
storage

Included door brackets have
horizontal and vertical
adjustments

Cans sold separately
(item # CAN-35, CAN-35W,
CAN-35GRY, CAN-50,
CAN-50W, CAN-50GRY)

Pantry Solutions



Pantry Solutions

Organize everyone's favorite spot in the kitchen with a Hardware Resources pantry solution. From the traditional pantry pullout to our innovative pantry swingout, we have a solution for pantry storage needs.



Wood Swingout & Door Mount
Pages 364-365



Chrome Pullout
Page 362



Chrome Swingout
Pages 360-361



Wood Pullout
Page 363

Pantry Organizers: Premium Chrome Swingout



Scan to watch the
installation video
<http://delivr.com/2m8fn>



Shown using only 4 baskets.
5 baskets included.

Pantry Organizers: Premium Chrome Swingout

Features soft-close slides – 175 lb weight capacity

Smooth quiet opening and closing motion

Integrated door mounting brackets*

Includes 5 heavy duty wire baskets with chrome finish

Basket placement is adjustable

Non-slip clear acrylic basket liners included

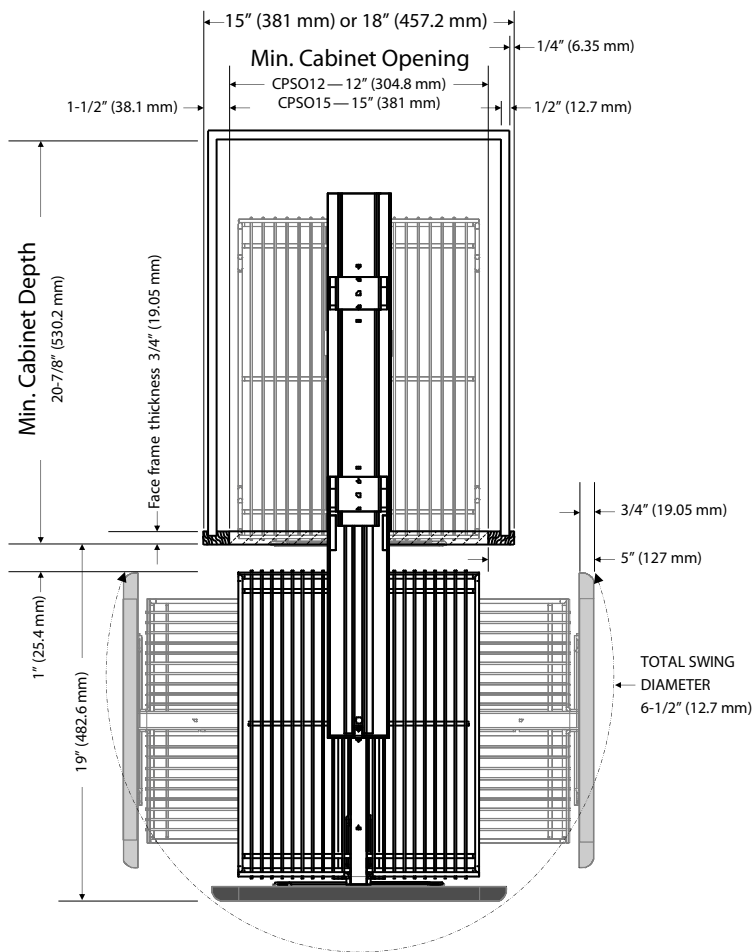
Frames adjust to fit variable heights

Pivots 90° in each direction when fully extended

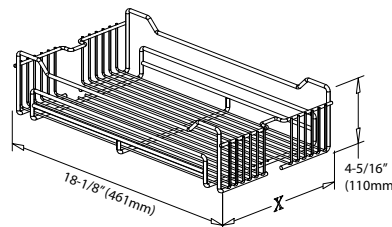
For face frame or frameless cabinets**

**If door panel is less than 1/2" thick, additional material may need to be added to the rear of the door*

***For face frame cabinet installation, additional cabinet blocking will be required for top mounting bracket.*



FRAMELESS FRIENDLY!



Cab. Opening	Basket Width (X)
For 12" opening	9-5/8" (254mm)
For 15" opening	13-1/2" (345mm)

	Width	Depth	Height	# Baskets	Standard Cabinet Size	Ctn Qty
CPSO1274SC	9-7/8"	19-3/8"	61-7/16" to 74-13/16"	5	15" pantry with 12" opening	1
CPSO1286SC	9-7/8"	19-3/8"	73-1/4" to 86-5/8"	5	15" pantry with 12" opening	1
CPSO1574SC	13-9/16"	19-3/8"	61-7/16" to 74-13/16"	5	18" pantry with 15" opening	1
CPSO1586SC	13-9/16"	19-3/8"	73-1/4" to 86-5/8"	5	18" pantry with 15" opening	1

Recommended screw:

#6 pan head

Pantry Organizers: Premium Chrome Pullout

- Features soft-close slides – 175 lb total weight capacity
- Smooth quiet opening and closing motion
- Integrated door mounting brackets*
- Heavy duty wire baskets with chrome finish and non-slip clear acrylic basket liners
- Basket placement is adjustable
- Frames adjust to fit variable heights
- Extends fully out of the cabinet
- For face frame or frameless cabinets**

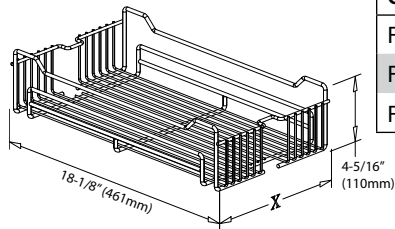
*If door panel is less than 1/2" thick, additional material may need to be added to the rear of the door

**For face frame cabinet installation, additional cabinet blocking will be required for top mounting bracket.



Scan to watch the installation video
<http://delivr.com/2s8ay>

FRAMELESS FRIENDLY!



Cab. Opening	Basket Width (X)
For 12" opening	9-5/8" (245 mm)
For 15" opening	13-1/2" (345 mm)
For 18" opening	17-1/2" (445 mm)

	Width	Depth	Height	# Baskets	Standard Cabinet Size	Ctn Qty
CPPO1263SC	9-7/8"	19-3/8"	49-5/8" to 63"	4	15" pantry with 12" opening	1
CPPO1274SC	9-7/8"	19-3/8"	61-7/16" to 74-13/16"	5	15" pantry with 12" opening	1
CPPO1286SC	9-7/8"	19-3/8"	73-1/4" to 86-5/8"	5	15" pantry with 12" opening	1
CPPO1563SC	13-9/16"	19-3/8"	49-5/8" to 63"	4	18" pantry with 15" opening	1
CPPO1574SC	13-9/16"	19-3/8"	61-7/16" to 74-13/16"	5	18" pantry with 15" opening	1
CPPO1586SC	13-9/16"	19-3/8"	73-1/4" to 86-5/8"	5	18" pantry with 15" opening	1
CPPO2063SC	17-1/2"	19-3/8"	49-5/8" to 63"	4	21" pantry with 18" opening	1
CPPO2074SC	17-1/2"	19-3/8"	61-7/16" to 74-13/16"	5	21" pantry with 18" opening	1
CPPO2086SC	17-1/2"	19-3/8"	73-1/4" to 86-5/8"	5	21" pantry with 18" opening	1

Recommended screw:

#6 pan head

Pantry Organizers: Wood Pullout

Cabinet
Organizers

EASY TO INSTALL
IN EXISTING CABINETS



Scan to watch the
installation video
<http://delivr.com/2ZRYV>



Solid white birch plywood construction with clear UV Finish

Top shelf and bottom 2 shelves are fixed

2 adjustable middle shelves

Ships preassembled and installs quickly

Patented top mounting bracket eliminates side-to-side movement and sag (US Patent 9,565,936)

Top mounting bracket allows for 3" of adjustability and can be used for frameless or face frame cabinetry

400 lb heavy duty ball bearing bottom slides and 225 lb ball bearing top slide

Patented* Integrated 6-way adjustable door mounting brackets allow for easy mounting of door

*US Patents 9,565,936 & 9,661,924 & 10,028,581

FRAMELESS FRIENDLY!

	Width	Depth	Height	# Shelves	Standard Cabinet Size	Ctn Qty
PPO2-548	5-1/2"	22-1/2"	46" to 49"	5	9" pantry with 6" opening	1
PPO2-554	5-1/2"	22-1/2"	52" to 55"	5	9" pantry with 6" opening	1
PPO2-560	5-1/2"	22-1/2"	59" to 62"	5	9" pantry with 6" opening	1
PPO2-848	8-1/2"	22-1/2"	46" to 49"	5	12" pantry with 9" opening	1
PPO2-854	8-1/2"	22-1/2"	52" to 55"	5	12" pantry with 9" opening	1
PPO2-860	8-1/2"	22-1/2"	59" to 62"	5	12" pantry with 9" opening	1
PPO2-1148	11-1/2"	22-1/2"	46" to 49"	5	15" pantry with 12" opening	1
PPO2-1154	11-1/2"	22-1/2"	52" to 55"	5	15" pantry with 12" opening	1
PPO2-1160	11-1/2"	22-1/2"	59" to 62"	5	15" pantry with 12" opening	1
PPO2-1448	14-1/2"	22-1/2"	46" to 49"	5	18" pantry with 15" opening	1
PPO2-1454	14-1/2"	22-1/2"	52" to 55"	5	18" pantry with 15" opening	1
PPO2-1460	14-1/2"	22-1/2"	59" to 62"	5	18" pantry with 15" opening	1

Recommended
screw:

#6 pan head



Extra Rails Ctn Qty

RAIL-17-PC	Extra rail for PPO2 series	50
------------	----------------------------	----

hardware
resources

800.463.0660 | www.HardwareResources.com

[363]

Pantry Organizers: Wood Swingout

Scan to watch the
installation video
<http://delivr.com/2fz83>



- Used in pantry cabinets with recessed center divider
- Minimum opening 33" wide
- Top shelf and bottom 2 shelves are fixed
- 2 adjustable middle shelves
- Piano hinge allows left and right shelves to swing out
- Solid birch and birch plywood construction with clear UV finish
- Wings ship preassembled to center mounting strip



**Ships Fully
Assembled**



Extra Rails

	Length	Height	Ctn Qty
RAIL-9-PC	9-1/4"	1-3/4"	50

	Width	Depth	Height	Standard Cabinet Size	Ctn Qty
A PS045	25-15/16"	8"	45-5/8"	36" pantry	1

Recommended
screw:

#8 flat head

Pantry Organizers: Wood Door Mount

Cabinet
Organizers

EASY TO INSTALL
IN EXISTING CABINETS



Mounts to the inside of hinged
pantry doors, minimum 48" tall
and 13" wide

Three adjustable middle shelves

Solid birch and birch plywood
construction with clear UV finish

Ships preassembled and quickly
installs to cabinet door, as shown
on opposite page

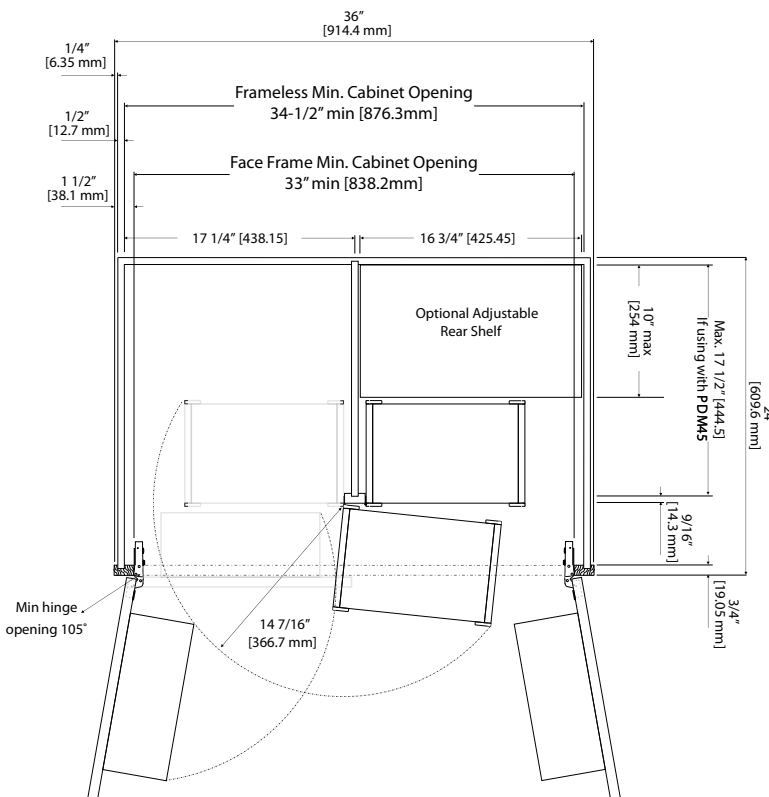
Can be used in conjunction with
Pantry Swingout



	Width	Depth	Height	Standard Cabinet Size	Ctn Qty
B PDM45	12"	4-7/8"	45-5/8"	18" pantry door	1

Recommended screw:

#8 flat head



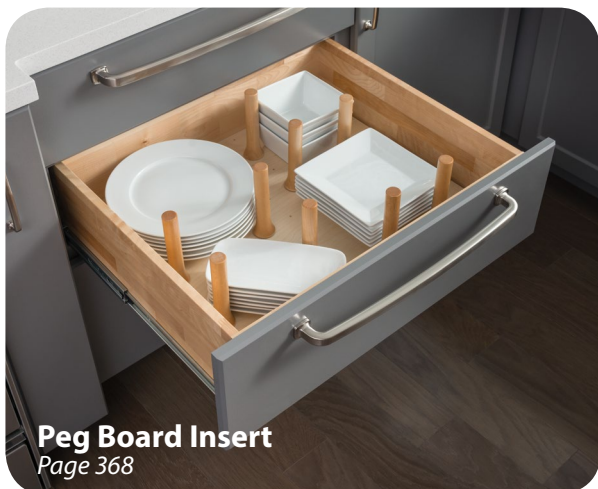
Extra Rails	Length	Height	Ctn Qty
RAIL-9-PC	9-1/4"	1-3/4"	50

Drawer Solutions



Drawer Solutions

Tame drawer clutter with Hardware Resources' drawer organizers. From complete drawer solutions to drop-in inserts, these products will help organize everything from cutlery to cookware.



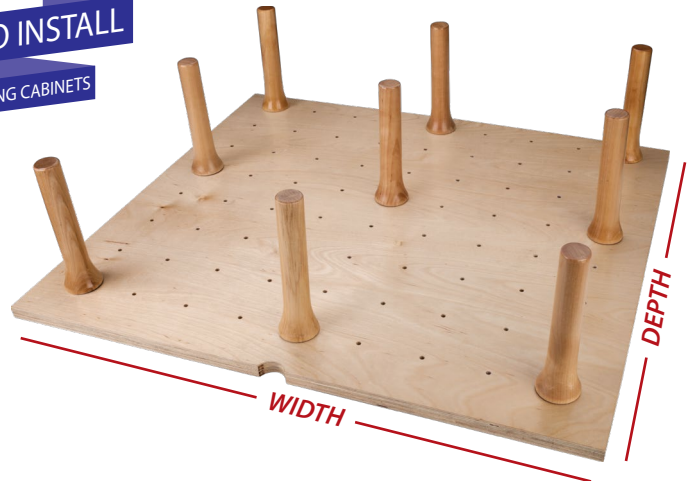
Drawer Organizers: Peg Board Insert



	# Pegs	Width	Depth	Height	Ctn Qty
PEG-9*	9	24-1/4"	21-1/4"	6-5/8"	1
PEG-12*	12	30-1/4"	21-1/4"	6-5/8"	1
PEG-16*	16	39-1/4"	21-1/4"	6-5/8"	1

*Item can be trimmed to fit smaller drawer

EASY TO INSTALL
IN EXISTING CABINETS



- Pegs included - see table above for quantity
- Solid 5/8" birch plywood bottom panel with clear UV finish
- Press-in solid birch pegs with clear UV finish
- Ideal storage for dinnerware or plastic containers
- All sizes can be trimmed to fit



Additional Pegs	# Pegs	Top Diameter	Bottom Diameter	Height	Ctn Qty
PEG-BOX	4	1"	1-5/8"	6"	1

Press-in solid birch pegs with clear UV finish
Use with PEG-9, PEG-12 or PEG-16

Drawer Organizers: Peg Board Accessories

Cabinet
Organizers



EASY TO INSTALL
IN EXISTING CABINETS

Tame drawer clutter and offer an adjustable storage solution for pots/pans and lids with our pegboard accessories. Designed to work with our PEG-9, PEG-12 and PEG-16 peg board drawer inserts in deep drawers, our pot/pan organizer and lid organizer allows you to keep multiple sizes of cookware neat and organized. Featuring easy press-in installation. Cookware is always within reach.

	Description	Width	Depth	Height	Ctn Qty
A	PEG-PO Pot Organizer	5-3/8"	15-3/16"	6-5/8"	1
B	PEG-LO Lid Organizer	5-3/16"	16-7/16"	5-7/16"	1

Pot/Pan Organizer

Holds up to five pots or pans and includes a handle rest

Adjustable dividers can be moved for a variety of configurations

Can be combined with Lid Organizer PEG-LO

Use with PEG-9, PEG-12 or PEG-16

Lid Organizer

Holds six lids

Can be combined with Pot Organizer PEG-PO

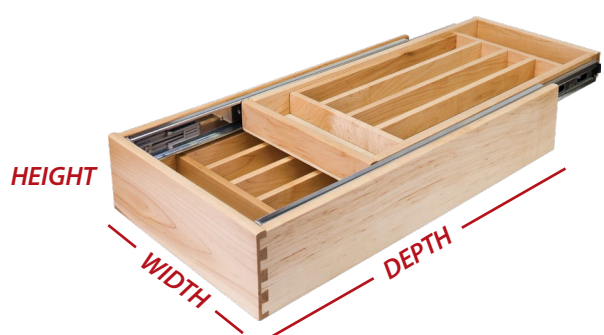
Use with PEG-9, PEG-12 or PEG-16

Drawer Organizers: Double Cutlery Drawer



Ships Fully Assembled

Scan to watch the installation video
<http://delivr.com/2r2j4>



	Width	Depth	Height	Slide	Min Opening	Standard Cabinet Size	Ctn Qty
CD15	11-1/2"	21"	4-3/16"	100 lb	12"	15" base	1
CD18	14-1/2"	21"	4-3/16"	100 lb	15"	18" base	1
 CD18P [†]	14-1/2"	21"	4-3/16"	100 lb Push	15"	18" base	1
CD21	17-1/2"	21"	4-3/16"	100 lb	18"	21" base	1
CD24	20-1/2"	21"	4-3/16"	100 lb	21"	24" base	1
 CD24P [†]	20-1/2"	21"	4-3/16"	100 lb Push	21"	24" base	1

Make the most of space with this two tier system


Top tier includes preassembled full extension ball bearing slides: 100 lb slides on 4-3/16" units

Item numbers with P include push-to-open slides on top tray

Ships notched and bored for recommended use with USE58-300 undermount drawer slides (sold separately)

Drawer front not included

Made from 1/2" solid white birch dovetail drawer sides and 1/4" prefinished birch plywood bottoms, all with clear UV finish

 These products are being retired. Call for availability on products marked with "†".

Drawer Organizers: Cutlery Insert

Cabinet
Organizers



Shown with knife insert (KO18) for maximum organization. See page 360.

EASY TO INSTALL
IN EXISTING CABINETS

DO14 is for use in 15" wide x 22" deep drawers or can be trimmed to minimum 9-7/16" wide x 15-3/8" deep

DO20 is for use in 21" wide x 22" deep drawers or can be trimmed to minimum 14-1/2" wide x 15-7/16" deep

Cutlery sections are 2-5/8" wide on 14" unit and 2-7/16" wide on 20" unit

1-3/4" interior height

Solid birch and birch plywood construction with clear UV finish

	Width	Depth	Height	Recommended Drawer	Ctn Qty
DO14	14-5/8"	22"	2-1/4"	15" wide drawer*	5
DO20	20-7/8"	22"	2-1/4"	21" wide drawer*	5

*Item can be trimmed to fit smaller drawer



Drawer Organizers: Knife Block Insert



EASY TO INSTALL
IN EXISTING CABINETS

For use in 18-1/2" wide drawer

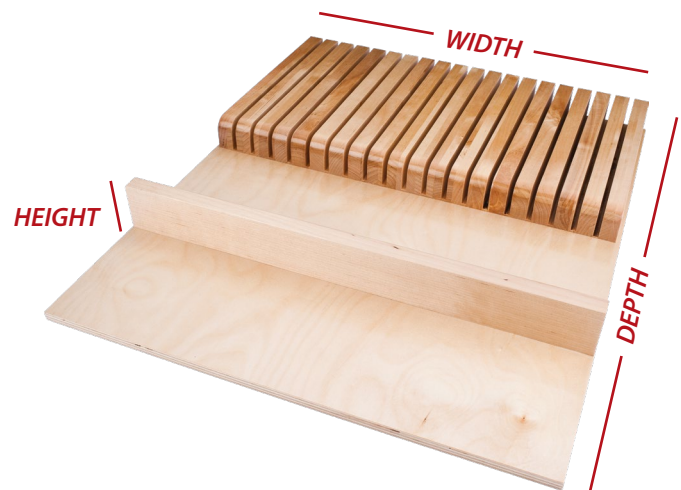
Comes with 19 knife slots and built-in front storage partition.

Knife sections can be removed and the unit can be trimmed to fit any drawer width or length.

Solid birch and birch plywood construction with clear UV finish

	Width	Depth	Height	Ctn Qty
KO18*	18-1/2"	22"	2-3/8"	5

*Item can be trimmed to fit smaller drawer



Drawer Organizers: Spice Tray Insert

Cabinet
Organizers



EASY TO INSTALL
IN EXISTING CABINETS

	<i>Width</i>	<i>Depth</i>	<i>Height</i>	<i>Ctn Qty</i>
SPO15*	15-1/4"	19-1/2"	1-3/32"	5
SPO24*	23-1/2"	19-1/2"	1-3/32"	5

*Item can be trimmed to fit smaller drawer

Holds wide variety of spice jars and containers
For use in 15" or 24" drawers, or trim to size
Solid birch and birch plywood construction
with clear UV finish



Tipout Tray: Stainless Steel



Shown using 2 hinges. Kit includes 4 hinges for installation on 1 or 2 fronts.

Installation Screws Included

EASY TO INSTALL
IN EXISTING CABINETS

Kits	Width	Depth	Height	Standard Cabinet Size	Ctn Qty
TOSS11-R	11"	2"	3"	36" base	4 kits
TOSS11S-R	11"	1-9/16"	3"	36" base	4 kits
TOSS14-R	14"	2"	3"	36" base	4 kits
TOSS14S-R	14"	1-9/16"	3"	36" base	4 kits

Kit includes 2 trays, 4 hinges & installation screws

Individual Items

	Width	Depth	Height	Ctn Qty
TOSS11-REPL	11"	2"	3"	1 tray
TOSS11S-REPL	11"	1-9/16"	3"	1 tray
TOSS14-REPL	14"	2"	3"	1 tray
TOSS14S-REPL	14"	1-9/16"	3"	1 tray
TIPOUT-HINGE	-	-	-	1 pair



Convert false front drawers into useful hidden storage space

Sold as kits or individual trays and hinge pairs

Each kit includes 2 trays, 4 hinges, and screws

Stainless steel is durable and easily cleaned

Ships with all necessary hinges and screws

Hinges are self closing and feature adjustable opening angle

1-9/16" slim depth trays are great for use in low clearance applications behind large sinks

Tipout Tray: White

Cabinet
Organizers



! Shown using 2 hinges. Kit includes 4 hinges for installation on 1 or 2 fronts.



EASY TO INSTALL
IN EXISTING CABINETS

Kits	Width	Depth	Height	Standard Cabinet Size	Ctn Qty
TO11-R	11"	2"	3"	36" base	4 kits
TO11S-R	11"	1-9/16"	3"	36" base	4 kits
TO14-R	14"	2"	3"	36" base	4 kits
TO14S-R	14"	1-9/16"	3"	36" base	4 kits

Kit includes 2 trays, 4 hinges & installation screws

Individual Items

	Width	Depth	Height	Ctn Qty
TO11-REPL	11"	2"	3"	1 tray
TO11S-REPL	11"	1-9/16"	3"	1 tray
TO14-REPL	14"	2"	3"	1 tray
TO14S-REPL	14"	1-9/16"	3"	1 tray
TIPOUT-HINGE	-	-	-	1 pair



Convert false front drawers into useful hidden storage space

Sold as kits or individual trays and hinge pairs

Each kit includes 2 trays, 4 hinges, and screws

White polymer is durable and easily cleaned

Ships with all necessary hinges and screws

Hinges are self closing and feature adjustable opening angle

1-9/16" slim depth trays are great for use in low clearance applications behind large sinks

Base Cabinet Solutions



Tray Divider Pullout
Page 384

Base Cabinet Solutions

Maximize cabinet storage with Hardware Resources' base cabinet solutions. From cabinet pullouts to mixer lifts, we can help you make the most of a beautiful and organized kitchen.



Some things should wiggle.

Your Cabinet Pullout Shouldn't.

Hardware Resources has designed the **sturdiest cabinet pullout** on the market

- "No Wiggle" patented hardware **eliminates excessive sag and side-to-side movement**
- **Ships fully assembled** and installs in minutes, saving time
- 6-way integrated door mounting hardware for **precise door adjustments**



Scan the QR code
with your smartphone
or mobile device or visit
<http://www.delivr.com/2h4vw>

Base Cabinet Solutions: "No Wiggle" Base Pullout

Cabinet
Organizers



Ships Fully Assembled

Scan to watch the installation video
<http://delivr.com/22TZY>



Patented* top mounting bracket eliminates excessive side-to-side movement and sag, yet is hidden under the first shelf for a clean look

Bottom slides are concealed undermount slides, and the top is a 225 lb slide for added support and weight bearing

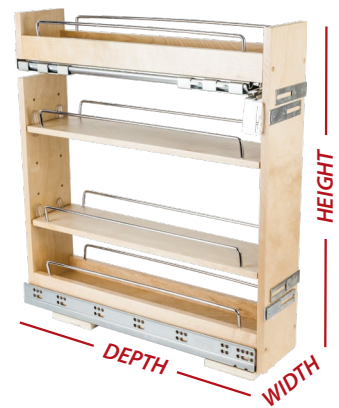
Patented* integrated 6-way adjustable door-mounting brackets allow for easy mounting of door

Frameless Friendly! Works in both face frame and frameless applications

Ships fully assembled making installation a breeze

*US Patents 9,661,924 & 9,723,922 & 10,028,581

! Requires full door cabinet



	Width	Depth	Height	Min. Opening	Standard Cabinet Size	Ctn Qty
BPO2-5SC	5-1/2"	22"	24"	6"	9" base	1
BPO2-8SC	8-1/2"	22"	24"	9"	12" base	1
BPO2-11SC	11-1/2"	22"	24"	12"	15" base	1
BPO2-14SC	14-1/2"	22"	24"	15"	18" base	1

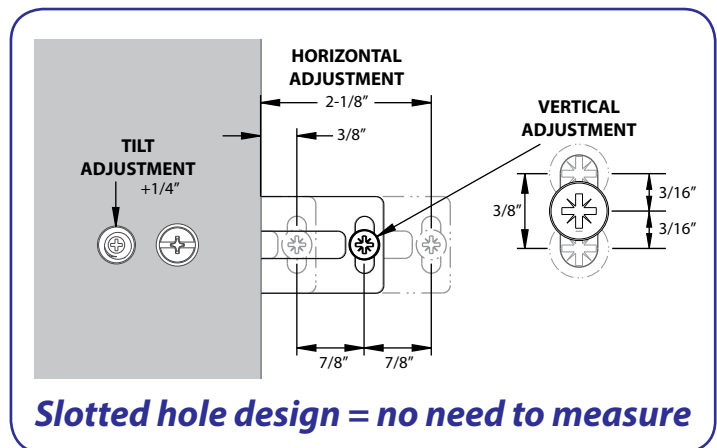
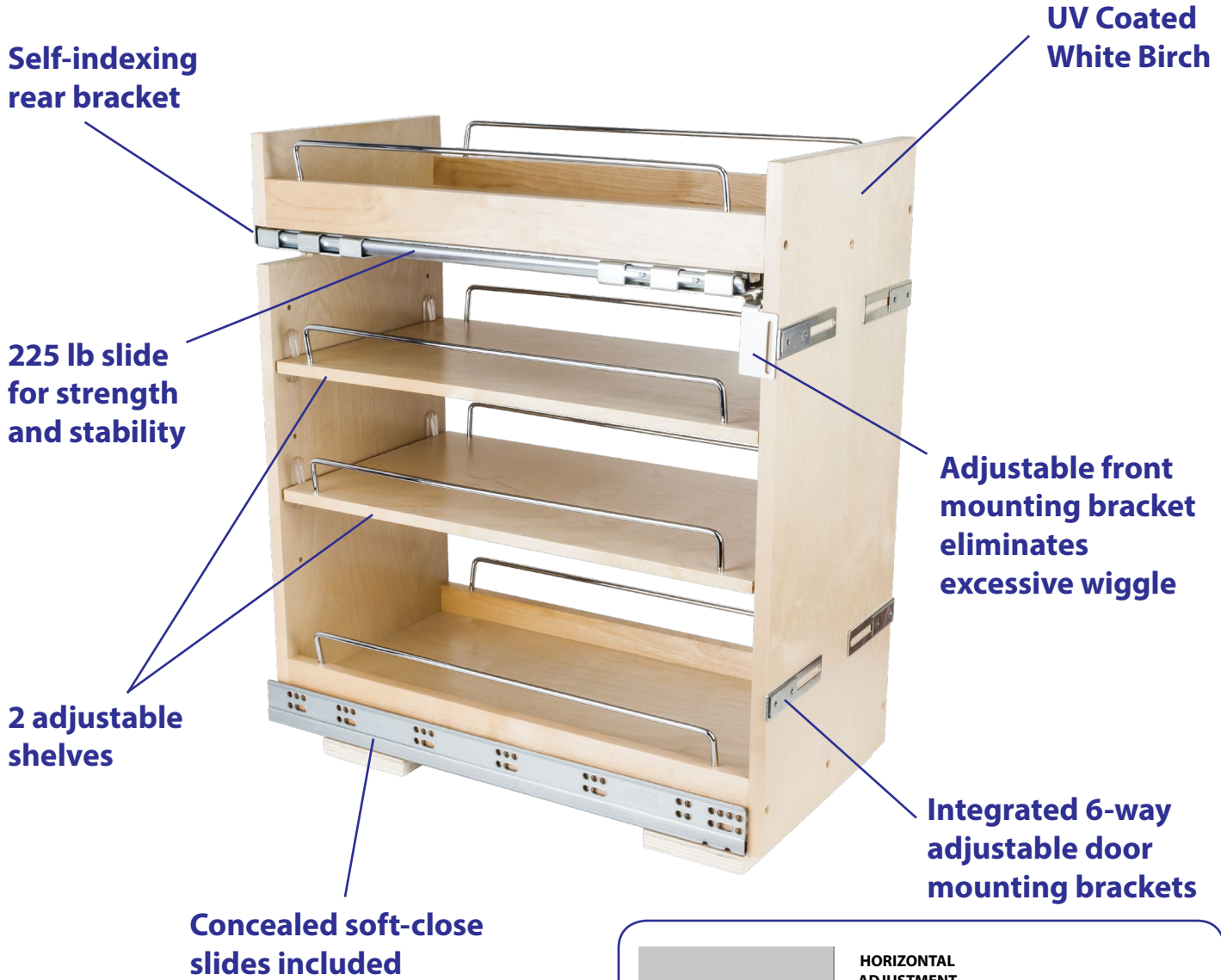
Recommended screw: #8 flat head



Extra Rails		Ctn Qty
RAIL-17-PC	Extra rail for BPO series	50

Base Cabinet Solutions: "No Wiggle" Pullouts

What makes a great pullout?



US Patents 9,661,924 & 9,723,922

Base Cabinet Solutions: "No Wiggle" Vanity Pullout



Ships Fully Assembled

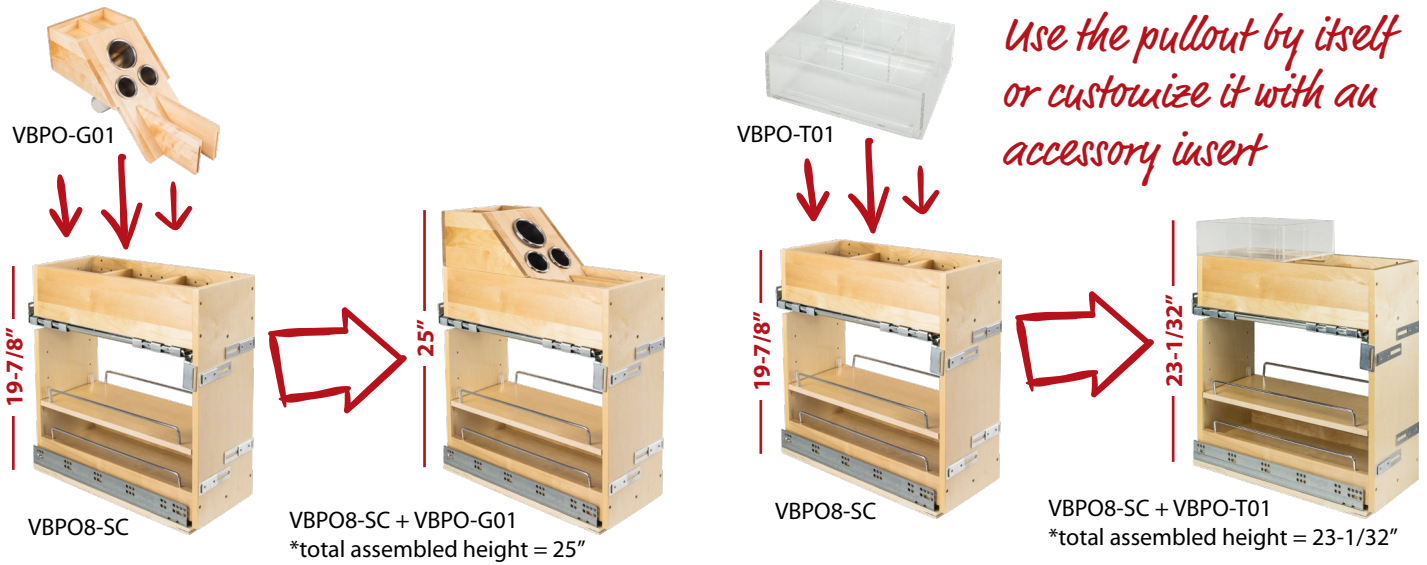
Shown with Grooming Organizer Insert (sold separately)

- Shortened height and depth designed to fit into bathroom vanity cabinets
- Patented* hardware eliminates excess side-to-side movement
- Modular design allows for the use of optional grooming organizer or acrylic tray
- Smooth soft-close slides
- Adjustable dividers and shelf
- Patented* 6-way adjustable door mounting brackets allows for easy mounting of doors

*US Patents 9,661,924 & 9,723,922



Accessory inserts require full door cabinet



	Description	Width	Depth	Height*	Min. Opening	Standard Cabinet Size	Ctn Qty
VBPO8-SC	8" wide "No Wiggle" vanity pullout	8-1/2"	18-13/16"	19-7/8"	9"	12" base	1
VBPO-G01	Grooming organizer insert	8"	18-7/32"	9"	9"	12" base	1
VBPO-T01	Acrylic tray insert	8"	10-3/32"	3-7/16"	9"	12" base	1

Recommended screw:

Screws included – #8 flat head

*Total assembled height of Vanity Base Pullout with inserts is listed above

Base Cabinet Solutions: "No Wiggle" Utensil Pullout

NEW



Ships Fully Assembled

- Convenient storage of kitchen utensils
- Included 4 stainless steel bins are sturdy and easy to remove for cleaning
- Open bottom shelf for additional storage
- Built on our "No Wiggle" platform
- Patented* top mounting bracket eliminates excessive side-to-side movement and sag, yet is hidden under the first shelf for a clean look
- Bottom slides are concealed undermount slides, and the top is a 225 lb slide for added support and weight bearing
- Patented* integrated 6-way adjustable door-mounting brackets allow for easy mounting of door
- Frameless Friendly! Works in both face frame and frameless applications
- Ships fully assembled making installation a breeze
- *US Patents 9,661,924 & 9,723,922

! Requires full door cabinet



	Width	Depth	Height	Min. Opening	Standard Cabinet Size	Ctn Qty
UBPO-8SC NEW	8-1/2"	22"	24"	9"	12" base	1

Recommended screw:

Screws included – #8 flat head



Replacement Utensil Bins Ctn Qty

UCSS-46	Replacemet bins for UBPO series	50
---------	---------------------------------	----

NEW

Base Cabinet Solutions: "No Wiggle" Drawer Base Pullout

Fits below a drawer!



Ships Fully Assembled

- Shorter height fits below drawer
- Built on our "No Wiggle" platform
- Patented* top mounting bracket eliminates excessive side-to-side movement and sag, yet is hidden under the first shelf for a clean look
- Bottom slides are concealed undermount slides, and the top is a 225 lb slide for added support and weight bearing
- Patented* integrated 6-way adjustable door-mounting brackets allow for easy mounting of door
- One adjustable shelf included
- Frameless Friendly! Works in both face frame and frameless applications
- Ships fully assembled making installation a breeze
- *US Patents 9,661,924 & 9,723,922



20"

	Width	Depth	Height	Min. Opening	Standard Cabinet Size	Ctn Qty
--	-------	-------	--------	--------------	-----------------------	---------

DBPO-5SC NEW	5-1/2"	22"	20"	6"	9" base	1
DBPO-8SC NEW	8-1/2"	22"	20"	9"	12" base	1

Recommended screw:

Screws included – #8 flat head



Extra Rails

Ctn Qty

RAIL-17-PC	Extra rail for BPO series	50
------------	---------------------------	----

Base Cabinet Solutions: Tray Divider Pullout



Ships Fully Assembled

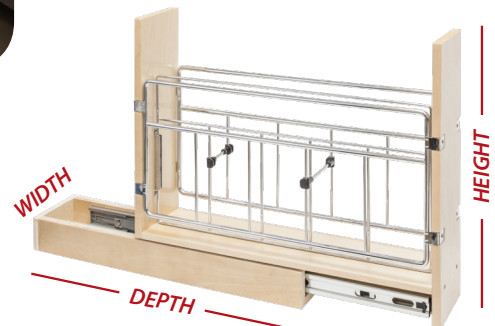
- Features our popular 303FUSFT Series Dura-Close™ full extension soft-close 100 lb ball bearing slides
- Edgebanded birch plywood construction with clear UV finish
- Ships preassembled and quickly installs to cabinet floor with just 4 screws
- Removable center rack and adjustable dividing bars allows for easy and versatile customization of storage needs



! Also great for foil, plastic wrap and bag storage

	Width	Depth	Height	Min. Opening	Standard Cabinet Size	Ctn Qty
BPOTD5	5"	22"	18-1/2"	6"	9" base	1
BPOTD8	8"	22"	18-1/2"	9"	12" base	1

Recommended screw: #8 flat head



Base Cabinet Solutions: Base Filler Pullouts

Cabinet
Organizers



***Ships Fully
Assembled***

Used in 3" and 6" wide base cabinet applications

Installs in dead space between base cabinets

Two adjustable middle shelves

Solid birch and birch plywood construction with clear UV finish

Features our popular 303FUSFT Series Dura-Close™ full extension soft-close 100 lb ball bearing slides

Ships preassembled and quickly installs to adjacent base cabinets using predrilled pilot holes

	Width	Depth	Height	Ctn Qty
BFPO3SC	3"	23"	30"	1
BFPO6SC	6"	23"	30"	1

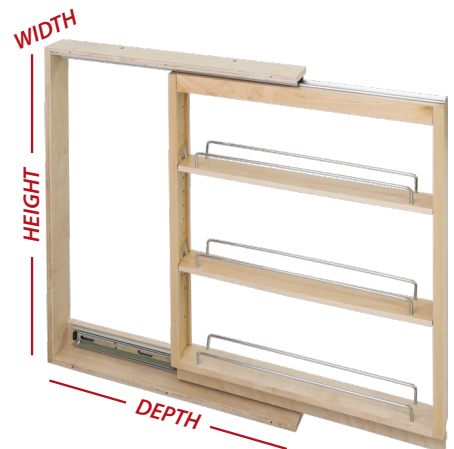
Recommended screw:

#6 face frame



Extra Shelves & Rails Ctn Qty

BPFO3-ES	Extra shelf for BFPO3SC	1
BPFO6-ES	Extra shelf for BFPO6SC	1
RAIL-17-PC	Extra rail for BPO series	50



Base Cabinet Solutions: Peg Board Filler Pullout

This organizer takes the wasted space between cabinets and converts it into a customizable organized space. Organize everything from pots and pans to big utensils with the variety of included hooks.

Ships Fully Assembled



Features our popular 303FUSFT Series Dura-Close™ full extension soft-close 100 lb ball bearing slides

Each pullout comes with an assortment of pegs and hooks (12 pegs, 12 single hooks, 6 double hooks)

Additional hook packs are available for purchase (3 hooks/pack)

Available in 2 width options

Stainless steel pegboard is easy to clean and magnetic

Edgebanded birch plywood construction with clear UV finish



Extra Peg
BFPOSS-PEG



Extra Single Hook
BFPOSS-S3



Extra Double Hook
BFPOSS-D3



Chrome Rail
RAIL-17-PC

! Can be mounted left- or right-handed

	Width	Depth	Height	Ctn Qty
BFPOSS3	3"	23"	30"	1
BFPOSS6	6"	23"	30"	1

Recommended screw:

#8 flat head

Extra Hardware

Ctn Qty

BFPOSS-D3	Double hooks	3 hooks/bag
BFPOSS-S3	Single hooks	3 hooks/bag
BFPOSS-PEG	Single pegs	3 pegs/bag
RAIL-17-PC	Chrome rail	50 rails

Base Cabinet Solutions: Appliance Lift

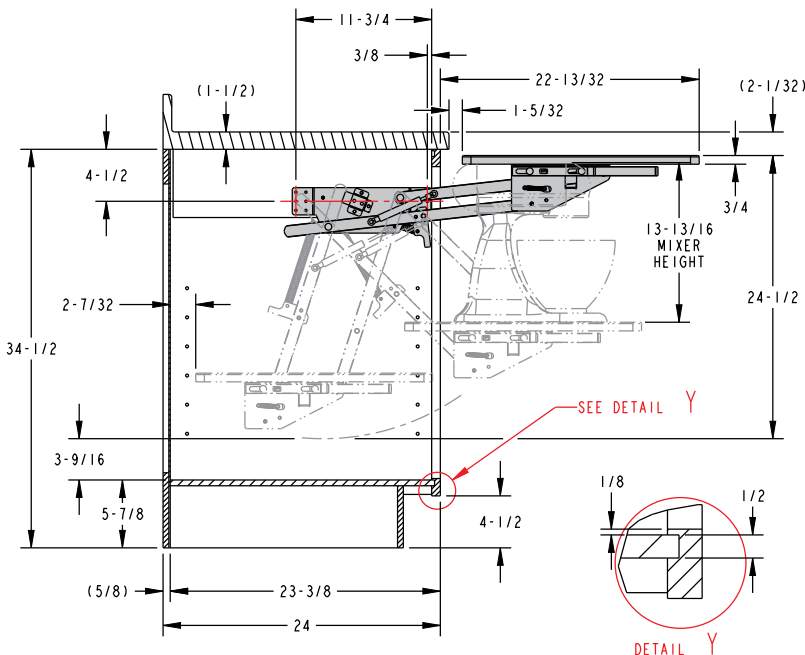
Cabinet
Organizers



- Provides mechanical assistance for heavy appliances such as a mixer
- Features soft-close dampers for smooth closing
- Can be used in both frameless and face frame cabinetry
- Shelf (not included) can be custom fit to any cabinet size
- Three spring settings for up to 45 lbs capacity



Scan to watch the
installation video
<http://delivr.com/2NR58>



! Pair with a wire pullout basket (MBPO series shown) to store appliance supplies and accessories

	Width	Depth	Height	Opening	Ctn Qty
ML-1CH	see drawing for dimensions	see drawing for dimensions	12" min. 24" max.		1

Recommended screw: #10 pan head screws for mounting to cabinet included

Shelf material is not included. Shelf should be a minimum of 3/4" thick and no longer than 20-1/2" in length.

Shelf width is determined by measuring between the side mounting brackets minus 1-1/4". Mount shelf with at least 8 suggested #8 x 1/2" wood screws (not provided) to mounting brackets.

Base Cabinet Solutions: Easy-to-Install Rollout Drawers

Skip the *measure...design...wait...* process

EASY TO INSTALL
IN EXISTING CABINETS

Order rollout drawers that are **IN STOCK**
Ships same day – Receive it in 2-3 days
Ships fully assembled
Easily and quickly installs with four screws (included)
For existing cabinets or new construction
Designed to fit standard cabinet sizes



	Width	Depth	Height	Bottom	Minimum Opening	Standard Cab. Size
RO12-WB	10-1/4"	21-1/4"	7"	1/4"	12"	15" base
RO15-WB	13-1/4"	21-1/4"	7"	1/4"	15"	18" base
RO18-WB	16-1/4"	21-1/4"	7"	1/4"	18"	21" base
RO21-WB	19-1/4"	21-1/4"	7"	1/4"	21"	24" base
RO24-WB	22-1/16"	21-1/4"	7"	1/2"	24"	30" base
RO27-WB	25-1/16"	21-1/4"	7"	1/2"	27"	30" base
RO33-WB	31-1/16"	21-1/4"	7"	1/2"	33"	36" base
ROVHB12-WB	10-1/16"	18-7/16"	9"	1/4"	12"	15" vanity
ROVHB15-WB	13-1/16"	18-7/16"	9"	1/4"	15"	18" vanity
ROVHB18-WB	16-1/16"	18-7/16"	9"	1/4"	18"	21" vanity



Beautiful White Birch dovetail boxes with UV coating

Drawer boxes are built in our plant in the USA

Featuring concealed undermount 3/4 extension soft-close slides

75lb weight capacity

For your Bath

Reclaim the space in bathroom cabinets

18" depth designed for bath cabinets

Use multiple rollouts for wide cabinets

High-Back Drawers - 8" Back & 3" Front Drawer Height



For 12" opening
ROVHB12-WB



For 15" opening
ROVHB15-WB



For 18" opening
ROVHB18-WB



ROVHB15-WB & ROVHB12-WB shown in use

Base Cabinet Solutions: Easy-to-Install Rollout Drawers

For your Kitchen

Rollout Drawers - 6" Drawer Height



For 12" opening
RO12-WB

For 15" opening
RO15-WB

For 18" opening
RO18-WB

For 21" opening
RO21-WB



For 24" opening
RO24-WB
1/2" bottom panel

For 27" opening
RO27-WB
1/2" bottom panel

For 33" opening
RO33-WB
1/2" bottom panel



RO21-WB shown in use



It's That Easy!



1 Measure

Measure the cabinet's interior width, depth and height. Hold your tape parallel to the cabinet's walls. Note any pipes, shelves, or hinges that may affect actual available space.



2 Set

Set your drawer base in place making sure you can open and close the cabinet door easily.



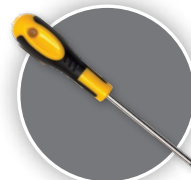
3 Secure

Using your Phillips screwdriver (or drill) and the screws provided, secure your organizer base. Place the drawer back on the base, and you're all done!

All you need:

Phillips Screwdriver

Cordless Drill



OR

Measuring Tape



Scan to watch the product video
<http://delivr.com/2uf4p>



Base Cabinet Solutions: Build your Own Rollouts



Rollout Box



Drawer Slide



QuickTray Pilaster System



CUSTOMIZED STORAGE SOLUTIONS

Maximize your kitchen with custom storage solutions.

Our custom order-to-size rollouts are manufactured in our plant in Louisiana. Add our best-selling Dura-Close® drawer slides and our QuickTray pilaster system, and you can create custom storage solutions for your customers. Great for pantries, pot and lid storage, small kitchen appliances and miscellaneous kitchen wares. Customizable for any size cabinet, existing or new construction.



Pots & Lids



Pantry



Base Cabinet Solutions: Quick Tray Pilaster System



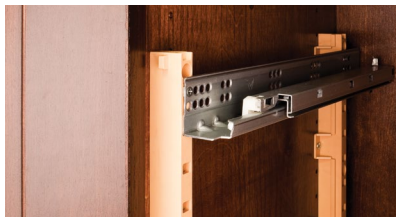
- » System only requires four simple components
- » Overall height is 20-1/8"
- » Vertical adjustment of shelves in increments of 1-1/4"
- » No tools necessary for shelf adjustments
- » Front spacing lip allows for offset behind the face frame
- » Supports are non-handed for easy installation
- » Frameless application can be mounted with wood or euro screws
- » Face frame application can be fastened with staples or wood screws
- » Can be factory installed or added to existing cabinets

Pilasters:

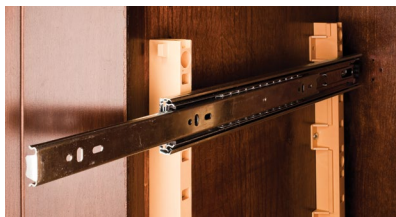
Maple	B512-01 5 pc/ctn	1-1/4" Pilaster System Pack, clear-coated maple pilaster with beige insert Pack Includes: 4 pilasters, 8 hook dowels and 16 screws
	B500-00 100 pc/ctn	Quick Tray 1" Pilaster bulk pack Pack Includes: 100 pilasters, 200 hook dowels and 200 screws
White	B520-00 20 pks/ctn	1" Pilaster System Pack Pack Includes: 4 pilasters, 8 hook dowels and 8 screws
	B521-00 20 pks/ctn	1-1/4" Pilaster System Pack Pack Includes: 4 pilasters, 8 hook dowels and 8 screws
Beige	B520-01 20 pks/ctn	1" Pilaster System Pack Pack Includes: 4 pilasters, 8 hook dowels and 8 screws
	B521-01 20 pks/ctn	1-1/4" Pilaster System Pack Pack Includes: 4 pilasters, 8 hook dowels and 8 screws
Cream	T-501-02 100 pc/ctn	1-1/4" Support Pilaster with 0.25" Standoff
	T-502-02 100 pc/ctn	1-1/4" Support Pilaster with 0.325" Standoff

Use with any slide:

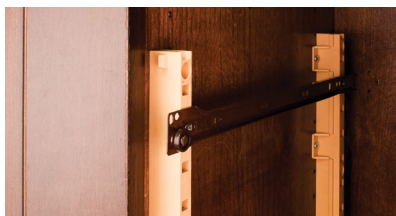
UNDERMOUNT



BALL BEARING



EPOXY



Accessories:

White	530117 2000 pc/ctn	7/8" Plastic Spacer with 1-3/8" CC holes 1-7/8" overall width	
	EXE001 2000 pc/ctn	3/4" Spacer with 32 mm holes	
Beige	B-400-02 100 pc/pk 10 pks/ctn	Drawer Bumper for Rollout Tray 11/16" (18mm) *Recommended screw: 6X7160-B	
	T-506 1000 pc/ctn	Hook Dowels for ball bearing slides (sold individually)	
Zinc	T-508 1000 pc/ctn	Hook Dowels for undermount slides (sold individually)	
	T-501 1000 pc/ctn	Dowel Screw for Hook Dowel	
	B-310 50 pks/ctn	Hook Dowel & Screw Pack for ball bearing slides Pack includes 4 hook dowels & 4 screws	

Base Cabinet Solutions: Custom Rollout Accessories

Slide Mounting Kit for Ball Bearing Slides



Custom dovetail drawer boxes, 303FU drawer slide and SLIDE-KIT shown in use



4 Zinc L-brackets & slide attachment screws

SLIDE-KIT
50 pks/ctn

Recommended screw: #6 pan head

Perfect for rollout drawers - allows you to mount slides directly to cabinet floor or fixed shelf

Will fit 301FU series and 303FU series ball bearing slides as well as USE series undermount slides

Threaded collars mean secure attachment using only a screwdriver

Screws for mounting to slides included

#6 pan head screw suggested for installation to cabinet floor

EASY TO INSTALL
IN EXISTING CABINETS

Base Cabinet Solutions: Custom Rollout Accessories

Cabinet
Organizers

Rear Mounting Bracket for Undermount Slides



Custom dovetail drawer boxes, Quick Tray Pilaster System, USE58-100 drawer slide and USE-RMB shown in use



1 pair brackets &
attachment screws

NEW
USE-RMB
250 pks/ctn

Recommended screw: *included*

Attach rear mounting block to the back of the shelf instead of notching and boring

For use with USE58-300, USE58-100, USE58-50 or USE34-100 undermount slides

Maximum apron thickness 16mm (5/8") for our USE58 series slides

Maximum apron thickness 19mm (3/4") for our USE34 series slides

One pair of our drawer clips are required per shelf
Installation screws are provided

Base & Wall Solutions: Dovetail Drawer Boxes



Ordering specifications:

- Standard Drawer, Rollout, or High-Back Rollout Boxes
- Assembled or Unassembled
- Standard Heights with Custom Depth & Width
- 1/4" Standard or 1/2" Bottom
- Optional Universal Notch for Undermount Slides
- Optional Undermount Slide Clip factory installed

Easy Online Ordering & Instant Price Quoting

See website for details

Production and delivery:

- Competitive pricing
- Standard 7 Day Turnaround after order confirmation
- Quick-to-Ship production on qualifying states

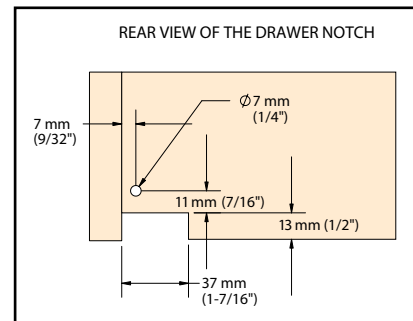
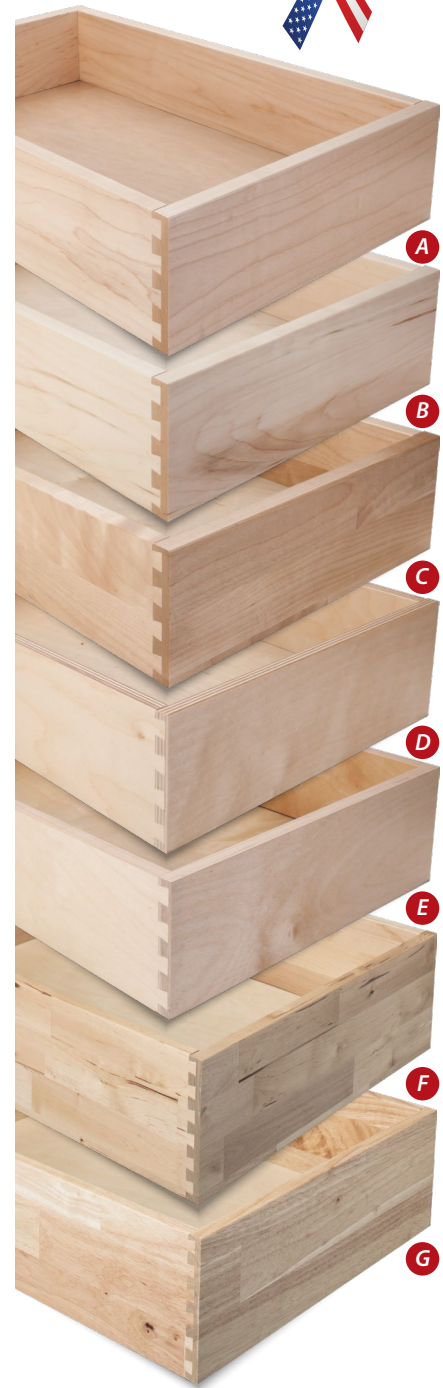
- A** 5/8" Hard Maple UV Coated or Unfinished
- B** 5/8" Aspen UV Coated
- C** 5/8" White Birch, Imported, Fingerjointed. UV Coated
- D** 1/2" Birch Plywood UV Coated or Unfinished
- E** 1/2" Birch Plywood Edgebanded UV Coated
- F** 5/8" Rustic White Birch, Imported, Fingerjointed . . UV Coated
- G** 5/8" Rubberwood, Imported, Fingerjointed UV Coated

HEIGHT OPTIONS	2"	2.5"	3"	3.5"	4"	5"	6"	7"	8"	9"	9.5"	10"	11"	12"
1/2" Birch Plywood	x	x	x	x	x	x	x	x	x	x	x	x	x	
1/2" Edgebanded Plywood		x	x			x	x	x	x	x		x	x	
5/8" Hardwoods	x	x	x	x	x	x	x	x	x	x	x	x	x	x
High-Back (all species)							x	x	x	x	x	x	x	x

*All high-back drawers will have a 3" front and a scoop cutout on the front face. 6" minimum height.

SIZING	Min. Depth	Max Depth	Min. Width (without clips)	Min. Width (with 4 & 6-way clips)	Min. Width (with 2-way clips)	Max Width	Min. Height
Standard Drawer							
5/8" Material	7"	51"	6"	7-1/4"	6-1/4"	51"	2"
1/2" Material	7"	51"	6"	7"	6"	51"	2"
Rollout Drawer							
5/8" Material	7"	51"	6"	7-1/4"	6-1/4"	51"	2"
1/2" Material	7"	51"	6"	7"	6"	51"	2"
High-Back Rollout							
5/8" Material	12"	51"	5-1/2"	7-1/4"	6-1/4"	51"	6"
1/2" Material	12"	51"	5-1/2"	7"	6"	51"	6"

Drawer boxes are manufactured in the USA by Hardware Resources. Hard Maple and Aspen are North American hardwoods. White Birch, Rustic White Birch, and Rubberwood are imported A/B grade hardwood, laminated and jointed. Birch plywood is Carb Compliant 9-ply high density plywood with no internal voids. UV cured coating is 100% solid and contains no VOC. Each UV coated piece is double coated to ensure a lasting finish.





Base & Wall Solutions: Dovetail Drawer Boxes

Cabinet
Organizers



High-Back Rollout
(minimum 6" height)



Rollout

Complimentary High Definition Laser Engraving on Hardwood Boxes

- Upcharge per box for plywood only
- Simply provide a high-resolution file of your logo. We'll do the rest!
- Accepted file types are EPS, AI, PDF, PSD, JPEG, TIFF
- Maximum logo size is 1-1/2" tall x 6" long
- Minimum box height for engraving is 3"
- Not available on high-back rollouts or boxes over 24" deep
- Placed on the front left inside edge of the box
- One logo per customer. Logos are kept on file for future orders
- *Don't have a logo? Choose from our preselected fonts to customize your company name*



Drawer Box Linear Material



White Birch, Fingerjointed

	Height	Thickness	Coating	Ctn Qty
DW58X030	3"	5/8"	UV Coated	80LF
DW58X035	3-1/2"	5/8"	UV Coated	80LF
DW58X040	4"	5/8"	UV Coated	80LF
DW58X060	6"	5/8"	UV Coated	40LF
DW58X080	8"	5/8"	UV Coated	40LF
DW58X100	10"	5/8"	UV Coated	40LF

White Birch drawer box linear material is sold in 8' lengths in full carton quantity only



Aspen

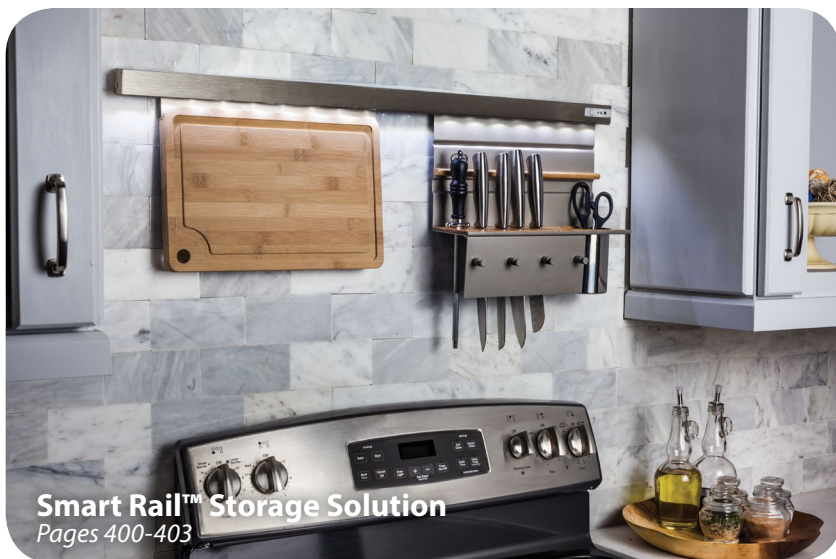
	Height	Thickness	Coating	Ctn Qty
DA58X030	3"	5/8"	UV Coated	80LF
DA58X040	4"	5/8"	UV Coated	80LF
DA58X060	6"	5/8"	UV Coated	72LF
DA58X080	8"	5/8"	UV Coated	56LF
DA58X100	10"	5/8"	UV Coated	56LF

Aspen drawer box linear material is sold in random lengths of 5' - 8'

Wall Cabinet Solutions



Wall Cabinet Pullout
Page 398



Smart Rail™ Storage Solution
Pages 400-403



Wire Tray Divider
Page 404

Wall Cabinet Solutions

Maximize cabinet storage with Hardware Resources' wall cabinet solutions. From cabinet pullouts and bakeware organizers to spice racks and wine accessories, we can help you make the most of a beautiful and organized kitchen.



Wall Filler Pullout
Page 399



Wooden Bottle & Stemware Racks
Page 408



Wooden Spice Rack
Pages 406-407

Wall Cabinet Solutions: Wall Pullouts

EASY TO INSTALL

IN EXISTING CABINETS

- Used in 9" and 12" wall cabinets
- Adjustable middle & top shelves
- Solid birch and birch plywood construction with clear UV finish
- Featuring 303FU Series full extension 100 lb ball bearing slides
- Ships preassembled and quickly installs to cabinet floor with 4 screws (not included)

Ships Fully Assembled



	Width	Depth	Height	Min. Opening	Standard Cabinet Size	Ctn Qty
WPO5	5"	10-1/2"	24"	6"	9" wall	1
WPO8	8"	10-1/2"	24"	9"	12" wall	1

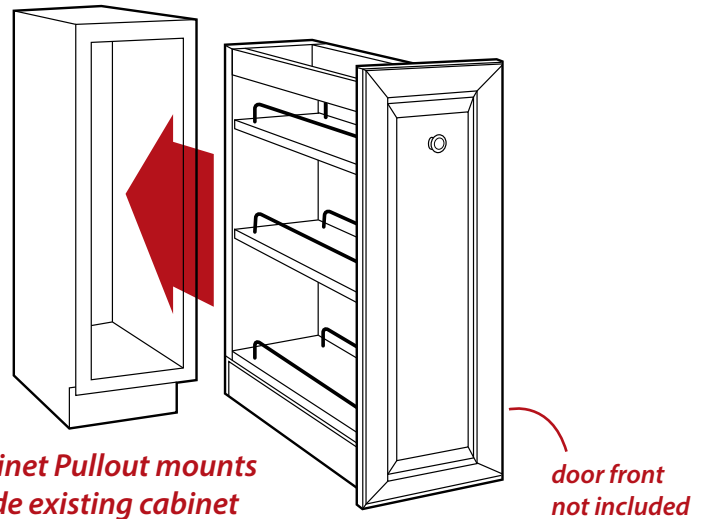
Recommended screw:

#8 flat head



Extra Shelves & Rails Ctn Qty

WPO5-ES	Extra shelf for WPO5	1
WPO8-ES	Extra shelf for WPO8	1
RAIL-7-PC	Extra rail for WPO series	50



Wall Cabinet Solutions: Wall Filler Pullouts

Cabinet
Organizers

- Used in 3" and 6" wide wall cabinet applications
- Installs in dead space between wall cabinets
- Two adjustable middle shelves
- Solid birch and birch plywood construction with clear UV finish
- Featuring 303FU Series full extension 100 lb ball bearing slides
- Ships preassembled and quickly installs to adjacent wall cabinets using predrilled pilot holes

**Ships Fully
Assembled**



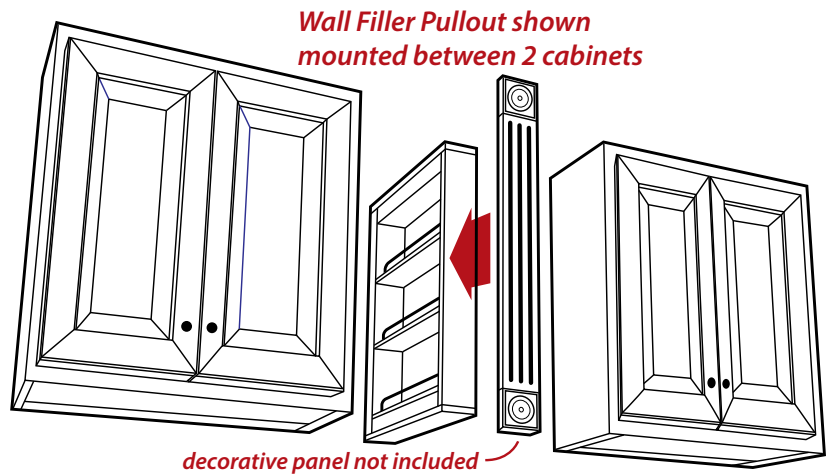
	Width	Depth	Height	Ctn Qty
WFPO330	3"	11-1/8"	30"	1
WFPO630	6"	11-1/8"	30"	1
WFPO336	3"	11-1/8"	36"	1
WFPO636	6"	11-1/8"	36"	1
WFPO342	3"	11-1/8"	42"	1
WFPO642	6"	11-1/8"	42"	1

Recommended screw: #6 face frame



Extra Shelves & Rails Ctn Qty

WFPO3-ES	Extra shelf for 3" WFPO	1
WFPO6-ES	Extra shelf for 6" WFPO	1
RAIL-7-PC	Extra rail for WFPO series	50



Wall Cabinet Solutions: Smart Rail™ Storage Solution



Wall Cabinet Solutions: Smart Rail™ Storage Solution

EASY TO INSTALL
IN EXISTING CABINETS

Pieces sold individually
Fully customizable modular system
Rail is available with or without LED
LED Rail is motion activated and rechargeable with included 16' USB plug
Rail attaches to wall with included cleats and screws

All accessories lock into a groove on the rail, and position can be adjusted and multiple accessories used
Stylish brushed aluminum finish with bamboo accents
Mount Smart Rail above stove, under wall cabinets or in place of wall cabinets



Rails

	Description	Width	Depth	Height	Ctn Qty
A	SRSS999-LED Hang Rail with LED lights for Smart Rail™ Storage Solution	35-7/16"	1-1/2"	1-3/8"	1
B	SRSS999 Hang Rail for Smart Rail™ Storage Solution	35-7/16"	1-1/2"	1-3/8"	1



Wall Cabinet Solutions: Smart Rail™ Storage Solution



	Description	Width	Depth	Height	Ctn Qty
C	SRSS960-BAM Hanging Cutting Board for Smart Rail™ Storage Solution	19"	1-3/8"	10-1/4"	1
D	SRSS940-BAM Knife-Block Combo Hanging Shelf for Smart Rail™ Storage Solution	13-3/4"	5-1/2"	12"	1



	Description	Width	Depth	Height	Ctn Qty
E	SRSS950-BAM Hanging Paper Towel Holder for Smart Rail™ Storage Solution	15-3/4"	5-3/16"	4"	1
F	SRSS970-BAM Hanging 5 Hook Shelf for Smart Rail™ Storage Solution	17-1/2"	1-1/2"	4"	1

Wall Cabinet Solutions: Smart Rail™ Storage Solution



G
Spices not included



H

	Description	Width	Depth	Height	Ctn Qty
G	SRSS980-BAM Hanging 5 Spice Bottle Shelf for Smart Rail™ Storage Solution	17-1/2"	2"	4"	1
H	SRSS920-BAM Single Hanging Shelf for Smart Rail™ Storage Solution	13-3/4"	4-1/2"	8"	1



J



K



L

	Description	Width	Depth	Height	Ctn Qty
J	SRSS910 Single Top Shelf for Smart Rail™ Storage Solution	13-13/16"	4-3/8"	13/16"	1
K	SRSS900-BAM Single Hook for Smart Rail™ Storage Solution	1-13/16"	1-13/16"	1-7/16"	1
L	SRSS930-BAM Canister Hanging Shelf for Smart Rail™ Storage Solution	13-3/4"	4-1/2"	12"	1

Wall Cabinet Solutions: Wire Tray Divider

EASY TO INSTALL
IN EXISTING CABINETS



**Installation
Screws
Included**

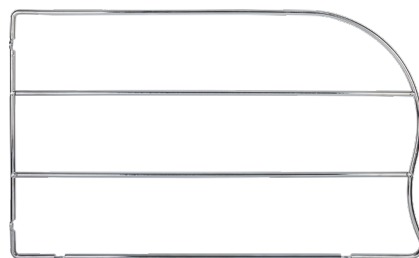
Easily and quickly installs with four screws, screws included

Completely versatile organization – use multiple tray dividers and mix and match sizes to customize your storage

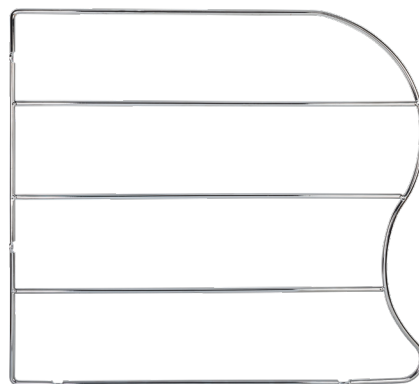
Place multiple dividers at any spacing – narrow for baking sheets and wider for cutting boards and baking dishes

Polished Chrome finish

Sold individually



TD12-PC



TD18-PC

	Width	Depth	Height	Standard Cab. Size	Ctn Qty
TD12-PC	1/4"	20"	12"	base or pantry	1
TD18-PC	1/4"	20"	18"	base or pantry	1



Wall Cabinet Solutions: Wooden Tray Divider

Cabinet
Organizers

EASY TO INSTALL
IN EXISTING CABINETS



Stores pans, platters, plates, and baking sheets

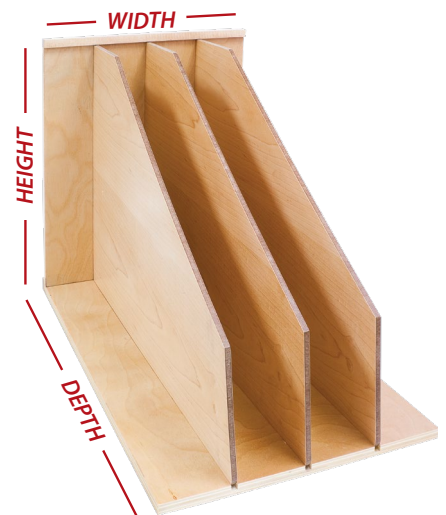
For 24" depth and 12" width cabinets (can be trimmed to smaller width)

Three removable dividers insert to allow 4 separate storage units with 2-3/4" interior storage width

Solid birch and birch plywood construction with clear UV finish

Ships flat pack

Easy to assemble



	Width	Depth	Height	Standard Cab. Size	Ctn Qty
TD3	11-3/4"	22-1/4"	16"	15" base or pantry	5

Recommended
screw:

#8 flat head

Wall Cabinet Solutions: Door Mounted Spice Racks



Wall Cabinet Solutions: Door Mounted Spice Racks

Door Mount Spice Rack with Adjustable Shelves

Installs to back of cabinet door and holds wide variety of spice jars, containers, and bottles

Ships with two support rails (22-3/8", 25-3/8", or 28-3/8" wide) which can be cut to size and allow installation to door stile

Three shelves: lower shelf is fixed, and two upper shelves are adjustable

Solid birch and birch plywood construction with clear UV finish

EASY TO INSTALL
IN EXISTING CABINETS



	Width	Depth	Height	Min. Opening	Standard Cab. Size	Ctn Qty
SPR9A	9-1/2"	4"	24"	12"	15" wall or base	5
SPR12A	12-1/2"	4"	24"	15"	18" wall or base	5
SPR15A	15-1/2"	4"	24"	18"	21" wall or base	5

Recommended screw: #8 pan head

Extra Rails

	Length	Height	Ctn Qty	Use with HR Part #
RAIL-9-PC	9-1/4"	1-3/4"	50	SPR12A
RAIL-12-PC	12-1/4"	1-3/4"	50	SPR15A



Wall Cabinet Solutions: Wooden Stemware Rack



Wooden Stemware Rack

Used in 18", 30" or 36" wide spaces to hold 4, 7 or 8 rows of glasses

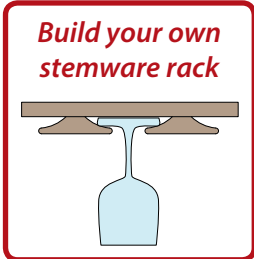
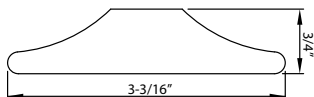
For 12" deep cabinets (width and depth can be trimmed to fit smaller applications)

Solid wood is sanded and can be finished to match the application

Quickly installs using #6 x 1" pan head screws (provided)



	Species	Rows	Width	Depth	Height	Ctn Qty
SR18	Maple	4	18"	12"	1-1/2"	5
SR18ALD [†]	Alder	4	18"	12"	1-1/2"	5
SR30	Maple	7	30"	12"	1-1/2"	5
SR30ALD [†]	Alder	7	30"	12"	1-1/2"	5
SR36	Maple	8	36"	12"	1-1/2"	5



Wooden Stemware Moulding

Cut to any length

Sold in 8' sticks

	Species	Width	Depth	Ctn Qty
STMW-ALD	Alder	3-3/16"	3/4"	40 LF
STMW-HMP	Hard Maple	3-3/16"	3/4"	40 LF

These products are being retired.
Call for availability on products marked with "†".

Wall Cabinet Solutions: Wooden Wine Bottle Lattice

Can be cut to size

Beveled mouldings with routed face

Mouldings are 5/8" thick x 3/4" wide

3-3/4" x 3-3/4" bottle openings

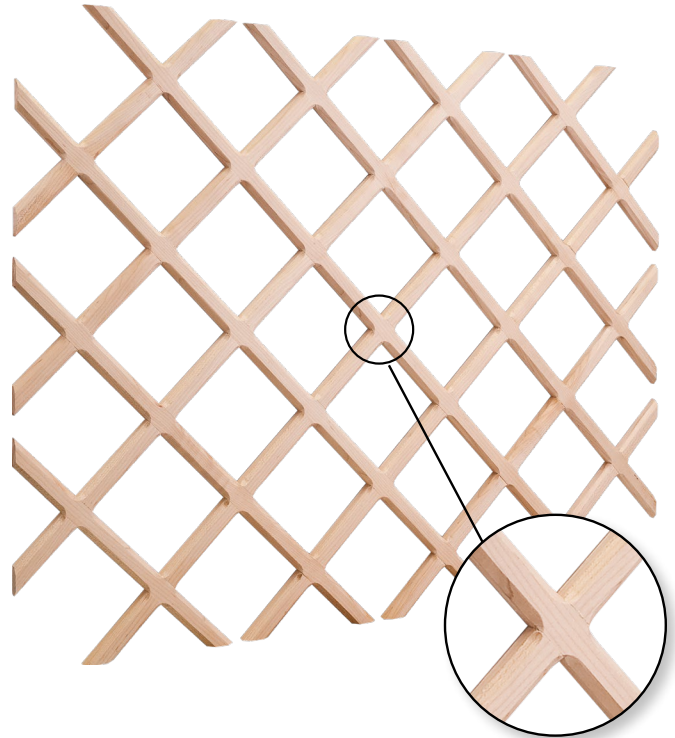
Solid wood is sanded and can be
finished to match the application

Sold by the piece

	<i>Species</i>	<i>Width</i>	<i>Height</i>	<i>Ctn Qty</i>
WR30-2ALD	Alder	24"	30"	10
WR30-2MP	Maple	24"	30"	10
WR30-2OK	Oak	24"	30"	10
WR45-2ALD	Alder	25"	45"	10
WR45-2MP	Maple	25"	45"	10
WR45-2OK	Oak	25"	45"	10
WR48-2ALD	Alder	36"	48"	10
WR48-2MP	Maple	36"	48"	10
WR48-2OK	Oak	36"	48"	10

**Recommended
screw:**

#6 flat head



Can be cut to size

Mouldings are 3/4" thick x 7/16" wide

4" x 4" bottle openings

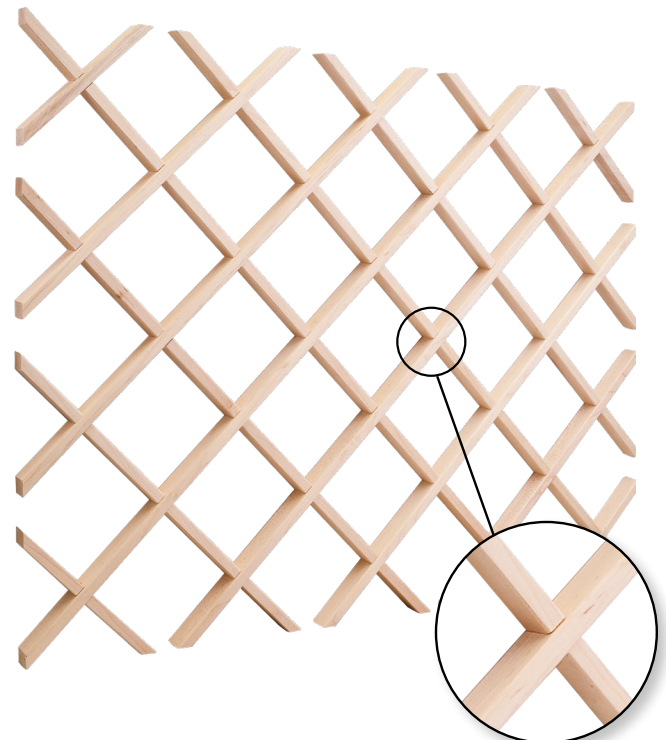
Solid maple is sanded and can be
finished to match the application

Sold by the piece

	<i>Species</i>	<i>Width</i>	<i>Height</i>	<i>Ctn Qty</i>
WR30MP	Maple	24"	30"	10
WR36MP	Maple	36"	36"	10

**Recommended
screw:**

#6 flat head



Wall Cabinet Solutions: Wooden Bottle Rack & Wire Stemware



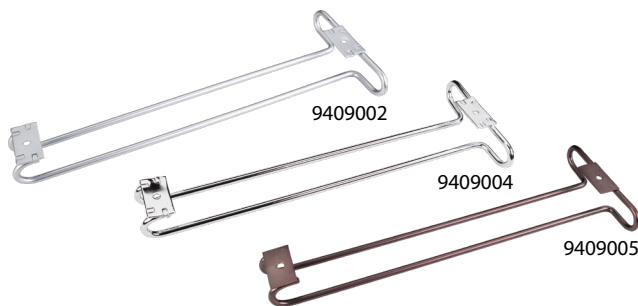
Wire Stemware Rack

EASY TO INSTALL
IN EXISTING CABINETS

Thick wire gauge construction

Under-cabinet mount with hidden installation holes

Screws not included



	Finish	Front Width	Rear Width	Length	Ctn Qty
9409002	Satin Chrome	4"	1-3/8"	11-7/16"	100
9409004	Polished Chrome	4"	1-3/8"	11-7/16"	100
9409005	Brushed Oil Rubbed Bronze	4"	1-3/8"	11-7/16"	100

Recommended screw: #6 flat head

Wooden Bottle Rack

Use in 24", 30" or 48" wide spaces to hold 5, 6 or 10 bottles

Can also be trimmed to fit into 18" minimum spaces

Install to base of cabinet or multiple units can be stacked

Solid wood is sanded and can be finished to match the application


Ships with front and back rails

Screws not included



	Species	# Bottles	Width	Depth	Height	Ctn Qty
BR24	Maple	5	24"	3/4"	2"	20
BR24ALD [†]	Alder	5	24"	3/4"	2"	20
BR30	Maple	6	30"	3/4"	2"	20
BR48	Maple	10	48"	3/4"	2"	20
BR48ALD [†]	Alder	10	48"	3/4"	2"	20

Recommended screw: #8 flat head

 These products are being retired.
Call for availability on products marked with "†".

Easy-to-install
**CABINET
ORGANIZERS**



Organize Your Kitchen in
11 minutes
or less™





It's That Easy!



1 Measure

Measure your cabinet's interior width, depth and height. Hold your tape parallel to the cabinet's walls. Note any pipes, shelves, or hinges that may affect actual available space.



2 Set

Set your organizer in place making sure you can open and close the cabinet door easily. If the organizer installs on the cabinet door, consider marking two points to help with alignment.



3 Secure

Using your Phillips screwdriver and the screws provided, secure your organizer in place.

Measuring Tape

Phillips Screwdriver



All you need:



Pencil (optional)



11 Minutes!

Retail packed with easy installation instructions and hardware

Lifetime warranty

Minimal tools required

Installs with 4 screws or less

Minimum opening & cabinet sizes

Recommended standard cabinet sizes & opening sizes

Trilingual: English, Spanish, French

Product dimensions

Features & benefits

Easy installation

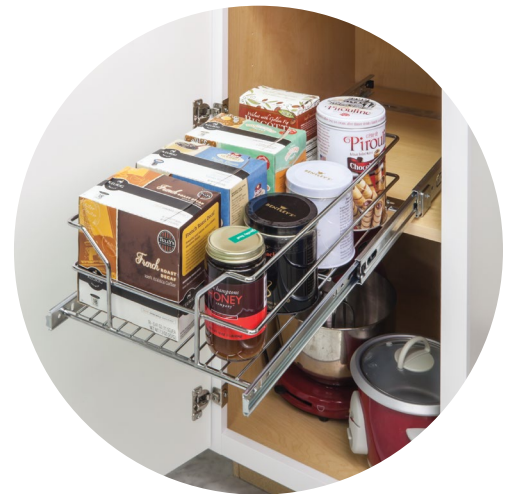
QR code link to more information

Organize Your Kitchen in **11 minutes** or less 

Pullout Baskets

Easy Install Organizers

Retail Packed



Great for organizing your cookware or pantry
Full extension ball bearing slides

Heavy duty wire construction
Quickly mounts to cabinet floor or fixed shelf using four screws (included)

	Description	Finish	Width	Depth	Height	Min. Opening	Fits Standard Cabinet Size	Ctn Qty
MBPO15-R	Pullout Basket	Polished Chrome	11-3/8"	19-11/16"	6-3/16"	12"	15" base	3
MBPO18-R	Pullout Basket	Polished Chrome	14-3/8"	19-11/16"	6-3/16"	15"	18" base	3
MBPO21-R	Pullout Basket	Polished Chrome	17-3/8"	19-11/16"	6-3/16"	18"	21" – 24" base	3

Trash Can Pullout

Organize Your Kitchen in **11 minutes** or less



Retail Packed



Cans Sold Separately

Use optional door mounting kit for door pullout application

- Heavy duty 100 lb full extension ball bearing slides
- Thick wire frame construction
- Durable polymer trash cans are easily cleaned
- Cans and lids sold separately
- Quickly mounts to cabinet floor using four screws (included)

- Wire handle included
- Optional 6-way adjustable door mounting kit for door pullout application
- Retail packed with English, French and Spanish translations
- Note:** Double 50 qt unit requires full height cabinet

	Description	Finish	Width	Depth	Height	Min. Opening	Fits Standard Cabinet Size	Ctn Qty
CAN-EBMSB-R	Single Can Unit for 35 qt or 50 qt	Black	10-1/4"	22-1/16"	13"	12"	15" - 18" base	5
CAN-EBMSPC-R	Single Can Unit for 35 qt or 50 qt	Polished Chrome	10-1/4"	22-1/16"	13"	12"	15" - 18" base	5
CAN-EBMSW-R	Single Can Unit for 35 qt or 50 qt	White	10-1/4"	22-1/16"	13"	12"	15" - 18" base	5
CAN-EBMDB-R	Double Can Unit for 35 qt only	Black	13-15/16"	22"	13"	15"	18" - 24" base	4
CAN-EBMDPC-R	Double Can Unit for 35 qt only	Polished Chrome	13-15/16"	22"	13"	15"	18" - 24" base	4
CAN-EBMDW-R	Double Can Unit for 35 qt only	White	13-15/16"	22"	13"	15"	18" - 24" base	4
CAN-EBMD50B-R	Double Can Unit for 50 qt only	Black	15-3/16"	22-1/16"	12-13/16"	15"	18" - 24" base	4
CAN-EBMD50PC-R	Double Can Unit for 50 qt only	Polished Chrome	15-3/16"	22-1/16"	12-13/16"	15"	18" - 24" base	4
CAN-EBMD50W-R	Double Can Unit for 50 qt only	White	15-3/16"	22-1/16"	12-13/16"	15"	18" - 24" base	4
CAN-DOORKIT	Door Mounting Kit	Black	2-1/2"	5-1/4"	6-5/8"		-	24
CAN-DOORKITPC	Door Mounting Kit	Polished Chrome	2-1/2"	5-1/4"	6-5/8"		-	24
CAN-DOORKITW	Door Mounting Kit	White	2-1/2"	5-1/4"	6-5/8"		-	24

Retail Packed

Cans available in 2 sizes and 3 standard colors – black, grey & white

Lids available in 3 standard colors plus green for recycling

High-quality polymer material is durable and easy to clean

Compatible with any of our trash can pullouts



	Description	Can Color	Width	Depth	Height	Ctn Qty
CAN-35	35 qt Polymer Can	Black	9-7/16"	14-1/2"	18"	10
CAN-35W	35 qt Polymer Can	White	9-7/16"	14-1/2"	18"	10
CAN-35GRY	35 qt Polymer Can	Grey	9-7/16"	14-1/2"	18"	10
CAN-35LID	Lid for 35 qt Polymer Can	Black	9-3/8"	14-1/2"	1-5/8"	10
CAN-35LIDW	Lid for 35 qt Polymer Can	White	9-3/8"	14-1/2"	1-5/8"	10
CAN-35LIDGRY	Lid for 35 qt Polymer Can	Grey	9-3/8"	14-1/2"	1-5/8"	10
CAN-35LIDG	Lid for 35 qt Polymer Can	Green	9-3/8"	14-1/2"	1-5/8"	10
CAN-50	50 qt Polymer Can	Black	10-1/4"	14-7/8"	22-1/4"	10
CAN-50W	50 qt Polymer Can	White	10-1/4"	14-7/8"	22-1/4"	10
CAN-50GRY	50 qt Polymer Can	Grey	10-1/4"	14-7/8"	22-1/4"	10
CAN-50LID	Lid for 50 qt Polymer Can	Black	10-1/4"	14-5/8"	1-5/8"	10
CAN-50LIDW	Lid for 50 qt Polymer Can	White	10-1/4"	14-5/8"	1-5/8"	10
CAN-50LIDGRY	Lid for 50 qt Polymer Can	Grey	10-1/4"	14-5/8"	1-5/8"	10
CAN-50LIDG	Lid for 50 qt Polymer Can	Green	10-1/4"	14-5/8"	1-5/8"	10



Cleaning Supply Caddy

Organize Your Kitchen in **11 minutes** or less



Retail Packed



New feature:
Ergonomic
Plastic Handle



- NEW** Ergonomic plastic handle
- Removable caddy keeps cleaning supplies organized
- Holds a variety of bottles and boxes
- Mounts easily under your sink, left- or right-handed
- Simply pick it up and take it with you

- Plastic liner tray catches drips
- Full extension ball bearing slides
- Heavy duty wire construction
- 25 lb capacity
- Quickly mounts to cabinet floor using four screws (included)

	Description	Finish	Width	Depth	Height	Min. Opening	Fits Standard Cabinet Size	Ctn Qty
SCPO2-R	Cleaning Caddy Pullout	Polished Chrome	11-5/8"	19-11/16"	15-15/16"	12"	15" - 18" base	2

Organize Your Kitchen in
11 minutes
 or less



Pullout Pot & Lid Organizers

Easy Install
 Organizers

Retail Packed



Lid organizer holds 7 lids
 Pot organizer has adjustable dividers
 Pot organizer holds most cookware sizes and brands

Full extension ball bearing slides
 Heavy duty wire construction
 Quickly mounts to cabinet floor or fixed shelf using four screws (included)

	Description	Finish	Width	Depth	Height	Min. Opening	Fits Standard Cabinet Size	Ctn Qty
A	MPLO215-R Lid Organizer Pullout	Polished Chrome	11-3/8"	19-11/16"	5-3/8"	12"	15" – 18" base	3
B	MPPO215-R Pots Organizer Pullout	Polished Chrome	11-3/8"	19-11/16"	9"	12"	15" – 18" base	3

Door Mounted Tray System

Organize Your Kitchen in **11 minutes** or less



Retail Packed



3" deep tray



6" deep tray

Great for pantries or use it as a spice rack
 Mount in lower cabinet for cleaning supplies or trash bag storage
 Holds cans, jars and packets
 Kit includes 2 pcs of track 18" long and 2 trays

Extra trays sold separately
 Use multiple kits for oversize pantry doors
 Heavy duty wire construction
 Quickly mounts to cabinet door using four screws (included)

	Description	Finish	Width	Depth	Height	Min. Opening	Fits Standard Cabinet Size	Ctn Qty
A	DMS3-PC-R Door Mount Tray System 3"	Polished Chrome	11-9/16"	3-1/8"	18-1/8"	12"	15" - 18" base or wall	6
B	DMS6-PC-R Door Mount Tray System 6"	Polished Chrome	11-9/16"	5-15/16"	18-1/8"	12"	15" - 18" base or wall	4
C	DMT3-PC-R Individual 3" deep tray	Polished Chrome	11"	3-1/16"	2-7/8"	-	-	20
D	DMT6-PC-R Individual 6" deep tray	Polished Chrome	11"	5-7/8"	3-7/16"	-	-	20

Organize Your Kitchen in
11 minutes
 or less



Single Shelf Lazy Susan

Easy Install
 Organizers

Retail Packed

360°
 rotating



- 360 degree revolving tray
- Great for organizing dry goods and cans
- Fits 24" diagonal wall corner cabinet
- Heavy duty wire construction
- Quickly mounts to cabinet floor or fixed shelf using four screws (included)

	Description	Finish	Diameter	Height	Fits Standard Cabinet Size	Ctn Qty
MLSR18-S-R	Single Shelf Lazy Susan	Polished Chrome	17-5/16"	3-13/16"	24" diagonal wall corner	1

3 Tier Spice Rack Pulldown

Organize Your Kitchen in **11 minutes** or less



Retail Packed



- Great for organizing spices and small jars in your cabinets
- Remove clutter of small, hard to reach items
- Simple pull-down motion gives access to 3 tiers of organization
- Quickly mounts to cabinet floor or fixed shelf using four screws (included)
- Designed for 18" standard wall cabinets



Scan to watch the installation video
<http://delivr.com/2JJWY>



	Description	Finish	Width	Depth	Height	Min. Opening	Fits Standard Cabinet Size	Ctn Qty
TTSPD-R NEW	3-Tier Spice Pulldown	Polished Chrome	14-9/16"	10-9/16"	8-5/8"	15"	18" wall cabinet	1

Organize Your Kitchen in
11 minutes
 or less



Over the Door Towel Bar

Easy Install
Organizers

Retail Packed



Stainless Steel construction

No screws required – simply hang
it over the cabinet door

Fits standard cabinet doors &
drawers (5/8"–3/4" thick)

Perfect for kitchens and bathrooms

	<i>Finish</i>	<i>Width</i>	<i>Depth</i>	<i>Height</i>	<i>Ctn Qty</i>
OTDTHSS-R	Stainless Steel	9-3/4"	2-3/8"	2-13/16"	1

Sink Front Tipout Trays

Organize Your Kitchen in **11 minutes** or less



Retail Packed



! Shown using 2 hinges. Kit includes 4 hinges for installation on 1 or 2 fronts.

See page 374-375 for individually packaged hinges and trays

- Convert faux drawer panels to functional storage space
- Kit includes two trays, four self-closing tipout hinges and installation screws
- Tray is easily removable for cleaning
- Slim design for use with large sinks

	<i>Finish</i>	<i>Width</i>	<i>Depth</i>	<i>Height</i>	<i>Ctn Qty</i>
TO11-R	White	11"	2"	3"	4 kits
TOSS11-R	Stainless Steel	11"	2"	3"	4 kits
TO11S-R	White	11"	1-9/16"	3"	4 kits
TOSS11S-R	Stainless Steel	11"	1-9/16"	3"	4 kits
TO14-R	White	14"	2"	3"	4 kits
TOSS14-R	Stainless Steel	14"	2"	3"	4 kits
TO14S-R	White	14"	1-9/16"	3"	4 kits
TOSS14S-R	Stainless Steel	14"	1-9/16"	3"	4 kits

Retail Packed

Under Cabinet Stemware Rack

- Mounts under the cabinet
- Holds 3 glasses
- Coordinates with Wine Bottle Rack
- Heavy duty wire construction
- Quickly mounts to cabinet with 2 screws (included)

	Finish	Width	Depth	Height	Ctn Qty
STEM1-DBAC-R	Brushed Oil Rubbed Bronze	4-1/16"	9-1/16"	1"	8
STEM1-PC-R	Polished Chrome	4-1/16"	9-1/16"	1"	8
STEM1-SN-R	Satin Nickel	4-1/16"	9-1/16"	1"	8



Under Cabinet Bottle Rack

- Mounts under the cabinet
- Holds 2 bottles
- Coordinates with Stemware Rack
- Heavy duty wire construction
- Quickly mounts to cabinet with 4 screws (included)

	Finish	Width	Depth	Height	Ctn Qty
WBH-DBAC-R	Brushed Oil Rubbed Bronze	3-15/16"	9-5/16"	9-1/16"	3
WBH-PC-R	Polished Chrome	3-15/16"	9-5/16"	9-1/16"	3
WBH-SN-R	Satin Nickel	3-15/16"	9-5/16"	9-1/16"	3





Retail Packed



U-Shaped Tray Divider

Organize baking sheets, trays, cutting boards

Use multiple Tray Dividers to customize storage

Heavy duty wire construction

Quickly mounts to cabinet bottom with 4 screws (included)

	Finish	Width	Depth	Height	Ctn Qty
TD-PC-R	Polished Chrome	3-7/16"	11-3/4"	9-15/16"	3



3-Tier Dishcloth Rack

Mounts to inside of cabinet door

Holds 3 towels

Heavy duty wire construction

Quickly mounts to cabinet door with 2 screws (included)

	Finish	Width	Depth	Height	Min. Opening	Ctn Qty
DTH-PC-R	Polished Chrome	12-3/4"	15/16"	6-1/16"	15"	8

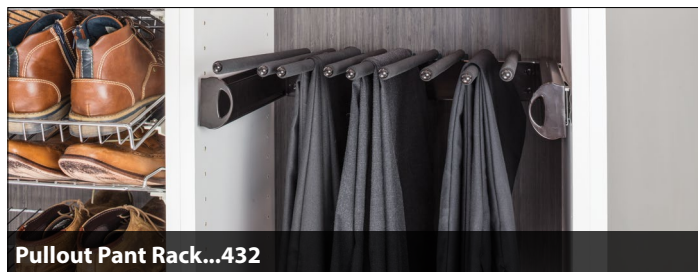
Make closet organization a whole lot easier



Pullout Plastic Hamper...431



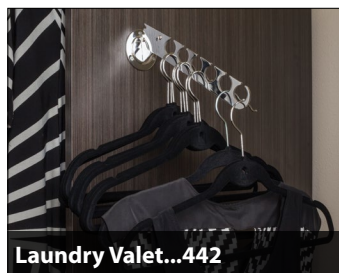
Pullout Canvas Hamper...430



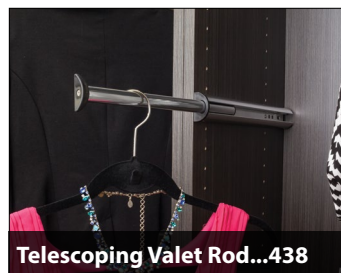
Pullout Pant Rack...432



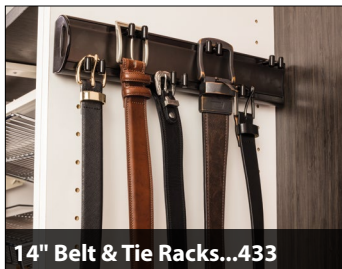
Wardrobe Lifts...440



Laundry Valet...442



Telescoping Valet Rod...438



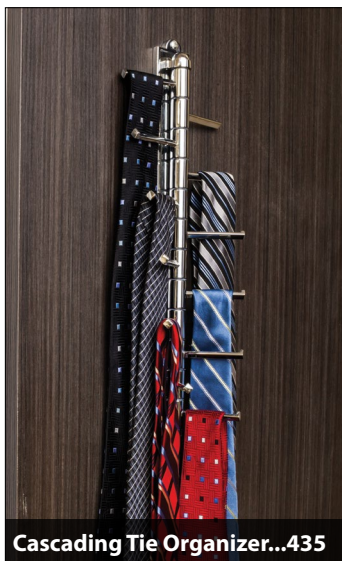
14" Belt & Tie Racks...433



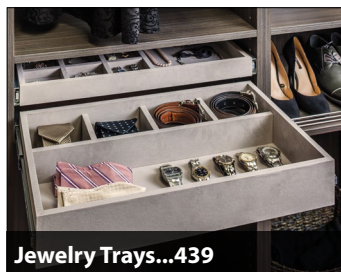
Tri-Level Tie Organizer...434



Pullout Baskets...427



Cascading Tie Organizer...435



Jewelry Trays...439



Closet Rods...432



Shoe Fences...426

Shoe Fences



Keeps shoes and other items from sliding off closet shelves

Allows for easy organization of shoes and other items on a shelf

Available in 17", 23" and 29" lengths

Heavy duty steel railing available in our most popular finishes: Dark Bronze, Chrome and Satin Nickel

Easy to install with press-in dowels

Designed to fit in 5 mm holes on 32 mm spacing



17" Shoe Fence

23" Shoe Fence

29" Shoe Fence

Dimensions

17" W x 1/2" D x 1-3/16" H

23" W x 1/2" D x 1-3/16" H

29" W x 1/2" D x 1-3/16" H

Dark Bronze

SF17-ORB

SF23-ORB

SF29-ORB

Polished Chrome

SF17-PC

SF23-PC

SF29-PC

Satin Nickel

SF17-SN

SF23-SN

SF29-SN

6 pcs/box
60 pcs/ctn

6 pcs/box
48 pcs/ctn

6 pcs/box
36 pcs/ctn

Pullout Baskets



Chrome Basket




Dark Bronze Basket



Satin Nickel Basket

- 100 lb full extension ball bearing slides included
- Heavy duty wire construction
- Rubber covers on slide hooks keep basket securely in place but allow easy removal of basket
- Closed corners allow smaller items to be stored without falling out
- Available finishes: Chrome, Dark Bronze and Satin Nickel
- For closets 14" deep or 16" deep



1 mm thick clear plastic material with opaque finish

Fitted to basket bottom for easy drop-in installation

Creates a smooth bottom surface for pantry applications

Plastic Liner



Thick canvas material with velcro closures

Machine washable

Fitted to basket even after washing

Great for delicate clothing in closet applications

Canvas Liner

Pullout Baskets

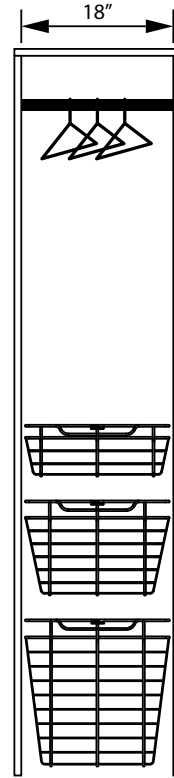
For 18" wide closets

14" Depth Basket

Dimensions	17" W x 14" D x 6" H	17" W x 14" D x 11" H	17" W x 14" D x 17" H
Chrome Basket	POB1-14176CH	POB1-141711CH	POB1-141717CH
Dark Bronze Basket	POB1-14176ORB	POB1-141711ORB	POB1-141717ORB
Satin Nickel Basket	POB1-14176SN	POB1-141711SN	POB1-141717SN
Canvas Liner	BCL-14176-TAN	BCL-141711-TAN	BCL-141717-TAN*
Plastic Liner	POB1PL-14176	POB1PL-141711	POB1PL-141717*
Recommended screw:	#8 truss head or 7 mm Euro screw	#8 truss head or 7 mm Euro screw	#8 truss head or 7 mm Euro screw
	4 pcs/master	4 pcs/master	4 pcs/master

16" Depth Basket

Dimensions	17" W x 16" D x 6" H	17" W x 16" D x 11" H	17" W x 16" D x 17" H
Chrome Basket	POB1-16176CH	POB1-161711CH	POB1-161717CH
Dark Bronze Basket	POB1-16176ORB	POB1-161711ORB	POB1-161717ORB
Satin Nickel Basket	POB1-16176SN	POB1-161711SN	POB1-161717SN
Canvas Liner	BCL-16176-TAN	BCL-161711-TAN	BCL-161717-TAN*
Plastic Liner	POB1PL-16176	POB1PL-161711	POB1PL-161717*
Recommended screw:	#8 truss head or 7 mm Euro screw	#8 truss head or 7 mm Euro screw	#8 truss head or 7 mm Euro screw
	4 pcs/master	4 pcs/master	4 pcs/master



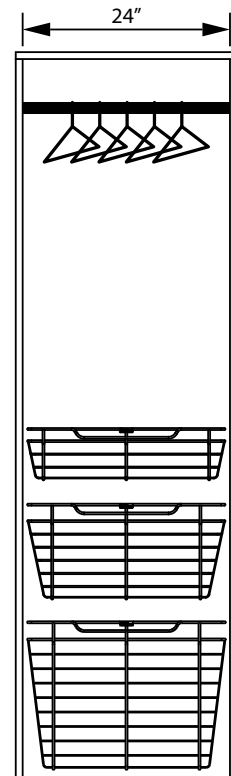
For 24" wide closets

14" Depth Basket

Dimensions	23" W x 14" D x 6" H	23" W x 14" D x 11" H	23" W x 14" D x 17" H
Chrome Basket	POB1-14236CH	POB1-142311CH	POB1-142317CH
Dark Bronze Basket	POB1-14236ORB	POB1-142311ORB	POB1-142317ORB
Satin Nickel Basket	POB1-14236SN	POB1-142311SN	POB1-142317SN
Canvas Liner	BCL-14236-TAN	BCL-142311-TAN	BCL-142317-TAN*
Plastic Liner	POB1PL-14236	POB1PL-142311	POB1PL-142317*
Recommended screw:	#8 truss head or 7 mm Euro screw	#8 truss head or 7 mm Euro screw	#8 truss head or 7 mm Euro screw
	4 pcs/master	4 pcs/master	4 pcs/master

16" Depth Basket

Dimensions	23" W x 16" D x 6" H	23" W x 16" D x 11" H	23" W x 16" D x 17" H
Chrome Basket	POB1-16236CH	POB1-162311CH	POB1-162317CH
Dark Bronze Basket	POB1-16236ORB	POB1-162311ORB	POB1-162317ORB
Satin Nickel Basket	POB1-16236SN	POB1-162311SN	POB1-162317SN
Canvas Liner	BCL-16236-TAN	BCL-162311-TAN	BCL-162317-TAN*
Plastic Liner	POB1PL-16236	POB1PL-162311	POB1PL-162317*
Recommended screw:	#8 truss head or 7 mm Euro screw	#8 truss head or 7 mm Euro screw	#8 truss head or 7 mm Euro screw
	4 pcs/master	4 pcs/master	4 pcs/master



Pullout Baskets

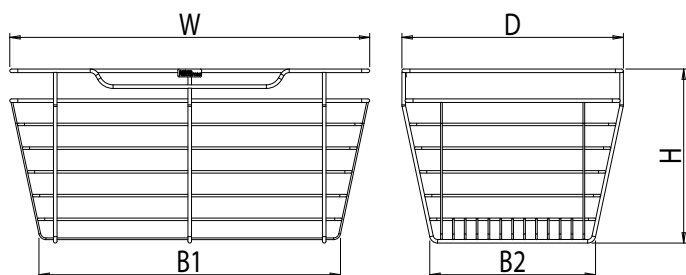
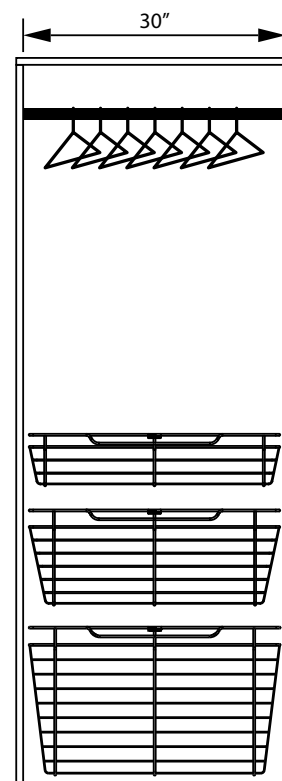
For 30" wide closets

14" Depth Basket

Dimensions	29" W x 14" D x 6" H	29" W x 14" D x 11" H	29" W x 14" D x 17" H
Chrome Basket	POB1-14296CH	POB1-142911CH	POB1-142917CH
Dark Bronze Basket	POB1-14296ORB	POB1-142911ORB	POB1-142917ORB
Satin Nickel Basket	POB1-14296SN	POB1-142911SN	POB1-142917SN
Canvas Liner	BCL-14296-TAN	BCL-142911-TAN	BCL-142917-TAN*
Plastic Liner	POB1PL-14296	POB1PL-142911	POB1PL-142917*
Recommended screw:	#8 truss head or 7 mm Euro screw	#8 truss head or 7 mm Euro screw	#8 truss head or 7 mm Euro screw
	4 pcs/master	4 pcs/master	4 pcs/master

16" Depth Basket

Dimensions	29" W x 16" D x 6" H	29" W x 16" D x 11" H	29" W x 16" D x 17" H
Chrome Basket	POB1-16296CH	POB1-162911CH	POB1-162917CH
Dark Bronze Basket	POB1-16296ORB	POB1-162911ORB	POB1-162917ORB
Satin Nickel Basket	POB1-16296SN	POB1-162911SN	POB1-162917SN
Canvas Liner	BCL-16296-TAN	BCL-162911-TAN	BCL-162917-TAN*
Plastic Liner	POB1PL-16296	POB1PL-162911	POB1PL-162917*
Recommended screw:	#8 truss head or 7 mm Euro screw	#8 truss head or 7 mm Euro screw	#8 truss head or 7 mm Euro screw
	4 pcs/master	4 pcs/master	4 pcs/master



	W	D	H	B1	B2
POB1-141711	17"	14"	11"	13-1/16"	10-1/2"
POB1-161711	17"	16"	11"	13-1/16"	12-1/2"
POB1-142311	23"	14"	11"	19-1/16"	10-1/2"
POB1-162311	23"	16"	11"	19-1/16"	12-1/2"
POB1-142911	29"	14"	11"	25-1/16"	10-1/2"
POB1-162911	29"	16"	11"	25-1/16"	12-1/2"

Slides add additional 1" to width

	W	D	H	B1	B2
POB1-14176	17"	14"	6"	15"	12-3/8"
POB1-16176	17"	16"	6"	15"	14-3/8"
POB1-14236	23"	14"	6"	21"	12-3/8"
POB1-16236	23"	16"	6"	21"	14-3/8"
POB1-14296	29"	14"	6"	27"	12-3/8"
POB1-16296	29"	16"	6"	27"	14-3/8"

Slides add additional 1" to width

	W	D	H	B1	B2
POB1-141717	17"	14"	17"	13"	10-9/16"
POB1-161717	17"	16"	17"	13-3/16"	12-9/16"
POB1-142317	23"	14"	17"	19-1/8"	10-9/16"
POB1-162317	23"	16"	17"	19-3/16"	12-9/16"
POB1-142917	29"	14"	17"	25-1/8"	10-9/16"
POB1-162917	29"	16"	17"	25-3/16"	12-9/16"

Slides add additional 1" to width

Pullout Canvas Hamper



100 lb full extension ball bearing slides included

Heavy duty wire frame construction

Heavy duty 19" tall black nylon bag featuring ventilated mesh sides and central divider

Bag is easily removable and includes carry handles

For closets 14" deep or 18" deep



For 18" wide closets

14" Depth Hamper

Dimensions 17" W x 14" D x 22-1/2" H

Chrome Frame POHS-14PC

Dark Bronze Frame POHS-14ORB

Satin Nickel Frame POHS-14SN

Replacement bag POHS14-BAG

Recommended screw: #8 truss head or 7 mm Euro screw

4 pcs/master

For 24" wide closets

18" Depth Hamper

Dimensions 23" W x 18" D x 22-1/2" H

Chrome Frame POHS-18PC

Dark Bronze Frame POHS-18ORB

Satin Nickel Frame POHS-18SN

Replacement bag POHS18-BAG

Recommended screw: #8 truss head or 7 mm Euro screw

4 pcs/master

Pullout Plastic Hamper



- Chrome wire pullout with white plastic hamper and lid included
- Designed to fit in a 14" deep, 24" wide closet opening
- Features 100 lb full-extension ball bearing slides
- Mounts to the closet bottom
- Optional door mounting bracket sold separately (item # CAN-DOORKITPC)
- Installs with just 4 screws



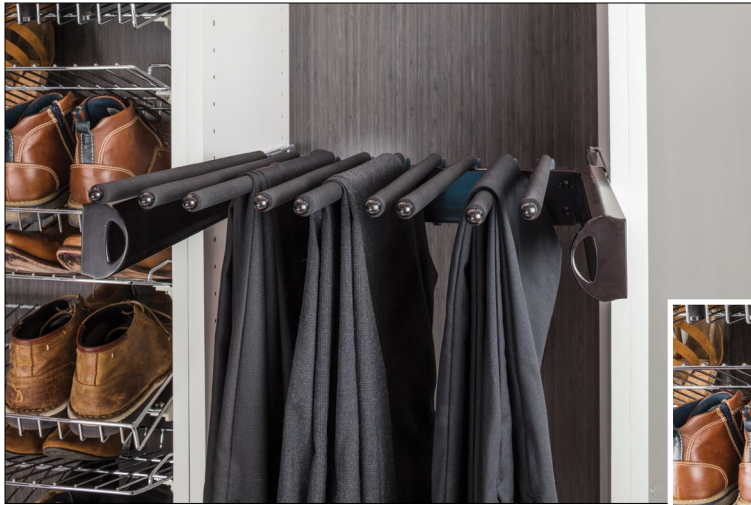
For 24" wide closets

Plastic Hamper Pullout

Dimensions	19-3/16" W x 13-3/4" D x 22-11/16" H
Chrome Frame + White Hamper	HP-BM1424WPC
Replacement hamper	PH-63W
Door Mounting Kit (Chrome)	CAN-DOORKITPC
Recommended screw:	#8 flat head

1 pc/box

Pullout Pant Rack



Scan to watch the installation video
<http://delivr.com/2T73J>



- Features patent-pending 32 mm Quick-brac™ bracket for easy installation
- Features 100 lb ball bearing slides
- Designed for 14" deep closets
- Available in three widths: 18", 24" and 30" and three finishes: Dark Bronze, Satin Nickel and Polished Chrome
- Width has 3/4" adjustment
- Euro screws provided for 32 mm installation



	18" Pant Rack	24" Pant Rack	30" Pant Rack
Dimensions	Adj. 17-3/8"–18-1/8" W 14" D x 3-1/16" H 9 arms	Adj. 23-3/4"–24-1/2" W 14" D x 3-1/16" H 13 arms	Adj. 29-3/4"–30-1/2" W 14" D x 3-1/16" H 16 arms
Dark Bronze	PPR-1814-ORB	PPR-2414-ORB	PPR-3014-ORB
Polished Chrome	PPR-1814-PC	PPR-2414-PC	PPR-3014-PC
Satin Nickel	PPR-1814-SN	PPR-2414-SN	PPR-3014-SN
	1 pc/box	1 pc/box	1 pc/box

14" Belt & Tie Racks



Features patent-pending 32 mm Quick-brac™ bracket for easy installation

Belt rack has 6 double hooks (12 hooks) to hold an array of belt sizes

Tie rack has 18 hooks, perfect for organizing multiple ties or scarves

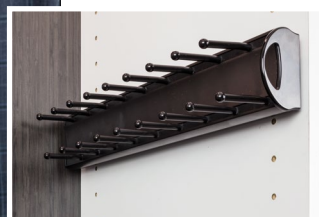
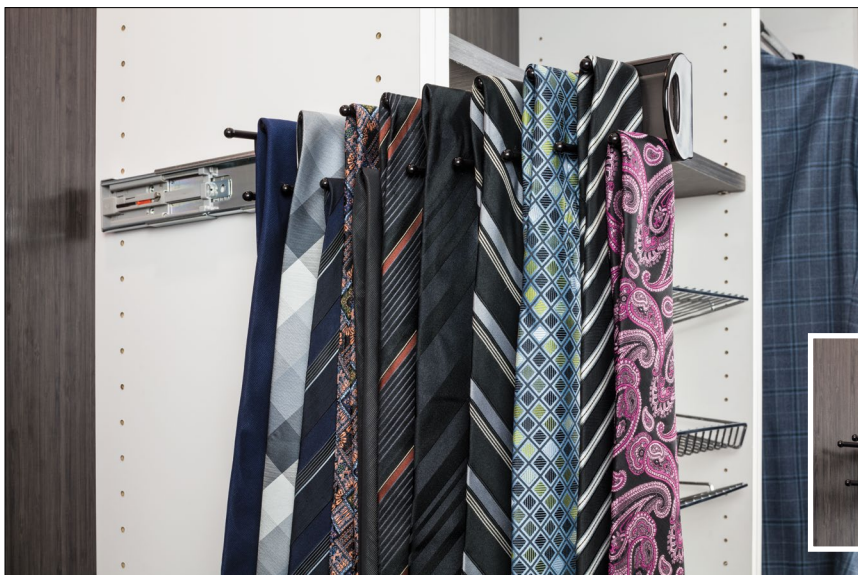
Features 100 lb push-to-open ball bearing slides

Easily mounts left or right handed

Designed for 14" deep closets

Available in three finishes: Dark Bronze, Satin Nickel and Polished Chrome

Euro screws provided for 32 mm installation



Mounts left or right handed



	14" Belt Rack	14" Tie Rack
Dimensions	13-1/2" W x 1-15/16" D x 2-9/16" H 6 double hooks (12 hooks)	13-1/2" W x 2-7/8" D x 2-9/16" H 18 hooks
Dark Bronze	355B-ORB	355T-ORB
Polished Chrome	355B-PC	355T-PC
Satin Nickel	355B-SN	355T-SN
	1 pc/box	1 pc/box

Tri-Level Tie Organizer



Mounts left or right handed



- Holds up to 12 ties or scarves
- Lip on end of each arm prevents items from sliding off
- Arms can be configured for left or right-hand use
- Compact design has small footprint when installed
- Hidden mounting hardware
- Mounts with 2 screws (included)

Tri-Level Tie Organizer

Dimensions 6-3/4" W x 2" D x 4" H

Brushed Oil Rubbed Bronze 356T-DBAC

Polished Chrome 356T-PC

Satin Nickel 356T-SN

4 pcs/box

Cascading Tie Organizer



Great for ties, scarves and belts

12 free-swinging hooks

Lip on end of each hook prevents items from sliding off

Non-handed unit can be mounted for left or right-hand use

Vertical design has small footprint when installed

Quick and easy mounting with 2 screws

US patent # D727,632S

Cascading Tie Organizer

Dimensions 1-1/2" W x 2-7/8" D x 10-1/4" H

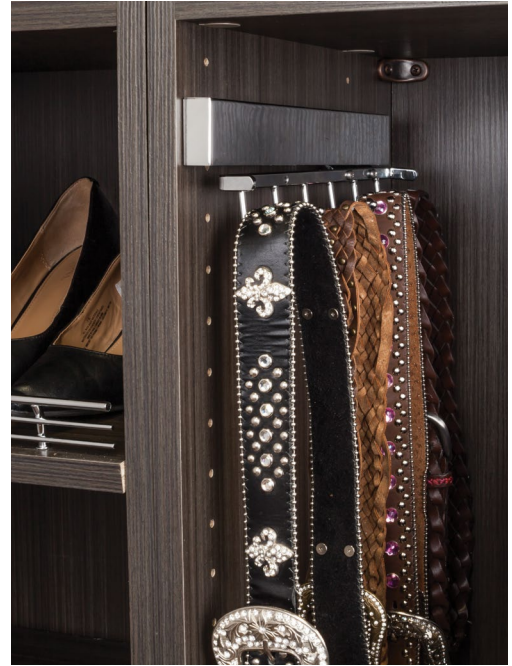
Brushed Oil Rubbed Bronze 357T-DBAC

Polished Chrome 357T-PC

Satin Nickel 357T-SN

4 pcs/box

12" Belt & Tie Racks, Valet Rod



295B-PC in closed position

- Smooth heavy duty ball bearing slide
- Reversible for left- or right-handed mount
- Belt rack has 6 hooks, and tie rack has 6 double hooks
- Each rack is polybagged with attachment screws and UPC labeled

Mounts left or right handed



Sliding Belt Rack



Sliding Tie Rack



Sliding Wardrobe/Valet Rod

Dimensions

295mm (11-5/8") Overall Length
6 Belt Hooks, 50mm Spacing

295mm (11-5/8") Overall Length
6 Sets of Pegs to Hold 12 Ties

295mm (11-5/8") Overall Length
Built-in Stopper on Ends

Brushed Oil Rubbed Bronze

295B-DBAC

295T-DBAC

295W-DBAC

Polished Chrome

295B-PC

295T-PC

295W-PC

1 pc/box
20 sets/ctn

1 pc/box
20 sets/ctn

1 pc/box
20 sets/ctn

Screw-Mount Racks

Mounts easily with the included wood screws in tight spaces where you may not have the room for a sliding accessory rack

Simple way to organize ties, belts, scarves or necklaces

Each rack is polybagged with attachment screws and UPC labeled

Belt rack has 6 hooks, and tie rack has 6 double hooks

Each hook has a slip resistant clear vinyl cover

Multiple applications including pantries, utility rooms, closets or anywhere that needs an optimized storage solution for hanging items



Screw-Mount Belt Rack



Screw-Mount Tie Rack

Dimensions

11" W x 1-3/4" D x 1-3/4" H
6 Belt Hooks, 50mm Spacing

11" W x 2-1/4" D x 2" H
6 Sets of Pegs to Hold 12 Ties

Brushed Oil Rubbed
Bronze

296B-DBAC

296T-DBAC

Polished Chrome

296B-PC

296T-PC

1 pc/polybag
40 sets/ctn

1 pc/polybag
40 sets/ctn

Telescoping Valet Rods



For clothes hangers and hanging garment bags
30 lb weight capacity

Material: Anodized Aluminum

Installation hardware and instructions included

14" Telescoping Valet Rod

Dimensions 1-1/16" W x 13-11/13" D x 1-13/16" H

Polished Chrome

355V-PC

1 set/box
12 sets/ctn



355V-PC
Polished Chrome

Telescoping valet rods are the perfect accessory for any closet. They allow you to easily organize your clothes for the next day. Fully extended, they add an additional 10" of hanging space. With a 30 lb weight capacity they can easily hold business suits or garment bags. Individually boxed with attachment hardware and installation instructions.

Jewelry Trays



This felt lined jewelry drawer is a perfect way to complete your closet. The jewelry organizer comes in two different configurations: a 5 compartment deep organizer and a 10 compartment shallow organizer with ring insert. Both jewelry drawers are available in black or grey. The jewelry drawer is designed as a complete drawer solution with our 100 lb soft-close slides preinstalled. Works great behind a set of doors or you can mount a drawer front for a more finished look.

- MDF construction, felt lined
- Drawer front can be mounted to front of tray
- Ships fully assembled and ready to install
- 100 lb soft-close slides

	<i>5 Compartment Jewelry Organizer</i>	<i>10 Compartment Jewelry Organizer</i>
Dimensions	23-7/8" W x 14" D x 4" H	23-7/8" W x 14" D x 2" H
Black	JD1-24-BL	JD1-24R-BL
Grey	JD1-24-GR	JD1-24R-GR
Recommended screw:	#8 truss head or 7 mm Euro screw	#8 truss head or 7 mm Euro screw
	1/box 4/ctn	1/box 4/ctn

Wardrobe Lift



Bumper prevents over-extension of arm

Side-mount wardrobe lift with 45 lb weight capacity
 Heavy duty steel construction with plastic housing and handle
 Three sizes available and width adjustable to fit a wide range of openings
 Handle is adjustable for different desired heights
 Instructions, mounting hardware and bumper stops included (some assembly required)

For 21" – 24" openings

For 25-1/2" – 35" openings

For 33" – 48" openings

Chrome with Black Handle & Housing

1521

1523

1532

Black

–

1523-BLK

1532-BLK

1 set/box
6 sets/ctn

1 set/box
6 sets/ctn

1 set/box
6 sets/ctn

Wardrobe Lift with Soft-close



Integrated soft-close ensures smooth operation up and down

Side-mount wardrobe lift with 45 lb weight capacity

Heavy duty steel construction with plastic housing and handle

Two sizes available and width adjustable to fit a wide range of openings

Handle is adjustable for different desired heights

Features mounting brackets to make installation easier and provide a clean finished look

Instructions and mounting hardware included (some assembly required)

Soft-close bumper for smooth operation

Hidden mounting screws



For 25-1/2" – 35" openings

For 33" – 48" openings

	<i>For 25-1/2" – 35" openings</i>	<i>For 33" – 48" openings</i>
Chrome with Silver Handle & Housing	1523SC-PC	1532SC-PC
Black	1523SC-BLK	1532SC-BLK
	1 set/box 4 sets/ctn	1 set/box 4 sets/ctn

Laundry Valet



276LV-PC in down position

Our heavy duty laundry valet offers convenient and stylish hanging storage for your garments. The valet features an adjustable design that locks into four different angled positions and folds down when not in use. Its six slotted hole design can hold multiple hangers at a time, and wire neck hangers can easily be moved around. This versatile hanger is great for hanging garments to air dry in a laundry room, to hold coats in a closet or mudroom, or to create additional hanging space in the closet.

Heavy duty steel construction in 3 popular finishes
Includes wood screws for secure mounting onto a drywall stud or solid wood surface

35 lb weight capacity

Six 1" diameter slotted holes provide convenient hanging storage for multiple hangers

Four locking positions



Laundry Valet

Dimensions 3" W x 10-15/16" D x 3" H

Brushed Oil Rubbed Bronze 276LV-DBAC

Polished Chrome 276LV-PC

Satin Nickel 276LV-SN

4 pcs/box
32 pcs/ctn



YD50-518
shown in use

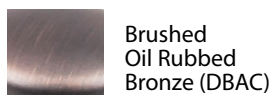
Decorative Hooks

All Hardware Resources hooks are:

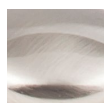
- **Made to Last** – They are manufactured out of zinc die-cast and are weight tested to hold up to 35 lbs.
- **Same Beautiful Finishes** – Available in the same popular finishes as our Jeffrey Alexander and Elements decorative cabinet hardware for a cohesive look throughout the house.
- **Lifetime Warranty** – Hardware Resources believes in quality, integrity and reliability by offering a lifetime warranty on all of our hooks (see page 192).



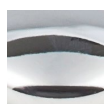
YD60-550



Brushed Oil Rubbed Bronze (DBAC)



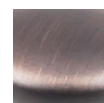
Satin Nickel (SN)



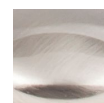
Polished Chrome (PC)



YD55-587



Brushed Oil Rubbed Bronze (DBAC)



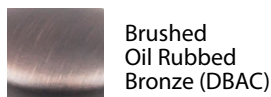
Satin Nickel (SN)



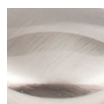
Polished Chrome (PC)



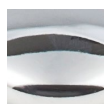
YD45-431



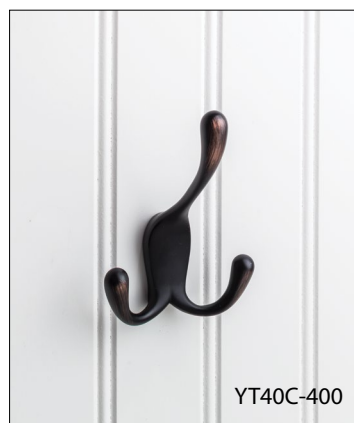
Brushed Oil Rubbed Bronze (DBAC)



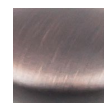
Satin Nickel (SN)



Polished Chrome (PC)



YT40C-400



Brushed Oil Rubbed Bronze (DBAC)



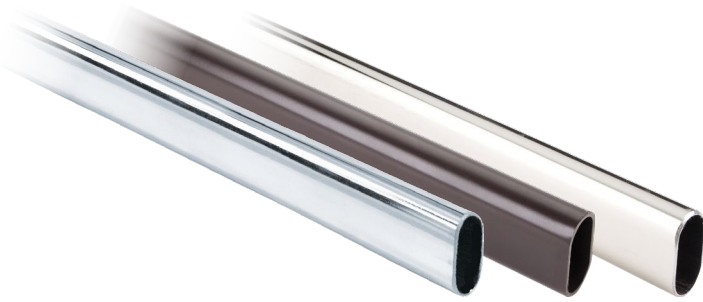
Satin Nickel (SN)



Polished Chrome (PC)

See our full offering of decorative hooks starting on page 181.

Oval Closet Rods



8' Oval Rod

12' Oval Rod

Dimensions	19/32" x 1-3/16" x 8' CH & SN 1.0 mm Thick ORB 1.3 mm Thick	19/32" x 1-3/16" x 12' CH 1.0 mm Thickness ORB 1.3 mm Thickness
Chrome STEEL	15302CH-2	153012CH-2
Dark Bronze ALUMINUM	15302ORB-2	153012ORB-2
Satin Nickel STEEL	15302SN-2	
	10 pcs/ctn*	10 pcs/ctn*

*NO BROKEN CARTONS. FULL CARTONS ONLY

Available in 8' and 12' lengths

Chrome and Satin Nickel are made from 1.0 mm thick steel

Dark Bronze is made from 1.3 mm anodized aluminum

Variety of mounting brackets available including center support bracket



Shelf & Rod Support Bracket



Dimensions	1" W x 11-3/4" D x 10-3/4" H
Chrome STEEL	1530CH
Dark Bronze STEEL	1530ORB
Satin Nickel STEEL	1530SN
	2 pc/box 20 pcs/ctn

Heavy duty 1" wide steel design

Supports up to 150 lbs per bracket

Designed for use with Hardware Resources 15 mm x 30 mm Oval Closet Rods. 8' and 12' rods available in Chrome (steel), Dark Bronze (aluminum) and Satin Nickel (steel)

10-3/4" overall height x 11-3/4" overall depth (11" interior bracket depth) x 1" wide

Screws included: 2 pcs #8 x 2" pan head for wall installation and #8 x 5/8" pan head to secure shelf

Oval Closet Rods

Support Brackets



Knock-in Mounting Bracket



Screw-in Mounting Bracket

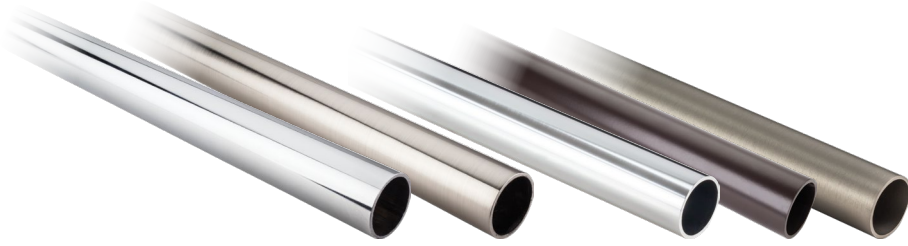


Center Support Bracket

Dimensions	5 mm Diameter Posts 32 mm Center to Center 1 Hole for Extra Screw	22 mm Center to Center Holes	28 mm Center to Center Holes 3" Overall Height
Chrome	M7160	M7175	M7190
Dark Bronze	M7160-ORB	M7175-ORB	M7190-ORB
Satin Nickel	M7160-SN	M7175-SN	M7190-SN
Recommended screw:	#6 flat head (optional)	#6 flat head	#6 flat head
	100 pcs/box 1000 pcs/ctn	100 pcs/box 1000 pcs/ctn	50 pcs/box 500 pcs/ctn

Round Closet Rods

Rods - 1-5/16" Diameter



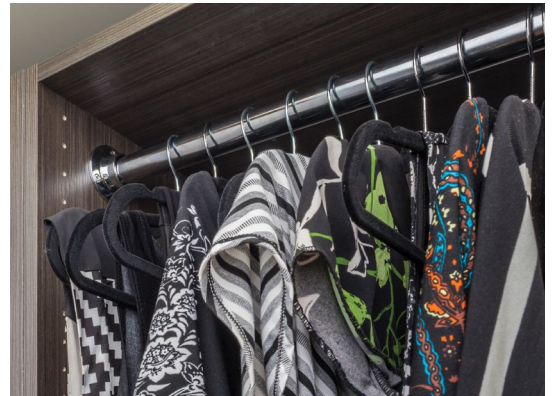
Available in our most popular finishes:
 Chrome, Dark Bronze and Satin Nickel
 2.0 mm wall thickness
 Variety of mounting brackets available
 including center support bracket

	8' Round Rod - Steel	8' Round Rod - Aluminum
Dimensions	1-5/16" Diameter x 8' 2.0 mm Wall Thickness	1-5/16" Diameter x 8' 2.0 mm Wall Thickness
Chrome	151696CH-2	151696CH-A
Dark Bronze		151696ORB-2
Satin Nickel	151696SN-2	151696SN-A

6 pcs/ctn*

6 pcs/ctn*

**NO BROKEN CARTONS. FULL CARTONS ONLY*



Shelf & Rod Support Bracket



Dimensions	1" W x 12-1/2" D x 10-7/8" H
Chrome STEEL	1516CH
Dark Bronze STEEL	1516ORB
Satin Nickel STEEL	1516SN
White STEEL	1516WH

Heavy duty 1" wide steel design
 Supports up to 150 lbs per bracket

Designed for use with Hardware Resources 1-5/16" Diameter Round Closet Rods. 8' rods available in Chrome (steel), Dark Bronze (aluminum) and Satin Nickel (steel)

10-7/8" overall height x 12-1/2" overall depth (10-3/4" interior bracket depth) x 1" wide

Screws included: 2 pcs #8 x 2" pan head for wall installation and #8 x 5/8" pan head to secure shelf



2 pc/box
 20 pcs/ctn

Round Closet Rods

Support Brackets



Open Knock-in Mounting Bracket

Closed Knock-in Mounting Bracket

Open Screw-in Mounting Bracket

Closed Screw-in Mounting Bracket

Center Support Bracket

Dimensions	5 mm Diameter Posts 32 mm Center to Center 1 Hole for Extra Screw		2-11/16" Overall Width 3 Holes for Screws		2" Center to Center Holes 3" Overall Height
Chrome	M7340-CH	M7345-CH	M7350-CH	M7360-CH	M7370-CH
Dark Bronze	M7340-ORB	M7345-ORB	M7350-ORB	M7360-ORB	M7370-ORB
Satin Nickel	M7340-SN	M7345-SN	M7350-SN	M7360-SN	M7370-SN
Recommended screw	#6 flat head (optional)	#6 flat head (optional)	screws included	screws included	#6 flat head
	50 pcs/box 200 pcs/ctn	50 pcs/box 200 pcs/ctn	20 pcs/box 200 pcs/ctn	50 pcs/box 200 pcs/ctn	50 pcs/box 200 pcs/ctn

Round Closet Rods

Rods - 1-1/16" Diameter



Woodwork Institute Approved
 Available in 8' and 12' lengths
 2.0 mm wall thickness
 Heavy duty steel
 Variety of mounting brackets available including center support bracket



	8' Round Rod	12' Round Rod
Dimensions	1-1/16" Dia. x 8' 2.0 mm Wall Thickness	1-1/16" Dia. x 12' 2.0 mm Wall Thickness
Chrome STEEL	111696CH-2	111612CH
	6 pcs/ctn*	6 pcs/ctn*

**NO BROKEN CARTONS. FULL CARTONS ONLY*

Support Brackets



Open Knock-in Mounting Bracket



Open Screw-in Mounting Bracket



Closed Screw-in Mounting Bracket



Center Support Bracket

Dimensions	5 mm Diameter Posts 32 mm Center to Center 1 Hole for Extra Screw	2-11/16" Overall Length 2" Center to Center Holes	28 mm Center to Center Holes 3" Overall Height
Chrome	M7240	M7250	M7260
Recommended screw:	#6 flat head (optional)	screws included	screws included
	250 pcs/ctn	250 pcs/ctn	250 pcs/ctn
			50 pcs/box 200 pcs/ctn

Round Closet Rods

Rods - 1" Diameter



Anodized aluminum
 1.2 mm wall thickness
 Variety of mounting brackets available including center bracket

8' Round Rod

Dimensions	1" Diameter x 8' 1.2 mm Wall Thickness
Dark Bronze ALUMINUM	100096ORB-2

6 pcs/ctn*

*NO BROKEN CARTONS. FULL CARTONS ONLY

Support Brackets



Open Knock-in Mounting Bracket



Open Screw-in Mounting Bracket



Closed Screw-in Mounting Bracket



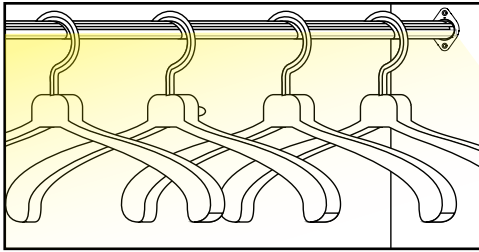
Center Support Bracket

Dimensions	5 mm Diameter Posts 32 mm Center to Center 1 Hole for Extra Screw	2-11/16" Overall Length 2" Center to Center Holes	2" Center to Center Holes 3" Overall Height
Dark Bronze	M7240-ORB	M7250-ORB	M7260-ORB
Recommended screw:	#6 flat head (optional)	screws included	screws included
	250 pcs/ctn	250 pcs/ctn	50 pcs/box 200 pcs/ctn

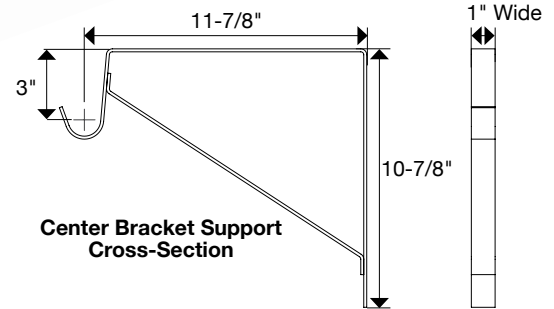
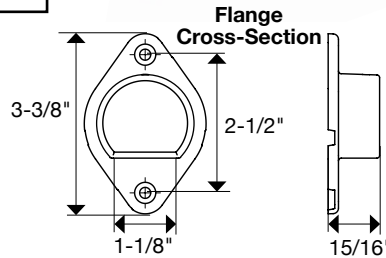
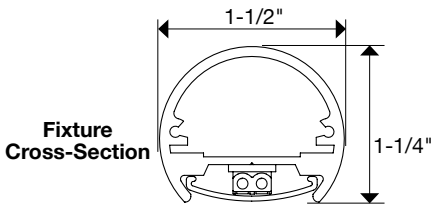
Lighted Closet Rod

see our full collection of LED lighting on pages 512-513





18 in. Satin Nickel fixture shown
LC9R18-4NDSN30



High Light Output – 1/4 watt LEDs

Part Number	Dimensions	Total Watts	Kelvin Temperature	Lumens <small>Based on 3000K (approx. per fixture)</small>
LC9R18-4NDFinishTemp	18" x 1-1/2" x 1-1/4"	4	2700K (27), 3000K (30), 4000K (40), 5000K (50)	621
LC9R24-6NDFinishTemp	24" x 1-1/2" x 1-1/4"	6	2700K (27), 3000K (30), 4000K (40), 5000K (50)	828
LC9R30-8NDFinishTemp	30" x 1-1/2" x 1-1/4"	8	2700K (27), 3000K (30), 4000K (40), 5000K (50)	1035
LC9R36-10NDFinishTemp	36" x 1-1/2" x 1-1/4"	10	2700K (27), 3000K (30), 4000K (40), 5000K (50)	1242
LC9R42-12NDFinishTemp	42" x 1-1/2" x 1-1/4"	12	2700K (27), 3000K (30), 4000K (40), 5000K (50)	1449
LC9R48-14NDFinishTemp	48" x 1-1/2" x 1-1/4"	14	2700K (27), 3000K (30), 4000K (40), 5000K (50)	1656
LC9R54-16NDFinishTemp	54" x 1-1/2" x 1-1/4"	16	2700K (27), 3000K (30), 4000K (40), 5000K (50)	1863
LC9R60-18NDFinishTemp	60" x 1-1/2" x 1-1/4"	18	2700K (27), 3000K (30), 4000K (40), 5000K (50)	2070
LC9R66-20NDFinishTemp	66" x 1-1/2" x 1-1/4"	20	2700K (27), 3000K (30), 4000K (40), 5000K (50)	2277
LC9R72-22NDFinishTemp	72" x 1-1/2" x 1-1/4"	22	2700K (27), 3000K (30), 4000K (40), 5000K (50)	2484
LC9R78-24NDFinishTemp	78" x 1-1/2" x 1-1/4"	24	2700K (27), 3000K (30), 4000K (40), 5000K (50)	2691
LC9R84-26NDFinishTemp	84" x 1-1/2" x 1-1/4"	26	2700K (27), 3000K (30), 4000K (40), 5000K (50)	2898
LC9R90-28NDFinishTemp	90" x 1-1/2" x 1-1/4"	28	2700K (27), 3000K (30), 4000K (40), 5000K (50)	3105
LC9R96-30NDFinishTemp	96" x 1-1/2" x 1-1/4"	30	2700K (27), 3000K (30), 4000K (40), 5000K (50)	3312

Flange set included with each closet rod

Blue indicates customer choice. Finish indicates fixture finish and Temp indicates Kelvin Temperature.

Applications

- Closet Lighting
- Laundry Room Lighting

Features

- Kelvin temperature options: Warm White (2700K), Soft White (3000K), Cool White (4000K), Daylight White (5000K)
- High light output – 414 lumens per foot at 3000K
- 4 watts per foot (1/4 watt LEDs)
- 90 CRI (Color Rendering Index)
- Each end field trimmable up to 3"
- Fully assembled round-shaped rod fixture with frosted, light-diffusing lens
- 50,000 hour LED life at 70% lumen maintenance
- 12V DC plug-in or hardwired power supply (ordered separately)
- No Ultraviolet (UV) or Infrared (IR)
- Flange set included with each Lighted Closet Rod
- Accessories sold separately: Center Bracket Support and WireWay

Finish Options



Black (BK)



Bronze (BZ)



Satin Nickel (SN)



White (WT)

Accessories

- LC9R-CBS-Finish** Center Bracket Support (Use every 48")
Available in Black (BK), Bronze (BZ), Satin Nickel (SN), and White (WT)
- SG9-WW-48Color** 48" field-cutttable WireWay
Available in Black (BK), Gray (GRY), and White (WT)

Installation Components

See page 514

LED Specifications

LED Beam Angle	120°
LED Engine	6" or 12"

Power Supplies

NOTE: All sempriaLED products require a 12V DC power supply.
See page 546

Compatible Dimming Systems

See page 515

Dovetail Drawer Boxes for Closets



Ordering specifications:

- Standard Drawer, Rollout, or High-Back Rollout Boxes
- Assembled or Unassembled
- Standard Heights with Custom Depth & Width
- 1/4" Standard or 1/2" Bottom
- Optional Universal Notch for Undermount Slides
- Optional Undermount Slide Clip factory installed

Easy Online Ordering & Instant Price Quoting

See website for details

Production and delivery:

- Competitive pricing
- Standard 7 Day Turnaround after order confirmation
- Quick-to-Ship production on qualifying states

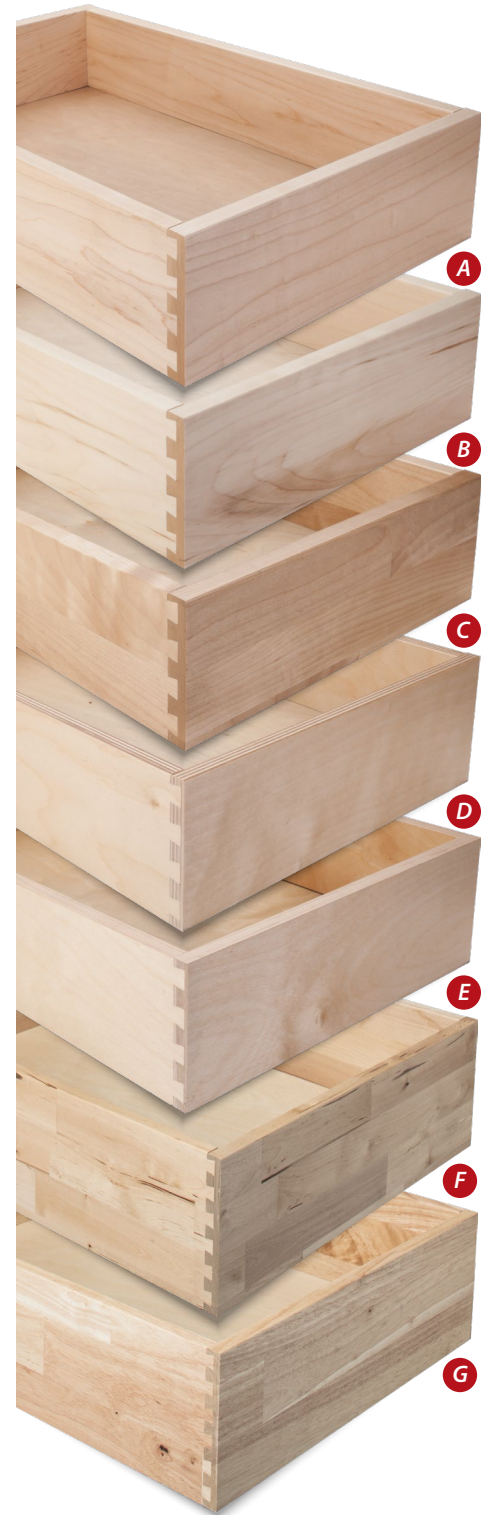
- A** 5/8" Hard Maple UV Coated or Unfinished
- B** 5/8" Aspen UV Coated
- C** 5/8" White Birch, Imported, Fingerjointed. UV Coated
- D** 1/2" Birch Plywood UV Coated or Unfinished
- E** 1/2" Birch Plywood Edgebanded UV Coated
- F** 5/8" Rustic White Birch, Imported, Fingerjointed .. UV Coated
- G** 5/8" Rubberwood, Imported, Fingerjointed UV Coated

HEIGHT OPTIONS	2"	2.5"	3"	3.5"	4"	5"	6"	7"	8"	9"	9.5"	10"	11"	12"
1/2" Birch Plywood	x	x	x	x	x	x	x	x	x	x	x	x	x	
1/2" Edgebanded Plywood		x	x		x	x	x	x	x	x		x	x	
5/8" Hardwoods	x	x	x	x	x	x	x	x	x	x	x	x	x	x
High-Back (all species)							x	x	x	x	x	x	x	x

*All high-back drawers will have a 3" front and a scoop cutout on the front face. 6" minimum height.

SIZING	Min Depth	Max Depth	Min Width (without clips)	Min Width (with 4 & 6-way clips)	Min Width (with 2-way clips)	Max Width	Min Height
Standard Drawer							
5/8" Material	7"	51"	6"	7-1/4"	6-1/4"	51"	2"
1/2" Material	7"	51"	6"	7"	6"	51"	2"
Rollout Drawer							
5/8" Material	7"	51"	6"	7-1/4"	6-1/4"	51"	2"
1/2" Material	7"	51"	6"	7"	6"	51"	2"
High-Back Rollout							
5/8" Material	12"	51"	5-1/2"	7-1/4"	6-1/4"	51"	6"
1/2" Material	12"	51"	5-1/2"	7"	6"	51"	6"

Drawer boxes are manufactured in the USA by Hardware Resources. Hard Maple and Aspen are North American hardwoods. White Birch, Rustic White Birch, and Rubberwood are imported A/B grade hardwood, laminated and jointed. Birch plywood is Carb Compliant 9-ply high density plywood with no internal voids. UV cured coating is 100% solid and contains no VOC. Each UV coated piece is double coated to ensure a lasting finish.

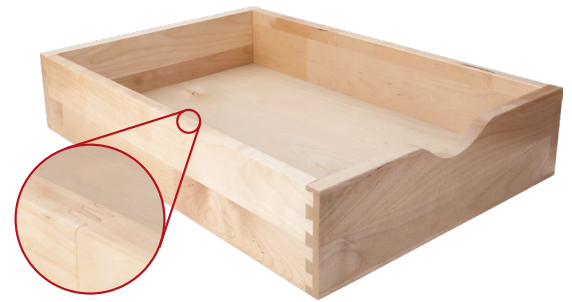




Dovetail Drawer Boxes for Closets

Closet Organizers

Rollouts & High-Back Rollouts



Fingerjoints may be visible on top edge of box for White Birch



High-Back Rollout (minimum 6" height)

Complimentary High Definition Laser Engraving on Hardwood Boxes

- Upcharge per box for plywood
- Simply provide a high-resolution file of your logo. We'll do the rest!
- Accepted file types are EPS, AI, PDF, PSD, JPEG, TIFF
- Maximum logo size is 1-1/2" tall x 6" long
- Minimum box height for engraving is 3", minimum depth is 8"
- Not available on high-back rollouts or boxes over 24" deep
- Placed on the front left inside edge of the box
- One logo per customer - logos are kept on file for future orders
- *Don't have a logo? Choose from our preselected fonts to customize your company name*



Knobs & Pulls for Closets

See full collection starting on page 12

Naples



Item	Description	Overall Length or Diameter	Inner Box	Master Carton	Finishes
40	T knob	40 mm / 1-9/16"	30	300	PC, SN
136	3" CC	136 mm / 5-3/8"	10	50	PC, SN
156	96 mm CC	156 mm / 6-1/8"	10	50	PC, SN
176	128 mm CC	176 mm / 6-15/16"	10	50	PC, SN
206	128 mm CC	206 mm / 8-1/8"	10	50	PC, SN
220	160 mm CC	220 mm / 8-11/16"	10	50	PC, SN
272	192 mm CC	272 mm / 10-11/16"	10	50	PC, SN
304	224 mm CC	304 mm / 12"	10	50	PC, SN
336	256 mm CC	336 mm / 13-1/4"	10	40	PC, SN
368	288 mm CC	368 mm / 14-1/2"	10	40	PC, SN
399	319 mm CC	399 mm / 15-11/16"	10	40	PC, SN
496	416 mm CC	496 mm / 19-1/2"	10	20	PC, SN
560	480 mm CC	560 mm / 22"	10	20	PC, SN
624	544 mm CC	624 mm / 24-9/16"	10	20	PC, SN
720	640 mm CC	720 mm / 28-3/8"	10	20	PC, SN
763	673 mm CC	763 mm / 30"	10	20	PC, SN

Sutton



Item	Description	Overall Length or Diameter	Inner Box	Master Carton	Finishes
635-32	32 mm (1-1/4") CC	2-1/4"	30	300	BNBDL, DBAC, PC, NI, SN
635-96	96 mm (3-3/4") CC	4-3/4"	25	250	BNBDL, DBAC, PC, NI, SN
635-128	128 mm (5") CC	5-7/8"	20	200	BNBDL, DBAC, PC, NI, SN
635-160	160 mm (6-1/4") CC	7-1/2"	10	100	BNBDL, DBAC, PC, NI, SN
635-256	256 mm (10-1/16") CC	11-7/16"	20	100	BNBDL, DBAC, PC, NI, SN

Hadly



Item	Description	Overall Length or Diameter	Inner Box	Master Carton	Finishes
449 NEW	knob	1"	25	250	BNBDL, DBAC, PC, SN
449-3 NEW	3" CC	4"	15	150	BNBDL, DBAC, PC, SN
449-96 NEW	96 mm (3-3/4") CC	4-3/4"	15	150	BNBDL, DBAC, PC, SN

Alvar



Item	Description	Overall Length or Diameter	Inner Box	Master Carton	Finishes
264-3	3" CC	3-11/16"	20	200	BNBDL, DBAC, NI, PC, SN
264-96	96 mm (3-3/4") CC	4-7/16"	20	200	BNBDL, DBAC, NI, PC, SN
264-128	128 mm (5") CC	5-3/4"	20	200	BNBDL, DBAC, NI, PC, SN
264-160	160 mm (6-1/4") CC	7"	10	100	BNBDL, DBAC, NI, PC, SN
264-192	192 mm (7-9/16") CC	8-1/4"	10	100	BNBDL, DBAC, NI, PC, SN

Knobs & Pulls for Closets

See full collection starting on page 12

Tiffany



Item	Description	Overall Length or Diameter	Inner Box	Master Carton	Finishes
658	knob	1-1/4"	20	200	BNBDL, DBAC, NI, PC, SN
658-96	96 mm (3-3/4") CC	4-1/2"	20	200	BNBDL, DBAC, NI, PC, SN
658-128	128 mm (5") CC	5-13/16"	15	150	BNBDL, DBAC, NI, PC, SN
658-160	160 mm (6-1/4") CC	7-1/16"	10	100	BNBDL, DBAC, NI, PC, SN
658-192	192 mm (7-9/16") CC	8-3/8"	15	75	BNBDL, DBAC, NI, PC, SN
658-224	224 mm (8-13/16") CC	9-7/8"	15	75	BNBDL, DBAC, NI, PC, SN
658-12	12" CC appliance pull	13"	5	20	BNBDL, DBAC, NI, PC, SN

Belcastel 1



Item	Description	Overall Length or Diameter	Inner Box	Master Carton	Finishes
MO6303	knob	1-3/8"	20	200	ABM-D, BNBDL, DACM, DBAC, DMAC, NI, PC, SN, SIM-D
MO6373	96 mm (3-3/4") CC	4-5/8"	15	150	ABM-D, BNBDL, DACM, DBAC, DMAC, NI, PC, SN, SIM-D
MO6373-128	128 mm (5") CC	5-7/8"	20	200	ABM-D, BNBDL, DACM, DBAC, DMAC, NI, PC, SN, SIM-D
MO6373-160	160 mm (6-1/4") CC	7-1/8"	10	100	ABM-D, BNBDL, DACM, DBAC, DMAC, NI, PC, SN, SIM-D
MO6373-12	12" CC appliance pull	13-1/4"	5	20	ABM-D, BNBDL, DACM, DBAC, DMAC, NI, PC, SN, SIM-D
MO6373-18	18" CC appliance pull	19-1/4"	5	20	ABM-D, BNBDL, DACM, DBAC, DMAC, NI, PC, SN, SIM-D

Harlow



G110BNBDL



G120DBAC



G130PB



G140SN



G150BNBDL

Item	Description	Overall Length or Diameter	Inner Box	Master Carton	Base Finishes
G110	small egg	1-1/4"	10	50	BNBDL, DBAC, PC, SN
G110L	large egg	1-5/8"	10	50	BNBDL, DBAC, PC, SN
G120	small button	1-7/16"	10	50	BNBDL, DBAC, PC, SN
G120L	large button	1-3/4"	10	50	BNBDL, DBAC, PC, SN
G130	small sphere	1-1/16"	10	50	BNBDL, DBAC, PC, SN
G130L	large sphere	1-3/8"	10	50	BNBDL, DBAC, PC, SN
G140	small square	1"	10	50	BNBDL, DBAC, PC, SN
G140L	large square	1-3/8"	10	50	BNBDL, DBAC, PC, SN
G150	small faceted	1"	10	50	BNBDL, DBAC, PC, SN
G150L	large faceted	1-1/4"	10	50	BNBDL, DBAC, PC, SN

Heavy Duty Shelf Utility Bracket

Extra heavy duty 1-1/4" wide steel design – supports up to 1200 lbs per pair

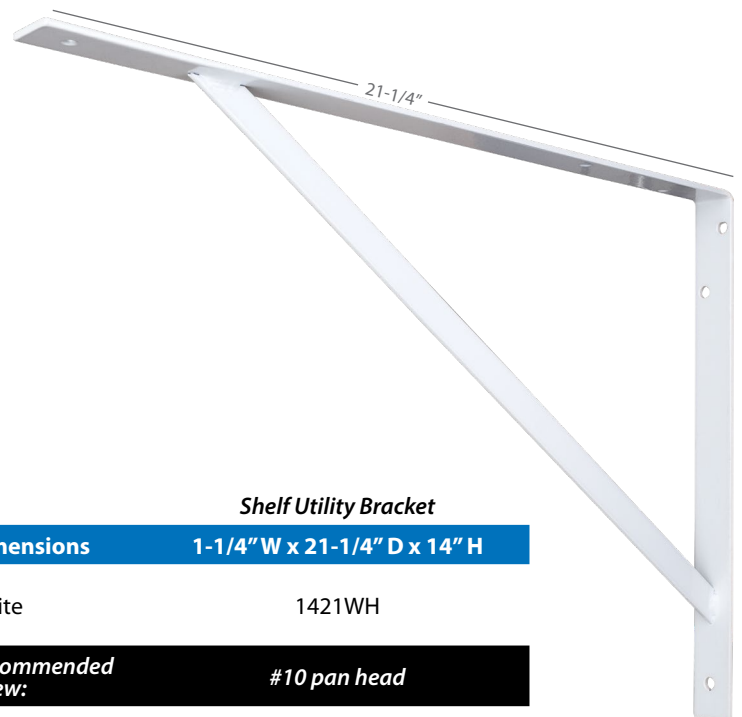
Thick white painted finish is durable and rust resistant

Supports shelving in a variety of residential and commercial environments: closets, garages, utility rooms, tool sheds and laundry rooms

Also a perfect support for countertops

14" overall height x 21-1/4" overall depth

#10 x 3" pan head screws recommended for wall installation (sold separately)



Shelf Utility Bracket

Dimensions 1-1/4" W x 21-1/4" D x 14" H

White 1421WH

Recommended screw: #10 pan head

2 pcs/box
10 pcs/ctn

*NO BROKEN CARTONS. FULL CARTONS ONLY

Shelf Supports: Angled

5 mm Pin Diameter

Solid steel construction

3/4" long arm

Available in carton of 1000 pcs



	<i>Standard</i>	<i>With 1/8" Hole</i>	<i>With Brown Sleeve</i>	<i>With Almond Sleeve</i>	<i>With White Sleeve</i>	<i>With Clear Sleeve</i>	<i>With Diamond Hole</i>
Antique Brass	1706AB	1707AB	1708AB				
Antique Copper		1707AC	1708AC				1710AC
Black		1707BLK					
Bright Nickel	1706BN	1707BN	1708BN		1708WBN	1708CBN	1710BN
Polished Brass	1706PB	1707PB		1708APB			1710PB
	1000 pcs/ctn*	1000 pcs/ctn*	1000 pcs/ctn*	1000 pcs/ctn*	1000 pcs/ctn*	1000 pcs/ctn*	1000 pcs/ctn*

**NO BROKEN CARTONS. FULL CARTONS ONLY*

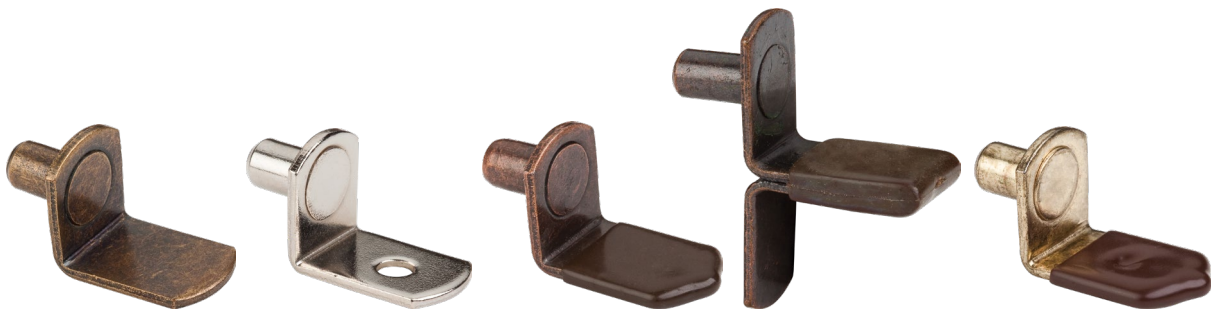


1/4" Pin Diameter

Solid steel construction

3/4" long arm

Available in carton of 1000 pcs



	<i>Standard</i>	<i>With 1/8" Hole</i>	<i>With Brown Sleeve</i>	<i>With Brown Sleeve & 7/8" Long Arm</i>	<i>With Brown Sleeve & 1/8" Hole</i>
Antique Brass	1609AB	1610AB			
Antique Copper		1610AC	1611AC	1915AC	
Bright Nickel	1609BN	1610BN			
Polished Brass		1610PB	1611PB		1611PB-H
	1000 pcs/ctn*	1000 pcs/ctn*	1000 pcs/ctn*	1000 pcs/ctn*	1000 pcs/ctn*

**NO BROKEN CARTONS. FULL CARTONS ONLY*

Shelf Supports: Spoon

Closet
Organizers

3 mm Pin Diameter



Spoon

Bright Nickel	1103BN
	1000 pcs/box*
	10,000 pcs/ctn

*NO BROKEN BOXES. FULL BOXES ONLY

Solid steel construction

Available in boxes of 1000 pcs and 10,000 pcs master carton

5 mm Pin Diameter



Spoon



*Spoon with
Anti-Slide Barb*



*Grommet
5.5mm drill Ø*

Antique Brass	1306AB		1283AB
Antique Copper	1306AC		
Black	1306BLK		1283BLK
Bright Nickel	1306BN	1306BN-2	1283BN
Polished Brass	1306PB		1283PB

1000 pcs/box*
6000 pcs/ctn

1000 pcs/box*
6000 pcs/ctn

1000 pcs/box*
5000 pcs/ctn

*NO BROKEN BOXES. FULL BOXES ONLY

Solid steel construction

Anti-slide barb cuts into shelf and prevents shelf movement (1306BN-2)

Supports available in boxes of 1000 pcs and 6000 pcs master carton

Grommets available in boxes of 1000 pcs and 5000 pcs master carton



1/4" Pin Diameter



Spoon



*Grommet
7.5mm drill Ø*

Antique Brass	1206AB	1284AB
Antique Copper	1206AC	1284AC
Black	1206BLK	1284BLK
Bright Nickel	1206BN	1284BN
Polished Brass	1206PB	1284PB

1000 pcs/box*
6000 pcs/ctn

1000 pcs/box*
5000 pcs/ctn

*NO BROKEN BOXES. FULL BOXES ONLY

Solid steel construction

Supports available in boxes of 1000 pcs and 6000 pcs master carton

Grommets available in boxes of 1000 pcs and 5000 pcs master carton



Plastic Sleeve

Brown	101BRN
	20,000ps/ctn

Durable synthetic rubber

Can be used on any plated finish

Shelf Supports: Pins & Locks

5mm Pins



	16 mm Duplo	24 mm Straight	30 mm Straight	45 mm Straight
Antique Copper	1401AC			
Bright Nickel		1402BN	418BN	1400BN
Zinc	1401ZN	1402ZN		
	1000 pcs/ctn*	1000 pcs/ctn*	1000 pcs/ctn*	1000 pcs/ctn*

**NO BROKEN CARTONS. FULL CARTONS ONLY*

Solid steel construction
Available in carton of 1000 pcs

Plastic Shelf Locks



Highly durable synthetic plastic construction
Available in a variety of pin diameters and shelf thickness combinations

	5 mm Pin 1/2" Shelf	5 mm Pin 5/8" Shelf	5 mm Pin 3/4" Shelf	1/4" Pin 5/8" Shelf	1/4" Pin 3/4" Shelf
Clear	7703CL	7704CL	7705CL	8704CL	8705CL
White	7705WH				
	1750 pcs/box* 3500 pcs/ctn	2000 pcs/box* 4000 pcs/ctn	2500 pcs/box* 5000 pcs/ctn	1750 pcs/box* 3500 pcs/ctn	1750 pcs/box* 3500 pcs/ctn

**NO BROKEN BOXES. FULL BOXES ONLY*

Heavy Duty Plastic Shelf Lock



	5 mm Double Pin 3/4" or 1" Shelf
Clear	7706CL
	2000 pcs/ctn*

**NO BROKEN CARTONS. FULL CARTONS ONLY*

500 lb weight rating per set of 4
Highly durable synthetic plastic construction
Fits 3/4" or 1" shelf thickness
Two pins are 32 mm spaced
ANSI/BHMA A156.9-2003 Grade 1

Shelf Supports: Miscellaneous

Zinc Supports - 5mm Pin



Support with 5 mm Shelf Hold Pin

Zinc	1545ZN
	1000 pcs/box*
	5000 pcs/ctn

**NO BROKEN BOXES. FULL BOXES ONLY*



Solid zinc die cast construction
Available in boxes of 1000 pcs and 5000 pcs master carton

Plastic Supports - 5mm Pin



Support

Almond	1438ALM
	1000 pcs/box*
Brown	1438BRN
	1000 pcs/box*
Clear	1438CL
	100 pcs/box*
White	1438WH
	1000 pcs/box*
	5000 pcs/ctn

**NO BROKEN BOXES. FULL BOXES ONLY*

Synthetic injection molded plastic with steel pin

Available in boxes of 1000 pcs and 5000 pcs master carton

Standards & Clips

Single track standards fit in 5/8" wide groove
Standards quickly install using nails or screws (not included)
Available in a variety of sizes which can also be cut to length
Clips snap into place in 3/8" increments for a secure fit and can be easily removed and reattached.



	Standard Clip Bulk Pack	Standard Clip Builder Pack	Standard Clip Retail Pack	48" Standard	60" Standard	72" Standard	96" Standard
Brass		1460BR	1460BR-R				
Brown		1460AC	1460AC-R	TRK01-48BRN	TRK01-60BRN	TRK01-72BRN	TRK01-96BRN
Nickel/ Zinc	460NI	1460NI	1460ZN-R	TRK01-48ZN	TRK01-60ZN	TRK01-72ZN	TRK01-96ZN
White		1460WH	1460WH-R	TRK01-48WH	TRK01-60WH	TRK01-72WH	TRK01-96WH
	2500 pcs/ctn*	1000 pcs/ctn*	20 pcs/pack 100 pks/ctn	20 pcs/ctn*	20 pcs/ctn*	20 pcs/ctn*	20 pcs/ctn*

**NO BROKEN CARTONS. FULL CARTONS ONLY*

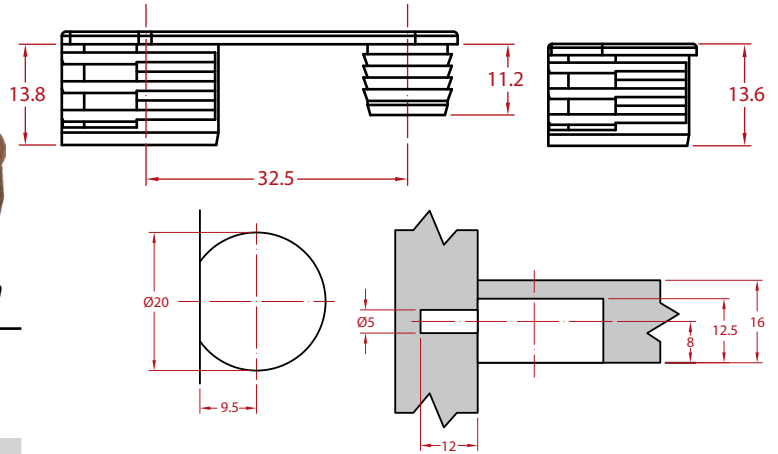
Panel Connectors

All measurements shown in mm



Double Connector Cam **Connector Cam**

	Brown Plastic	9C19-BRN 250 pcs/ctn	8C19-BRN 250 pcs/ctn
	White Plastic	9C19-WH 250 pcs/ctn	8C19-WH 250 pcs/ctn
	Zinc with Nickel Plating	9C19-ZN 250 pcs/ctn	8C19-ZN 250 pcs/ctn

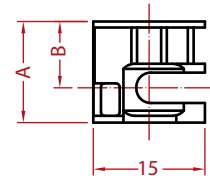


Plastic or zinc housing
Zinc tightening element
For use with 19 mm thickness material
14mm drilling depth



Metal Cam

Zinc die cast
Center locking position 9 mm
Drilling depth: 14.0-0.05 mm



16 mm material	7C16 250 pcs/ctn
19 mm material	7C19 250 pcs/ctn

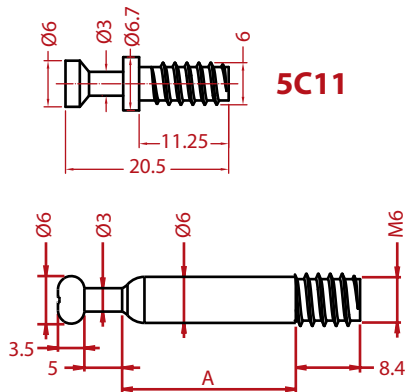
	A	B
7C16	12.2 mm	7.5 mm
7C19	13.6 mm	9 mm



Connecting Bolt

11 mm length	5C11 250 pcs/ctn*
36 mm length	5C36 250 pcs/ctn*
40 mm length	5C40 250 pcs/ctn*

*NO BROKEN BOXES.
FULL BOXES ONLY

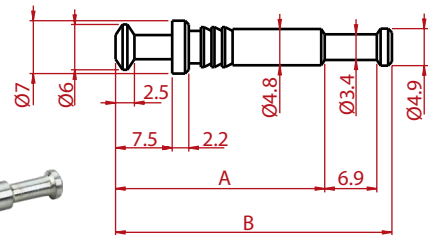


	A
5C36	19 mm
5C40	23 mm



Center Panel Double Bolt

16 mm material	6C16 250 pcs/ctn
19 mm material	6C19 250 pcs/ctn



	A	B
6C16	24.7 mm	33.6 mm
6C19	27.7 mm	36.6 mm