



Tribeca

C A B I N E T R Y

2021

SPECIFICATIONS 2021

Contents

About Us	04
Merchandising & Product Plan	05
Order Process	15
Delivery Policies & Procedures	20
Tribeca Warranty	26
Product Specifications	29
Wall Cabinets Specifications.....	32
Base Cabinets Specifications.....	33
Cabinet Care & Cleaning Guide.....	34
Assembly Option	35
Modifications.....	36
Wall Cabinets.....	38
Base Cabinets.....	51
Tall Cabinets.....	56
Vanity Sink Base Cabinets.....	57
Fillers, Panels & Posts.....	59
Molding & Corbels.....	63
Accessories.....	67
Sales Samples.....	68

About Us

Thank you for choosing Tribeca Cabinetry!

The kitchen is the heart of the home and it is our belief that kitchens should offer unsurpassed quality while still being an excellent value. We build framed cabinetry in an array of styles, materials and finishes to create environments that are unique and built to match your lifestyle. Our cabinetry features superior construction specifications, an elevated furniture grade finish and modern design flourishes all at an unbeatable price-point and lead time.

We truly appreciate your continued support and offer our deepest gratitude for the opportunity to serve you!

Contact Information:

Customer Service:	732-902-6020 sales@tribecacabinetry.com	Order Inquiries, Revisions, Production Inquiries, General Questions
Dealer Development:	732-902-6020 shipping@tribecacabinetry.com	Delivery Inquiries, Scheduling
New Orders & Warranty	732-902-6020 sales@tribecabinetry.com	Submit Orders, Warranty Claims
Accounting:	732-902-6020 accounting@tribecacabinetry.com	Invoices, Payments
Design:	732-902-6020 design@tribecacabinetry.com	Design Support
Marketing:	732-902-6020 marketing@tribecacabinetry.com	Marketing Support

Hours of Operation:

Office: 8:00AM-5:00PM
Warehouse: 7:30AM-4:00PM



Merchandising & Product Plan

Merchandising Guide

Below you will find an exciting array of merchandising materials to aid you in the sales and design process. The sample packages have already been discounted and will be available to all active dealers at the below net pricing.

Quick Start Package \$250

Our quick start package is a new offering that includes everything you need to get started selling the Tribeca line of products. The package includes all of our sample doors, a specification book, a packet of brochures and a mini-base to showcase our cabinet features and construction.

Showroom Display

There is no better way to showcase Tribeca Cabinetry than designing and installing a display for your showroom. Please inquire with your sales representative for pricing, applicable discounts and style options.

Product Guide

To find the price group for your door and color combination, please use the chart below

Door Style	Color	Color Code	G1	G2
Hudson	Snow White	SNW	√	-
	Hearthstone	HS	-	√
Soho	Snow White	SNW	√	-
	Empire Blue	EB	-	√



Merchandising Order Form

Contact Info			<input type="checkbox"/> Delivery <input type="checkbox"/> Job Site Delivery <input type="checkbox"/> Pick-Up PO # _____		
Account Name: _____		Account #: _____	Date: _____		
Contact: _____		Email: _____	Phone: _____		
Ship To					
Name: _____		Street: _____			
City: _____	State: _____	Zip Code: _____	Phone: _____	Requested Ship Date: _____	
<input type="checkbox"/> QSP (Quick Start Package \$250)		<input type="checkbox"/> Brochure: \$5		<input type="checkbox"/> CSD (\$30)	
<input type="checkbox"/> SD (Sample Door \$20)		<input type="checkbox"/> MB (Mini Base: \$150)			
Display Order Form					
Line	Code	Qty.	Line	Code	Qty.
1			11		
2			12		
3			13		
4			14		
5			15		
6			16		
7			17		
8			18		
9			19		
10			20		
Special Instructions: 					
Signature _____		Date _____			

Credit Card Authorization Form

Authorization to Charge Credit Card

I _____, owner of the below listed credit card, authorize Tribeca Cabinetry Inc. to charge said credit card for the full amount due on this account, including all late charges. I hereby acknowledge and agree the purpose for providing the credit card is to secure business debt and unpaid charges that were business purpose charges. I promise not to cancel, reverse or revoke the credit card without supplying Tribeca Cabinetry Inc. with new information if the credit card is lost, stolen, canceled or renewed.

Signature

Business Name

Card Holders Name

Credit Card Number

Expiration Date

CVV

Credit Card Billing Address

Credit Card Billing Zip Code

Dealer Agreement

Authorization to Charge Credit Card

THIS AGREEMENT, to become effective the ___ day of ___ 20__ (hereafter called “ Agreement”) between Tribeca Cabinetry Inc, with its principal place of business at 100 Newfield Ave, Edison, New Jersey, 08837 (hereafter called “ Company”) and _____ (Dealer Name) (Indicate if Individual, Partnership or Corporation) with its principal place of business for the sale of Company products covered by this Agreement located at: _____ (hereafter called “Dealer”).

I. PURPOSE

This Agreement is to establish Dealer as a Dealer of Company with the non-exclusive right to sell the Company’s Products, including parts and accessories (hereafter called “Products”) in the trade area served by Dealer and to establish the responsibilities of the parties.

II. TERMS OF SALE

Prices and terms for Products shall be those in effect on the date the Company accepts the Dealer order. Company will have the right to change the product offering, terms and prices at any time.

III. CREDIT

The Company does not offer open account credit terms. Accepted payments methods for products and services are: credit card, wire transfer or cashier’s check.

IV. WARRANTY

Company Products are sold subject only to the applicable Company standard printed warranty in effect at the time of sale and such warranty shall be in lieu of all other warranties express or implied. Dealer is not authorized to assume, on Company’s behalf, any liabilities in connection with Dealer’s sale of Product other than as set forth in such Company standard warranty. Dealer shall indemnify and hold Company harmless with respect to any Dealer representation beyond those in such Company warranty. COMPANY MAKES NO WARRANTY OF MERCHANTABILITY OR FITNESS FOR A PARTICULAR PURPOSE.

V. DELIVERY

Company shall not be responsible for failure to deliver products on time or to fill orders when such delay or failure results from causes beyond Company's control.

VI. RESPONSIBILITY OF DEALER Dealer shall:

- (A) Achieve a market share, satisfactory to Company for the products in the primary area of responsibility (hereafter called "PAR") served by Dealer.
- (B) Aggressively promote the sale of Products, through, but not limited to, advertising, open houses, shows, field demonstrations and other appropriate methods using Company approved advertising and/or sales promotion material and by participation in sales and marketing programs offered by the Company.
- (C) Extend to Dealer's customers Company's applicable standard printed Product warranty which is in effect at the time of sale. Dealer understands that no other warranty is expressed or implied.
- (D) Properly staff and train sales, service and design personnel with respect to Products and specifications and not disparage or encourage others to disparage the Company.
- (E) Obtain written consent of Company if Dealer intends to open any additional business location for the sale or service of Products or for the purpose of displaying Products at any location other than the business location described above.
- (F) Carefully store and care for all Products for which Dealer is indebted to Company under this Agreement and protect same from damage or loss from any cause. Dealer shall maintain appropriate insurance, in an adequate amount to cover potential damage or loss, that may not be canceled without 10 days prior written notification to Company by the insurer.
- (G) Cooperate with Company's Annual Performance Review, and other such programs or matters pertaining to the administration of this contract.

VII. TERM

The term of this Agreement shall be for a period of one year, commencing on the effective date herein. This Agreement shall be automatically renewed for successive terms of one year each unless either party shall give the other notice of non-renewal not less than 60 days prior to the end of the then current term or unless this Agreement is otherwise terminated as provided herein.

VIII. TERMINATION

Unless otherwise provided by applicable state law, either party may terminate this Agreement without cause and for any reason by giving 7 days written notice to the other party. Nothing contained herein shall prevent Company from immediately terminating this Agreement in the event of bankruptcy or insolvency of Dealer, or Dealer's failure to pay any amounts owed Company when due, or Dealer's failure to maintain satisfactory insurance with respect to Products. Upon termination for any reason, all amounts owed Company will become immediately due and payable.

IX. PERSONAL GUARANTY

The undersigned corporate officer, by affixing his signature below, hereby agrees to personally guarantee to the Company the unconditional and direct payment of any and all obligations of the Dealer to the Company and hereby agrees to bind himself to pay to the Company, upon demand, any sum which may become due as a result of nonpayment or default by the Dealer, whether or not the Company has exhausted its remedies against the Dealer. It is understood that this guarantee shall be an unconditional guaranty for such indebtedness of the Dealer and the undersigned waives notice of the acceptance of this Guaranty. In the event that legal action is commenced to enforce or recover the indebtedness under this Personal Guaranty, the undersigned agrees to pay all costs and expenses, including reasonable attorney's fees, with respect to such action.

X. TRADEMARKS/TRADE NAMES

Dealer is hereby licensed to use Company's name and trademarks in the normal course of distributing Company's Products and performing related services under this Agreement. Dealer agrees not to use Company's name as part of Dealer's name or in any manner which would misrepresent the relationship between Dealer and Company. Dealer may represent itself as an "authorized dealer" of Company, and, with prior approval of Company, may use Company's name and Product related trademarks on signs or other advertising or promotional material. Dealer's license to use Company's name and trademarks is limited and Dealer shall abide by restrictions and limitations imposed by Company from time to time. Upon termination of this Agreement, Dealer shall immediately cease representing itself as a dealer of Company and shall cease use of all Company names and trademarks and any signs or other material, of whatever nature, identifying Dealer as a dealer of Company shall be removed or obliterated.

XI. GENERAL

- (A) Dealer is not an agent of Company nor is Dealer authorized to incur any obligations or make any representations on behalf of Company.
- (B) This Agreement is binding on the parties, their heirs, executors, administrators, and successors.
- (C) Dealer may not assign this Agreement or any provisions thereof to another dealer or party without the written approval of Company.
- (D) If any provision of this Agreement shall be held unenforceable, then the remainder of this Agreement shall not be affected thereby.
- (E) No waiver by Company of any default under this Agreement by Dealer shall be deemed a waiver of any prior or subsequent default by Dealer hereunder.
- (F) All understandings and agreements between the parties are contained in this Agreement which supersedes and terminates all other agreements between the parties. The rights of either party pertaining to Products sold by Company to Dealer under previous arrangements will be governed by this Agreement, provided, however, that nothing contained in this Agreement will, in any way, alter or change the rights and obligations of the parties pursuant to any security agreements or other agreements presently in existence.
- (G) Company reserves the right to modify and/or update this Agreement consistent with the modification and/or updating of all agreements Company has with other similar dealers, and replace or substitute such modified or updated agreement for this Agreement and such replacement or substitution shall not constitute termination of his Agreement. Failure of Dealer to execute such replacement or substitution agreement within 30 days of it being offered shall constitute automatic termination of this Agreement by Dealer.
- (H) Dealer agrees that application of any provision of this Agreement or related documents, or any other change implemented by Company, if equally applied to all other similar Company dealers, shall not constitute a change in the competitive circumstances of Dealer.
- (I) The Company reserves the right to deal directly with National accounts.
- (J) This Agreement will be governed by the laws of the State of Pennsylvania.

Dealer Name _____

Company Address _____

Telephone _____

Email Address _____

By _____

Signature _____ (print name)

Title _____

Date _____

Tribeca Cabinetry Inc

By _____

Signature _____ (print name)

Title _____

Date _____

Dealer Product & Warranty Awareness Form

I have carefully read and understand the entire warranty as provided by Tribeca Cabinetry Inc. and have been provided the opportunity to ask questions of, and receive answers from Tribeca Cabinetry Inc. concerning the terms and conditions set forth in the warranty, including, but not limited to the extent of the coverage therein.

I hereby accept full responsibility to (a) to truthfully and accurately represent Tribeca Cabinetry Inc. and (b) to make sure that anyone selling Tribeca cabinets under my dealership will properly explain the terms and conditions to the consumer.

I understand that Tribeca Cabinetry Inc. is not liable for any claims made by any consumer that are not covered under the warranty and that I will be solely responsible for any and all losses and expenses arising from such claims. I agree to indemnify, defend and hold Tribeca Cabinetry Inc. harmless from and against such losses and expenses, including, but not limited to, reasonable attorney's fees and expenses.

Printed Name

Signature

Company Name

Company Address

Witness Printed Name

Witness Signature

Date

Order Process

If you are a new account, the following must be on file before any orders can be processed:

- Signed Credit Card Authorization
- Signed Dealer Agreement
- Current Sales Tax Exemption Certificate
- Signed Dealer Product & Awareness Form

Please use the following process for submitting new orders by email or fax:

- To submit a new order, please either fill out the Tribeca Order Form, submit a 20/20 PDF Quote (the quote should show our codes, descriptions, whether the order is assembled or KD and the applicable door and color) or send us your .kit file from 20/20 design.
- Please indicate whether you would like this order delivered or scheduled for pickup. If you would like the order delivered, please provide the delivery address and any special job-site conditions we should be aware of.
- To send orders by fax, please send orders to (570. 593. 8066).
- To send orders by email, please send to Sales@tribecacabinetry.com.
- Please note: we do not accept orders over the phone.
- Tribeca Cabinetry will only accept orders from accounts in good standing: please reach out to our accounting department for details about your payment terms and current account status.

Please use the following process for submitting new orders through our E-Order online portal:

- Visit our website, navigate to the dealer portal and login into your account with the credentials provided by our customer care team.
- Select New Quote at the top of the web page.
- Enter in the relevant billing and delivery information and select next.
- Select your door style and color and select next.
- Create your order by adding the applicable SKU's through the drop down menu. Please note

that you can also select modifications for certain SKU's when applicable. When the list is complete, select next.

- Select your preferred pick up or delivery time frame and then select next.
- If you would like to process the order, select submit to complete the process. At this time, your order will be dropped to production and you will have the option to pay to receive a discount on the order. All orders that are successfully submitted through our online portal cannot be canceled per our terms and conditions.

Dealers Responsibility to Check & Confirm Orders:

- If you send our customer care team an order by email or fax as per the process above, you will receive an order acknowledgment within 1-2 business days.
- Please take time to thoroughly check your confirmation to ensure that the color, door style, codes, shipment information, projected ship week and pricing are all accurate.
- Should your order require revisions, please email or fax them to our customer service team who will subsequently send back a revised confirmation for final approval. Please be aware that any delays during the order process may affect the projected ship week.
- To finalize and immediately place your order into production, please sign the bottom of the order confirmation and send it back to our customer service department. By signing the order, you take full responsibility for any and all errors on the order form.
- If you are placing an order through our online E-Order system, please carefully check the cabinet list within your quote before submitting your order. Orders submitted through the online portal will be dropped to production immediately and cannot be changed.
- Due to the custom nature of our cabinetry, we do not accept cancellations or modifications once an order has been finalized.
- One week prior to projected ship week found on the finalized order confirmation, our shipping department will contact you to schedule delivery.

If you have any questions or need help placing an order, please contact our Customer Service Team.

Customer Service Information:

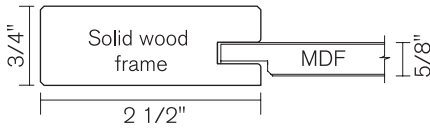
Ph: 732-902-6020 | E-mail: sales@tribecacabinetry.com

Contact Info			<input type="checkbox"/> Commercial or Showroom Delivery			<input type="checkbox"/> Job Site Delivery			<input type="checkbox"/> Pick-Up			PO # _____			
Account Name: _____				Account #: _____				Date: _____							
Contact: _____				Email: _____				Phone: _____							
Ship To															
Name: _____						Street: _____									
City: _____			State: _____			Zip Code: _____			Phone: _____			Requested Ship Date: _____			
Door Style: Hudson (HD)				Finish: <input type="checkbox"/> Snow White (SNW) <input type="checkbox"/> Hearthstone (HS)				Door Style: Soho (SD)				Finish: <input type="checkbox"/> Snow White (SNW) <input type="checkbox"/> Empire Blue (EB)			
Line	Code	Qty.	Modification	Hinge L/R	Price	Line	Code	Qty.	Modification	Hinge L/R	Price				
1						21									
2						22									
3						23									
4						24									
5						25									
6						26									
7						27									
8						28									
9						29									
10						30									
11						31									
12						32									
13						33									
14						34									
15						35									
16						36									
17						37									
18						38									
19						39									
20						40									
										TTL List - Cabinets					
										Multiplier					
										Total Cost					
<p>General Instructions: Orders confirmed by 12:00PM will be available for pick up at our Edison location 3 business days later (IE: orders confirmed by 12:00PM Monday will be available for pick up Wednesday.) Pick-up Hours: Monday-Friday between 8:00AM-12:00AM and 1:00PM-3:30PM. Orders are non-cancellable. All orders must be paid by authorized dealer's credit card at time of order. By signing below you are authorizing Tribeca to charge your credit card. You will be notified if order(s) are not available for pick up as planned. Inspect all packages before signing your pick up ticket. By signing your pick up ticket, you are indicating that the products you received meet specifications and no damage claims or returns will be accepted.</p>															
Signature _____				Date _____				Requested Delivery or Pick Up Date _____							

Pick-Up Address: 100 Newfield Ave, Suite B, Edison, NJ 08837

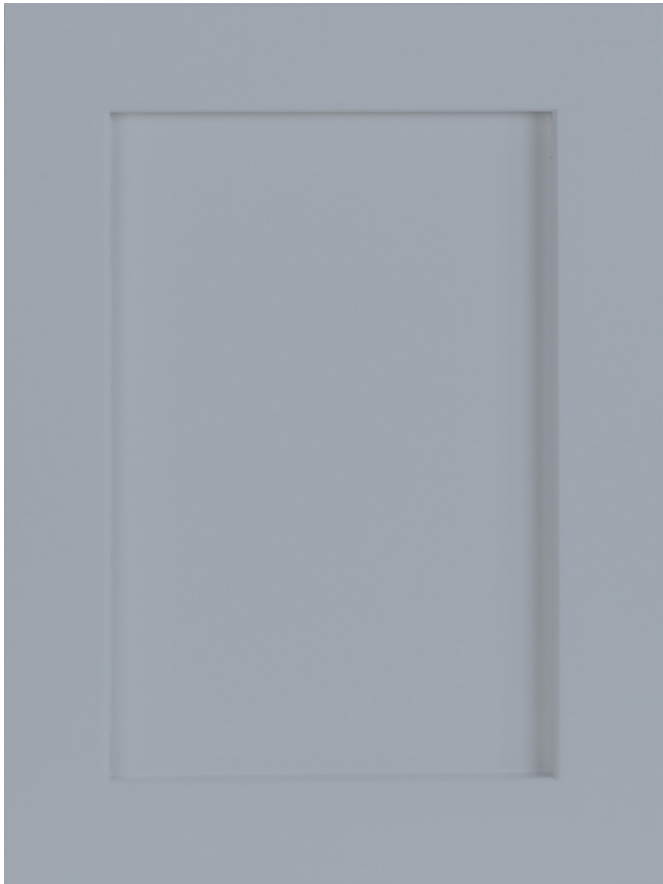
Hudson Door Style

Door Profile



The Hudson door is polished, contemporary and sensible. Featuring classic shaker styling, the door comes in a variety of finishes that offer enduring appeal.

- Solid wood door frame with mortise and tenon assembly. MDF center panel.
- Doors less than 7-1/2" wide will have style changes affecting the stile width and center panel.



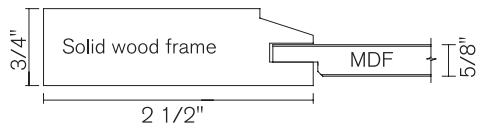
Hearthstone (HS)



Snow White (SNW)

Soho Door Style

Door Profile



Our Soho door is a modern take on classic shaker styling. The distinct bevel inside the door frame adds elegance and interest. Due to its clean lines and enduring appeal, it can be utilized in traditional or contemporary settings.

- Solid wood door frame with mortise and tenon assembly. MDF center panel.
- Doors less than 7-1/2" wide will have style changes affecting the stile width and center panel.



Snow White (SNW)



Empire Blue (EB)



Delivery Policies & Procedures

Tribeca Pickup Information


We strive to set ourselves apart from the competition by **offering seamless and immediate pickups**. Please carefully read our pickup guidelines below to ensure you have an excellent experience when coming to our facility and make sure to let our customer service know the requested date and time that you would like to arrive. **Don't forget we offer same day pickups for parts and KD orders if the order is paid for and confirmed by 11:00AM that business day and 2-3 day pick-ups for assembled orders.**


Pick-up Hours: Monday-Friday between 8:00AM-12:00AM and 1:00PM-3:30PM

Appointments: When submitting an order, whether by email, our order form, a PDF report from 20/20 or through our E-Order system (coming soon), please **specify that the order requested is a pick-up and include the requested date and time.** The

100 Newfield Ave, Suite B, Edison, NJ 08837

 www.tribecacabinetry.com

 732-902-6020

 732-902-6020

 sales@tribecacabinetry.com

date and time will be confirmed by our customer service team through a confirmation email after your order is signed-off. If we need to change the date and time of the pick-up after confirmation, we will let you know before the day of arrival and give you a new date and time.

Payment: All pick-up orders **must be paid before the pick-up date unless you are paying COD. If paying COD**, please let our customer service know at the time of order. We will not release any products without a signed order confirmation and payment.

Pickups: Our goal is to ensure a smooth and expeditious pick-up experience so make sure to **arrive on the date and time that was confirmed by our customer service team with your order number and paperwork**. From time to time we reserve the right to ask you for identification when picking up. If you miss the date or time assigned, you may not be able to pick-up your products until a new appointment is made. If orders are not picked up or have to be stored for additional time, you may be charged for storage or restocking fees. Please refer to our delivery and pick-up policies in the specifications book for more information.

Loading: Although you are expected to load your products by yourself, **to provide superior service we will assign a dedicated team member to aid you in moving cabinets and loading when possible**. The team member will check off each cabinet as it is loaded and give you a delivery note which you must sign before leaving the premises. Tribeca is not responsible for pick-ups that are not able to be completed due to inability to load your vehicle or for any damage to your vehicle that occurs while loading or stationed in our premises. Once an order is scanned out of the warehouse on the day of pick-up, we will not accept any claims for missing items or cabinets.

Covid Rules: Masks are required on the premises at all times and you must distance at least 6 feet from our team members per CDC guidelines. Anyone without a mask or who does not follow these guidelines will be denied service and Tribeca reserves the right to conduct temperature screens.

Walk-ins: We do not accept walk-ins or add-on orders and reserve the right to refuse service. If you request same day service, you must submit, confirm and pay for your order by 11:00AM

Exceptional Lead Times

All Tribeca products feature the following exceptional lead times.

Pickup Orders	RTA products can normally be picked up within 3 business days and assembled products within 5 business days.
Showroom or Job-site Deliveries	Assembled or RTA products that can ship on our company trucks will normally ship within two weeks from the date of order.
LTL Deliveries	LTL products sent by third party carriers normally ship within 2-3 weeks.
UPS Parts	Any products that can be sent by UPS will normally be shipped within 2-3 business days.

Please always refer to the projected ship week provided on your order confirmation as these lead times are approximate.

Delivery & Storage Fees

- We offer seamless and stress-free deliveries on our own trucks to the below zones. When a commercial location such as a showroom or third party shipper is requested, the delivery will be tailgate. For job-site deliveries, we offer white-glove service and will unload the cabinetry and bring it inside the home to the first available location. The maximum job-site fee will be \$500 within zone. Please ensure that all delivery areas are accessible with our equipment and that all cabinets will be deliverable inside such as pantries or range hoods.
- Deliveries outside of the above zones will require a custom quote and will normally be sent LTL: please inquire with customer service for additional details.
- Orders that are not able to ship for two weeks or more beyond the confirmed ship week will incur a storage fee of \$25.00 per day starting on the first day of the third week.
- Parts items may be shipped via common carrier and a damage disclaimer may need to be signed. Additional charges may apply.
- When a delivery can't be made due to dealer fault, the order will be returned and re-scheduled for delivery. In these cases, a second delivery charge will apply. Multiple deliveries for

additional items needed for the same order will incur an automatic charge of \$200.00.

Delivery Zone	Distance From Tribeca 100 Newfield Ave, Edison, NJ 08837	Showroom Delivery (80 cabinets maximum)	Jobsite Delivery	Minimum Jobsite Delivery Fee
Zone 1	0-55 MILES	\$150	\$15 per cabinet	\$150
Zone 2	56-100 MILES	\$200	\$15 per cabinet	\$200
Zone 3	101-150 MILES	\$250	\$15 per cabinet	\$250
Zone 4	151-200 MILES	\$300	\$15 per cabinet	\$300
Zone 5	201-250 MILES	\$350	\$15 per cabinet	\$350

Delivery Process

- One week prior to the Projected Ship Week found on your finalized order confirmation, we will call the phone number on record to schedule your delivery and give you a time frame for the delivery. Please note that if the delivery is being handled by a third party shipper, we will let you know when it is scheduled to arrive at their warehouse so you can make the necessary arrangements for final delivery.
- On the day of delivery, the driver will call one hour before arrival to let you know his estimated time of arrival.
- When the order arrives at your dock or job site, make note of any visible damage on the driver's delivery form.

Concealed Damages & Missing Product

- The policy of Tribeca Cabinetry requires the customer to check the enclosed packing list for accuracy at the time of delivery in addition to any damages that may have occurred. Tribeca Cabinetry will not take the responsibility for any item missing from your order unless we are notified at the time of delivery. Once the order has been delivered and signed for, the order

becomes the responsibility of the customer. We understand that no freight carrier is perfect and that items may get lost or damaged during shipping so it is imperative that you check your order at the time of delivery.

- Please note minor damages to cabinets ends that will not be exposed and that do not affect the structural integrity of the cabinet will not be replaced.
- Immediately report any missing or damaged items to the driver at receipt of the shipment in addition to our customer service team. Claims for damages or missing items must be accompanied by pictures and a fully documented claim form. All claims for replacements or missing items must be made prior to installation of cabinets and decorative hardware. **Tribeca Cabinetry will not accept ANY claims for concealed shipping damages or missing items after delivery.**
- Damages to any items or boxes must be noted on the delivery receipt or bill of lading when you sign to accept the order.

Return/Cancellation Policy

- All products sold must be signed for by the purchaser. In signing this, you as the purchaser take responsibility for payment of the product.
- All of our products are built to order and due to the custom nature of our business we do not accept, under ANY circumstances, returns, changes or cancellations once an order has been signed off on and confirmed by the dealer.
- Tribeca does not inventory pre-built cabinets so please make sure that confirmed orders are complete and accurate.

Replacement Parts Process

- In the event you have damaged items, please use the following process so any issues can be resolved quickly and efficiently. Our process has been designed to provide insight into problems so they can be addressed by either preventative or corrective actions to eliminate the potential for recurrence.

To Process a Damaged Cabinet or Part

- Immediately take pictures of the damaged part and packaging and email them to our customer service department: sales@tribecacabinetry.com. If the damage is visible prior to unloading, take pictures of the damage while it is still in the truck. In addition, please fax or email the replacement form which should include the order number, door style, finish and the applicable items needed for replacement. This information is crucial for reimbursement, processing and for the development of future preventative measures.
- Do not use, destroy or discard the damaged product. In the event that Tribeca Cabinetry or the freight carrier wishes to retrieve the damaged product, you will be contacted within one week from the date that the damage was first reported.
- If we are not supplied with photos or the item is not made readily available for pick-up, you will be charged for the replacement.
- We do not accept any claims for hidden or concealed damages after 7 days from the date of delivery. We also do not accept any claims for hidden or concealed damages once our products have been installed.



Tribeca Warranty

Five (5) Year Limited Warranty

Tribeca warrants to the original purchaser that all Tribeca products purchased will be free from defects in material and workmanship under normal residential use for five years after the date of purchase. This limited warranty is subject to certain limitations and exclusions outlined below. This warranty applies to the original residential cabinet purchaser only and is nontransferable. This limited warranty does not apply to commercial properties, rental properties and any other non-residential properties and is applicable only within the United States and Canada.

Exclusions

As with all natural materials, wood is affected by environmental factors such as natural and artificial lighting, smoke and age. Darkening or mellowing can be expected and is a natural process for wood as it ages. Each wood species also exhibits its own distinctive grain patterns and characteristics which adds to its natural beauty. These variations in color, grain and other naturally occurring characteristics are not considered imperfections or defects. This warranty does not cover natural aging and darkening of the wood color nor does it apply to the inherent growth characteristics of wood.

- **Finish Variation** - All wood varies in color from piece to piece due to natural variation in tone and grain patterns. While Tribeca takes extra steps in selecting each piece of wood to enhance the natural beauty of our products, we cannot guarantee that every component will exactly match other components. The resultant natural variation in finish is not considered a defect and is not covered by our limited warranty.
- **Pitch Pockets and Mineral Streaks** - In certain species of wood, pitch pockets and mineral streaks are prevalent. This is particularly true of the beautiful lumber used in producing some Tribeca products. These naturally occurring features are not considered to be defects and are not covered by our limited warranty.

- **Hairline Cracks** - Environmental factors influence the performance of wood products. All wood absorbs and releases moisture due to its cellular structure. In periods of high humidity, wood will “grow”, and during dry periods, wood will “shrink”. Over a period of time, the absorption and release of moisture may cause visible hairline cracks typically in joinery of wood components. These minor cracks are not considered defects and are not covered by our limited warranty.
- **Warping** - Warping occurs in wood when the absorption and release of moisture creates “stress” in the wood. In many instances, this condition will resolve itself after the cabinetry in your home goes through a heating and cooling cycle. Warping of components is allowed up to one quarter inch (1/4”) and is not considered a defect covered by this limited warranty.
- **Fingerprints** - Fingerprints can occur on wood products, especially darker painted finishes, due to oil and residue left on the human hand. Fingerprints are normal and are sometimes found on products that receive heavy usage or were not installed with hardware on doors, drawers or other accessories. Fingerprints on our finishes and products are expected to occur with normal usage and are not considered a defect covered by this limited warranty.
- **Household Cleaners** - Certain household cleaners and other substances, whether acidic, basic or neutral, may affect the color and integrity of the Product’s finish over time. Any such effects on the color and/or integrity of the finish are not covered by this limited warranty. Please contact your authorized dealer for care and cleaning instructions.

Limitations of Liability

- This warranty applies only to normal indoor consumer use. Product used for commercial or outdoor use is excluded. Not covered under this warranty are cabinets showing normal wear and tear; cabinets that were not stored or installed properly, improperly assembled or disassembled, intentionally damaged, misused, or exposed to elements; cabinets that have defects due to excessive moisture, accidents or negligence; and cabinets that have been changed or modified in any way.
- This warranty is expressly limited to the repair or replacement of the defective component parts at our discretion. Our liability is expressly limited to the cost of material for the repair or replacement of defective goods. We may elect to repair or replace the product with a product

of equal or lesser value and complementary style if the original style is no longer available. Due to the aging process of natural wood, Tribeca Cabinetry can't guarantee an exact match between the finish of the existing product and the replacement product.

- In no event is Tribeca Cabinetry liable for incidental, indirect, or consequential damages resulting from the use of our cabinets. This warranty does not cover the cost of assembly, installation, removal, subsequent damage or transportation of the defective product or replacement.
- When a claim for warpage/joint separation/wood growth is submitted, Tribeca Cabinetry may, at its sole option and after inspection, defer action for 12 months to allow the Product to acclimate to the installed environment.
- Some states do not allow limitations on how long an implied warranty may last or the exclusion and or limitations of incidentals and/or consequential damages. Therefore the above limitations may not apply.
- This warranty shows specific rights that may vary from state to state. Any claims made under this warranty must be presented in writing with a dated sales invoice accompanied by photographs of defective material.
- The remedies put forth above are your sole and exclusive remedies and outline Tribeca's entire liability for any breach of this limited warranty.
- No other implied warranties apply.
- This limited warranty is effective for product manufactured by Tribeca Cabinetry, Inc. on or after January 1, 2020.

Making a Warranty Claim

Please contact the dealer from whom you purchased the product for warranty assistance. If you are unable to contact your authorized dealer, you may contact our customer care team.

Tribeca Cabinetry, Inc.

100 Newfield Ave Suite B, Edison, NJ 08837 | Email: info@tribecacabinetry.com

Product Specifications

Wood Characteristics:

Wood cabinetry is as unique as a fingerprint; no two pieces are the same. Each piece of lumber and each piece of veneer is truly one of a kind. Soil and climatic conditions affect growth characteristics, presence of mineral streaks, gum spots and knots, and creates striking coloring and grain patterns. These naturally occurring variations give wood its distinct character and exceptional beauty.

Tribeca takes great care in selecting the finest quality kiln-dried hardwoods for all Tribeca products. Lumber is dried to a 6-8% moisture content to ensure that your cabinetry remains stable in most environments. However, wood, by its very nature, will expand during humid months and contract during the dry season, so humidity levels in your home should be carefully monitored. A 40-50% humidity level should be maintained during installation and throughout the year to maintain the proper moisture content of your cabinets. Extremes (below 20% or above 80%) are likely to cause problems with the natural wood.

The best quality hardwoods have certain characteristics that can't be hidden by the finishing process. These natural variations occur due to the fact that the wood is a natural product, affected by weather, climate, birds, insects, soil makeup, number of sunshine hours per year and natural growth patterns for each individual tree. These characteristics are part of the natural beauty, charm and appeal of real wood and should be carefully considered.

Effects Of Moisture In Wood

Under normal circumstances, all wood products contain some moisture. Wood is similar to a sponge in that it easily exchanges moisture with the environment. This is true of all wood products, even after they have been finished. Of course, a finish will slow this process, but finished wood still reacts to changes in humidity. When humidity is high, wood will absorb moisture and expand. During times of low humidity, wood will release moisture and contract. Wood will not change size or shape unless its moisture content changes due to humidity. As normal minor variations in humidity occur, the dimensional response of the wood will be imperceptible. To avoid problems, it

is recommended that the relative household humidity is maintained in the 40-50% range. Humidity extremes (above 80% or below 20%) are likely to cause problems. Wood products perform best when used in a controlled environment. Problems associated with warping are usually a result of conditions on site storage, installation or use.

Points to Consider

- The density of the wood can affect how much or how little it reacts to changes in humidity. More dense species like pant grade hardwoods will expand or contract more than species like Cherry.
- Effects of moisture may include panel expansion or contraction, joint separation, bowing of the stile or rail and/or expansion/contraction of the stile or rail.
- Wood products located in humid climates are especially susceptible to expansion due to moisture. Product failures due to high moisture conditions are not covered under the Tribeca Cabinetry warranty. Such locations would include waterfront properties and coastal regions.
- Regardless of location, products installed in non-air conditioned homes are especially susceptible to moisture concerns. Winter and vacation homes should maintain some form of climate control even during the off-season.
- Sometimes doors may swell and bind after installation. Upon activation of the climate control, doors should revert to their original dimension and resume normal operation. For this reason, Tribeca Cabinetry does not recommend trimming or shaving the door edges. Trimmed doors are not covered under the Tribeca Cabinetry warranty. Also, care should be taken to control humidity even during storage and installation.
- Traditional doors with 5-piece construction (stiles, rails and panels) have been engineered to allow some normal expansion and contraction of the panels.
- Tribeca Cabinetry takes great care in selecting properly kiln dried woods to ensure stability in climate controlled homes. With proper attention to humidity levels (normal fluctuations are expected) your Tribeca cabinetry will perform reliably and beautifully. Please note that the Tribeca Cabinetry warranty does not cover product issues related to improper humidity or moisture control.

The Tribeca Finish

The finish you choose for your cabinets will determine the overall atmosphere of your kitchen, and with Tribecas quality colors, wood species and door styles, you are sure to find a combination that is perfect for you. You can choose from light colored painted finishes, mid-tones, or classic dark stained finishes.

Light and mid-tone finishes accentuate the natural beauty of wood while that darker stains tend to result in a more formal rich and elegant look.

Whichever finish you choose, the quality and attention to detail that is put into each door will be a source of comfort for years and years to come.

STAINED FINISH

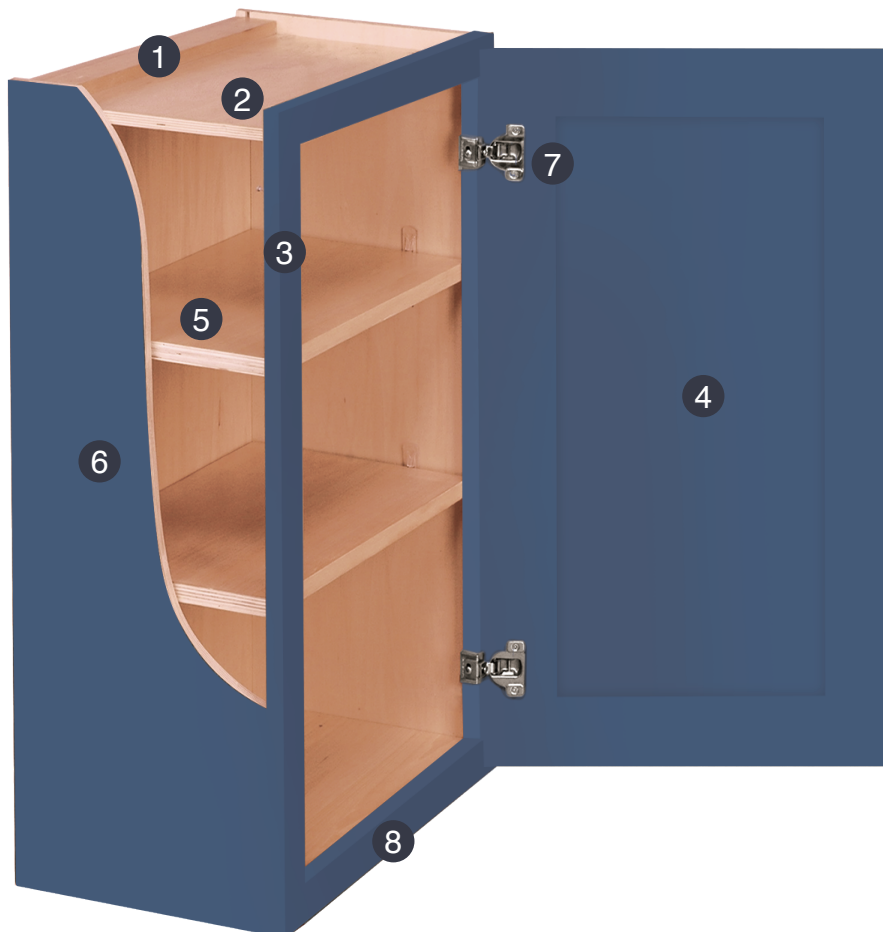
Doors and drawer fronts are carefully sanded to produce an exceptional surface that is ready to finish. A transparent stain is sprayed over the surface of the wood and allowed to penetrate and develop the grain. A protective, catalyzed sealer, chosen for its excellent adhesion moisture resistance and sealing qualities, is then applied and oven baked for durability. The surface is then fine-sanded by hand to develop a glass smooth surface for the topcoat. A tough, catalyzed conversion varnish topcoat is applied with airless spray and then oven-baked. This catalyzed conversion varnish finish and oven-curing system was chosen to provide an exceptional beautiful luster that is resistant to moisture and most household chemicals. This final process seals and protects your cabinetry from scratches dents and chips and provides a beautiful, smooth and durable finish.

PAINTED FINISH

Tribeca painted doors are hand sprayed and oven baked, layer upon layer, and hand sanded between coats to build up a hard and lustrous finish. Our painted doors are then top coated with a catalyzed conversion varnish that is very durable and protects the surface and allows for easy cleaning. Painted doors may develop hairline cracks at the joints due to moisture gain and loss causing expansion and contraction. This is considered a normal occurrence and is not viewed as a defect.

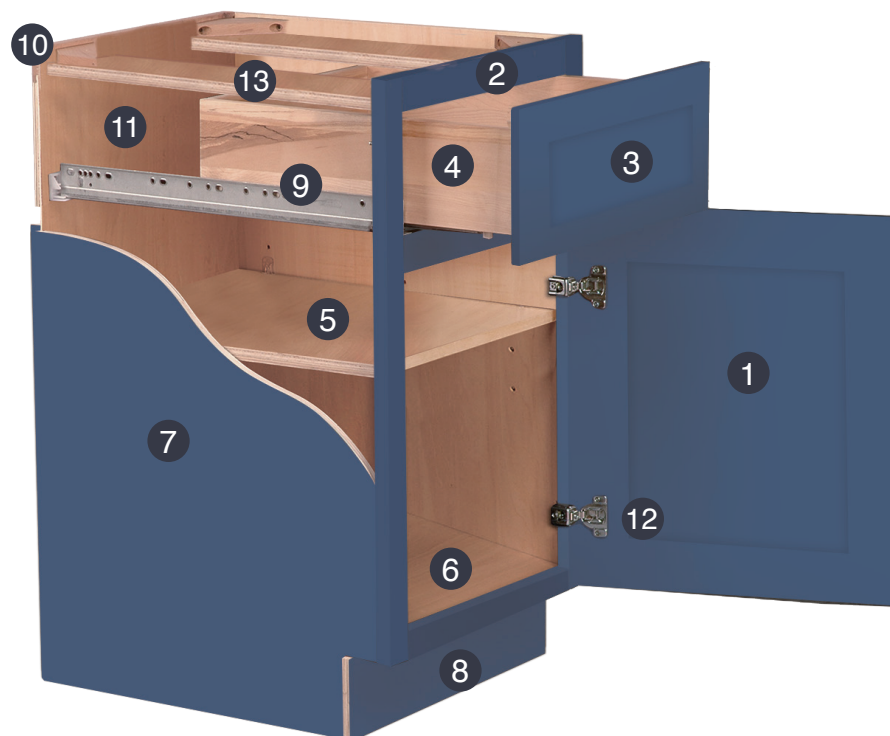
Wall Cabinet Specifications

1. Back - 1/2" veneered plywood with UV finish.
2. Top - 1/2" veneered plywood with UV finish.
3. Face frame - 3/4" solid wood.
4. Door - 3/4" solid wood door frame with mortise and tenon construction.
5. Shelf - 3/4" veneered plywood adjustable shelf with UV finish and edge banding. Stainless steel shelf clips lock into pre-drilled holes in the bottom of the shelf for support.
6. Side Panel - 1/2" veneered plywood with UV finish.
7. Concealed hinge - 6 way adjustable.
8. Bottom - 1/2" veneered plywood with UV finish.



Base Cabinet Specifications

1. Door - Solid wood door frames with mortise and tenon construction based on selected style.
2. Face Frame - 3/4" solid wood face frame.
3. Drawer face - Five piece solid wood frame with MDF center panel based on selected style.
4. Drawer - 3/4" solid wood dovetailed drawer.
5. Shelf - 3/4" full depth veneered shelves adjustable shelf with UV finish and edge banding. Stainless steel shelf clips lock into pre-drilled holes in the bottom of the shelf for support.
6. Bottom - 1/2" veneered plywood with UV finish.
7. Side Panel - 1/2" veneered plywood with UV finish.
8. Toe Kick - 1/2" matching veneered plywood toe kick.
9. Drawer Slide Options - Undermount full extension soft close slides.
10. Corner Support - Wood corner supports for added stability and structural support.
11. Back - 1/2" veneered plywood with UV finish interior.
12. Hinge - Concealed 6 way soft close.
13. Plywood Support Beams - 1/4" structural support beams are utilized for additional stability.



Cabinet Care & Cleaning Guide

Your Tribeca Cabinetry has an exceptional multi-step finish and is as durable as it is beautiful! Our catalyzed conversion topcoat creates a surface that protects your cabinetry and under normal conditions requires very little maintenance. Follow these steps on basic care and you will enjoy your Tribeca Cabinetry for many years to come:

- After installation is complete, wipe all cabinets with a damp and clean soft cloth. Dry immediately with another soft and clean cloth.
- Regular cleaning requires using only a damp cloth and then drying. For tougher areas that have been affected by dirt, grease oil or other contaminants, we recommend using a damp cloth in combination with a fresh solution of mild soap. Immediately rinse with a clean and damp cloth and then dry thoroughly.
- Warning: Excess moisture, which is especially prevalent near the sink, dishwasher, oven and baseboard areas, should be removed and dried immediately as it may cause warpage or other defects on your cabinetry.
- Avoid using abrasive cleaners, waxes, detergents, strong soaps and basic or acidic chemicals on or near your products as they may have a deteriorating effect on the finished surface.
- Avoid using a rag or dishcloth on any finished surfaces as it may contain contaminants or grease.
- For minor nicks, abrasions, scuffs and scratches, we recommend using our factory supplied touch up kit.

Assembly Option

If you require assembly for any of our fine products, please refer to the below net prices:

- Assembly for Base and Wall Cabinets: \$16 per cabinet.
- Assembly for Tall and Corner Cabinets: \$25 per cabinet.



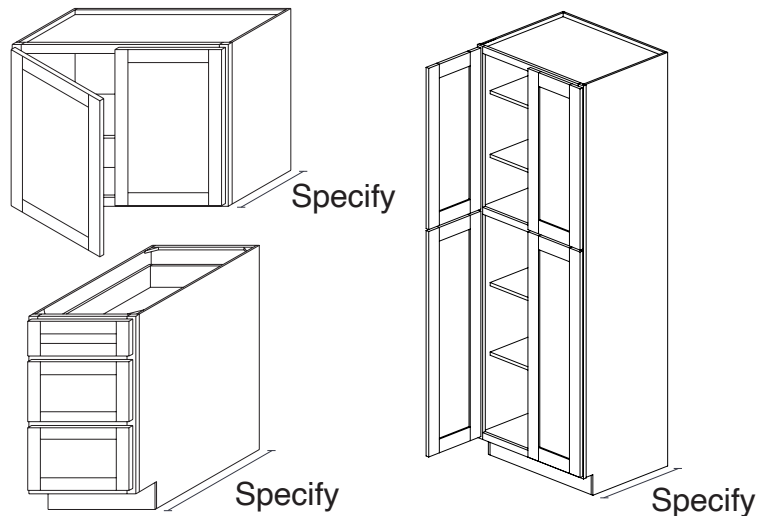
Modifications

Please note: when your order includes one of the below modifications, lead times may be extended. While we will make an effort to maintain our prices and availability, they are subject to change without notice. If you have any questions, please call our customer service department.

All modification fees shown are LIST pricing and do not include the cost of the product being modified.

Decrease Depth Wall Cabinets	\$300
Decrease Depth Base Cabinets	\$400
Decrease Depth Tall Cabinets	\$500

- Cabinets without drawers can be reduced to a minimum depth of 6".
- Cabinets with drawers can only be reduced to 19.5" and 21.5". Depths correspond to available drawer slide and box depth. (See following chart).
- Fee listed is in addition to the price of the cabinet.



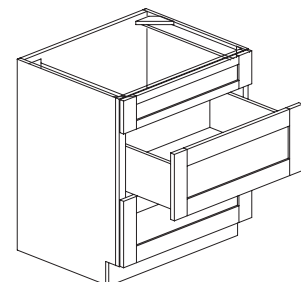
Standard Cab.Depth	Custom Cab.Depth	Standard Drawer Box Depth	Side Depth
24"	24" - 21.5"	20"	20"
21"	21" - 19.5"	18"	18"

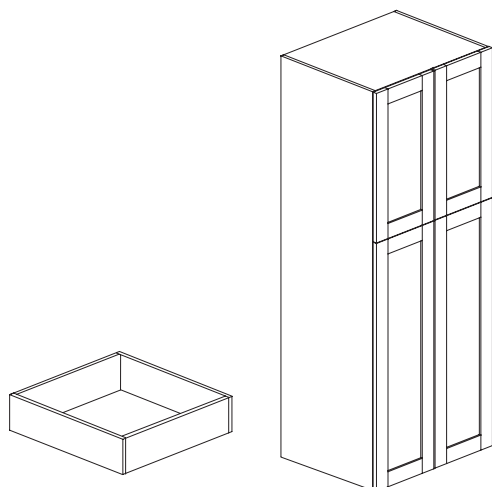
Increase Depth Wall Cabinets	\$600
-------------------------------------	--------------

- Wall cabinets without drawers can be increased up to base depth 24".

Void Top Drawer (VTD)	\$100
------------------------------	--------------

- Removes top drawer box and runner system on multi-drawer stacks.
- Drawer fronts will be attached as a false front.
- Fee listed is in addition to the price of the cabinet.

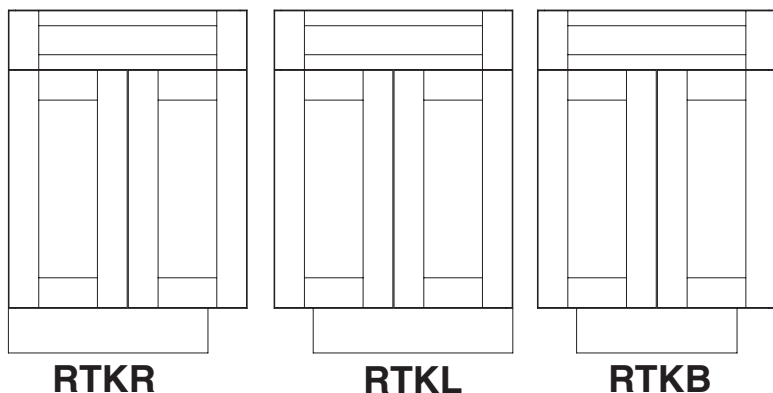




Loose Toe Kick Platform (TKP)

WTKP	N/A
BTKP	\$300
TTKP	\$300

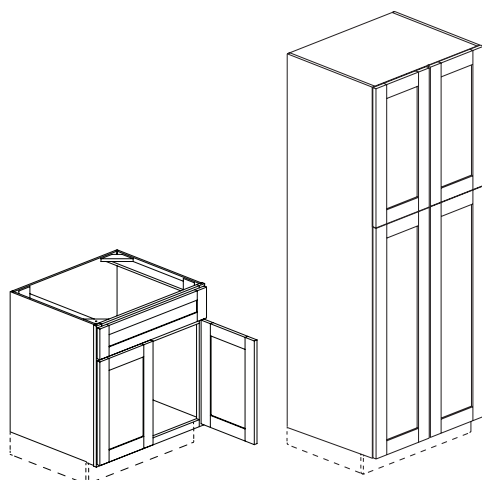
- May be necessary for tall cabinet installations. The loose toe kick platform reduces the overall cabinet height allowing the cabinet to clear the ceiling and be set up right.
- For base cabinets, may be used to reduce height to clear doorways smaller than 31".
- Fee listed is in addition to the price of the cabinet.



Recessed Toe Kick (RTK)

WRTK	N/A
BRTK	\$250
TRTK	\$250

- Available on the left (L) or right (R) side.
- Base, office, tall and vanity cabinets can be ordered with recessed toe kick.
- Must specify end(s) to receive toe kick.
- Fee listed is in addition to the price of the cabinet.



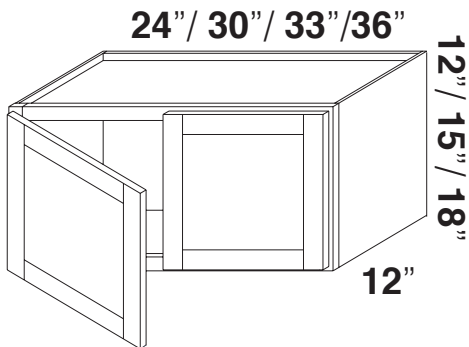
Void Toe Kick (VTK)

WVTK	N/A
BVTK	\$250
TVTK	\$250

- Base, office, tall and vanity cabinets can be ordered without a toe kick.
- Fee listed is in addition to the price of the cabinet.

Wall Cabinets

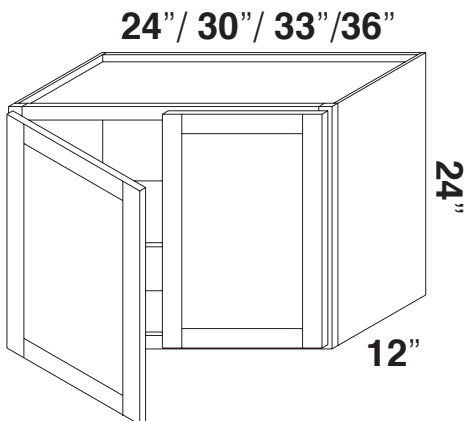
12"-24" High & 24" Deep



12"-18" High

	G1	G2
W2412	\$247	\$271
W3012	\$278	\$307
W3612	\$312	\$343
W2415	\$255	\$280
W3015	\$296	\$326
W3315	\$340	\$375
W3615	\$361	\$397
W2418	\$284	\$312
W3018	\$324	\$357
W3318	\$353	\$389
W3618	\$368	\$404

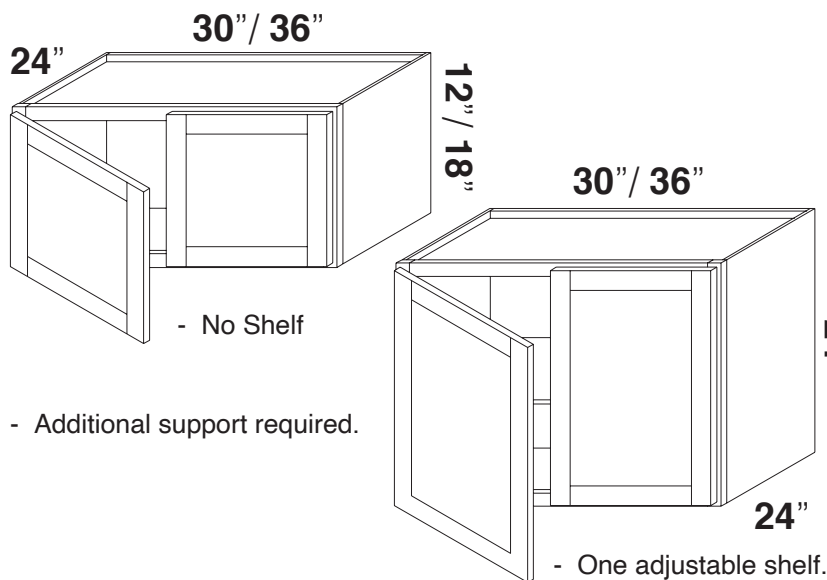
- No Shelf.



24" High

	G1	G2
W2424	\$361	\$397
W3024	\$408	\$449
W3324	\$444	\$488
W3624	\$480	\$528

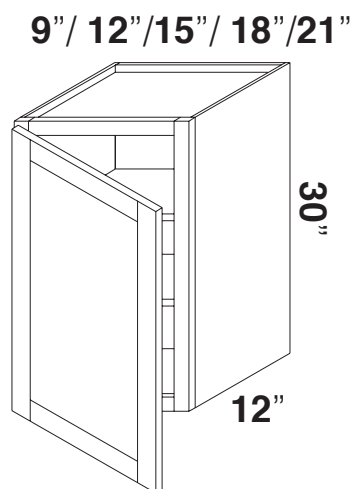
- One adjustable shelf.



24" Deep

	G1	G2
W301224	\$395	\$435
W361224	\$485	\$533
W301824	\$426	\$469
W361824	\$537	\$590
W302424	\$455	\$500
W362424	\$676	\$743

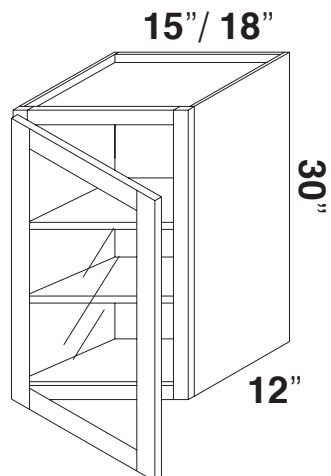
30" High Wall Cabinets



Single Door

	G1	G2
W0930	\$230	\$253
W1230	\$246	\$270
W1530	\$285	\$313
W1830	\$318	\$350
W2130	\$353	\$387

- Two adjustable shelves.

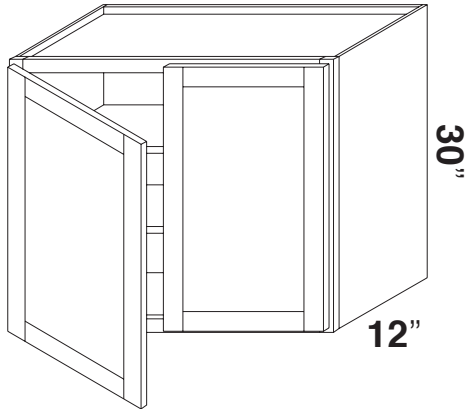


Single Door Glass

	G1	G2
GDW1530	\$562	\$618
GDW1830	\$624	\$687

- Matching finished interior.
- Two adjustable matching wood shelves
- Clear glass door included.

24" / 27" / 30" / 33" / 36"

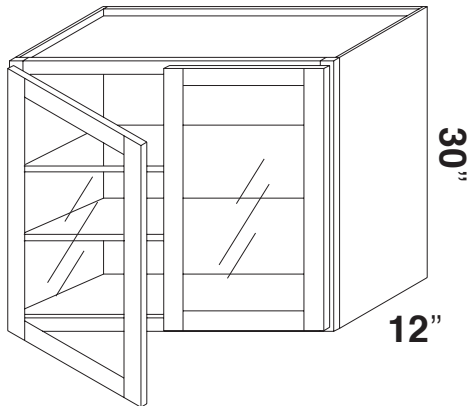


Double Door

	G1	G2
W2430	\$417	\$459
W2730	\$466	\$512
W3030	\$499	\$548
W3330	\$536	\$589
W3630	\$568	\$625

- Two adjustable shelves.

30" / 36"

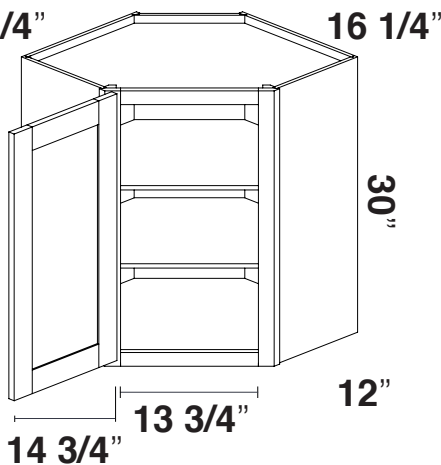


Double Door Glass

	G1	G2
GDW3030	\$1120	\$1233
GDW3630	\$1248	\$1373

- Matching finished interior.
- Two adjustable matching wood shelves
- Clear glass door included.

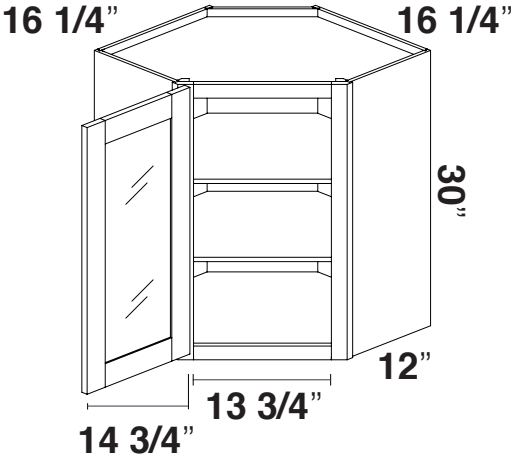
16 1/4" 16 1/4"



Diagonal Corner

	G1	G2
WDC2430	\$537	\$590

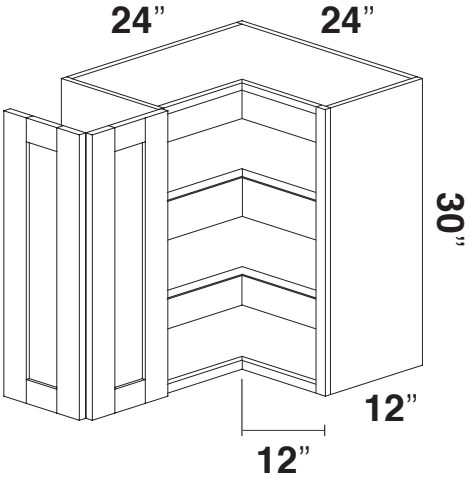
- Two adjustable shelves.
- Specify hinge left or right.



Diagonal Corner Glass

	G1	G2
GDWDC2430	\$1046	\$1150

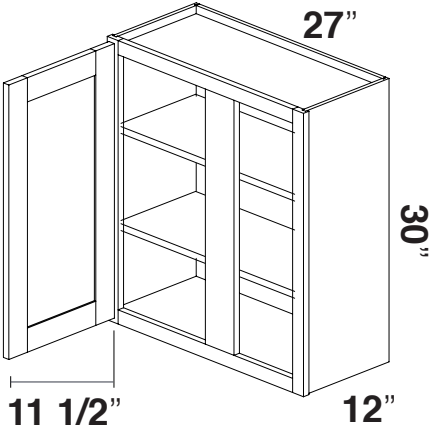
- Matching finished interior.
- Two adjustable matching wood shelves.
- Clear glass door included.
- Specify hinge left or right.



Pie Cut Corner

	G1	G2
WCOR2430	\$543	\$597

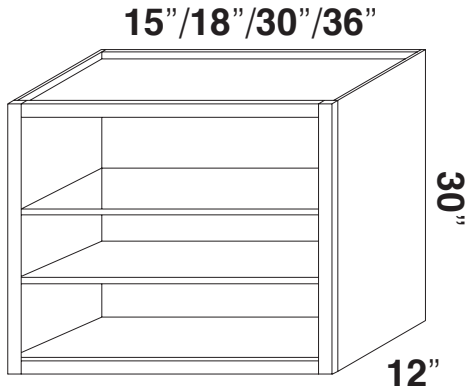
- Two adjustable shelves.
- Specify hinge left or right.



Blind

	G1	G2
WBC2730	\$516	\$567

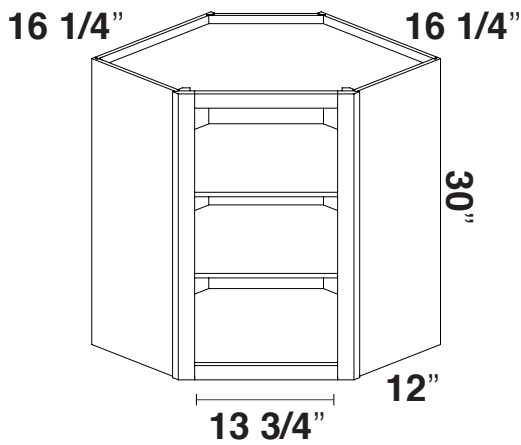
- Specify left or right.
- Can be pulled out up to 3".
- A filler of 1" or greater is required depending on the door hardware utilized.



Open

	G1	G2
WOC1530	\$285	\$313
WOC1830	\$320	\$352
WOC3030	\$501	\$551
WOC3630	\$570	\$628

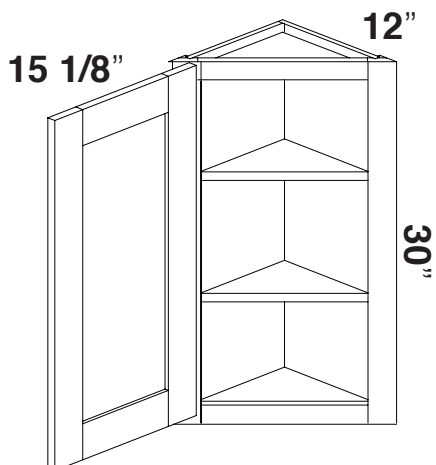
- Matching finished interior.
- Two adjustable shelves.



Open Diagonal Corner

	G1	G2
WOCD2430	\$540	\$593

- Matching finished interior.



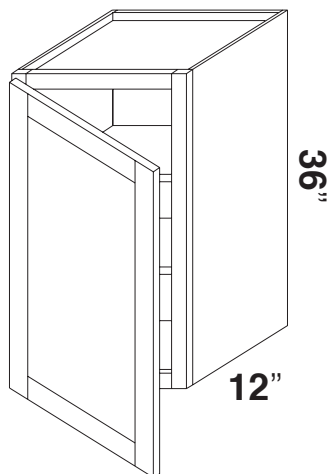
Angle End

	G1	G2
WECA30	\$287	\$316

- Two adjustable shelves.
- Specify hinge left or right.

36" High Wall Cabinets

9" / 12" / 15" / 18" / 21"

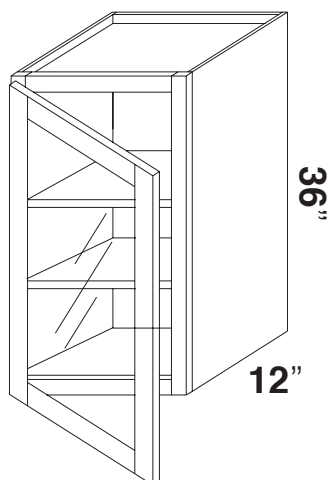


Single Door

	G1	G2
W0936	\$274	\$301
W1236	\$300	\$330
W1536	\$342	\$376
W1836	\$382	\$420
W2136	\$420	\$462

- Two adjustable shelves.

15" / 18"

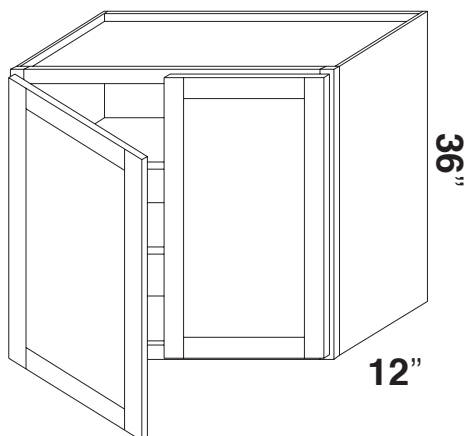


Single Door Glass

	G1	G2
GDW1536	\$643	\$707
GDW1836	\$715	\$786

- Matching finished interior.
- Two adjustable matching wood shelves.
- Clear glass door included.

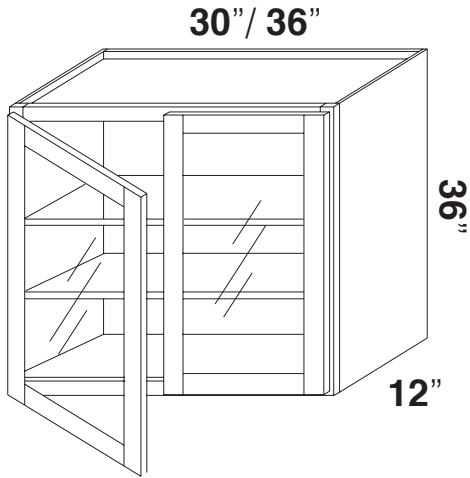
24" / 27" / 30" / 33" / 36"



Double Door

	G1	G2
W2436	\$496	\$545
W2736	\$537	\$590
W3036	\$576	\$633
W3336	\$615	\$676
W3636	\$654	\$720

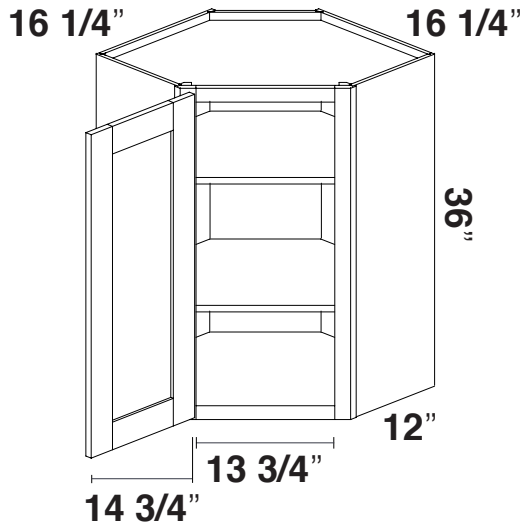
- Two adjustable shelves.



Double Door Glass

	G1	G2
GDW3036	\$1284	\$1411
GDW3636	\$1430	\$1573

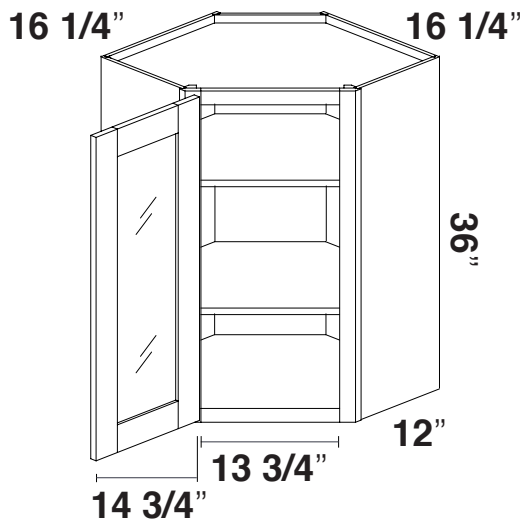
- Matching finished interior.
- Two adjustable matching wood shelves.
- Clear glass door included.



Diagonal Corner

	G1	G2
WDC2436	\$618	\$680

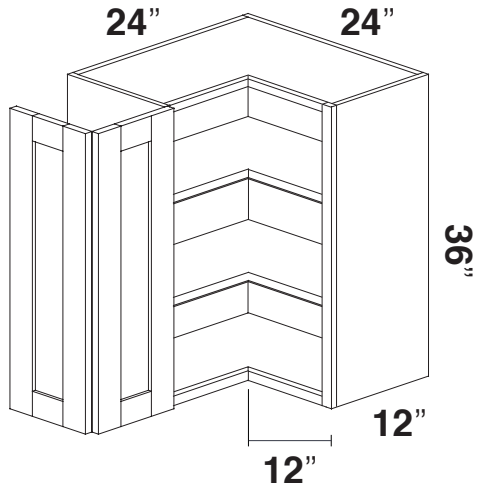
- Two adjustable shelves.
- Specify hinge left or right.



Diagonal Corner Glass

	G1	G2
GDWDC2436	\$1197	\$1317

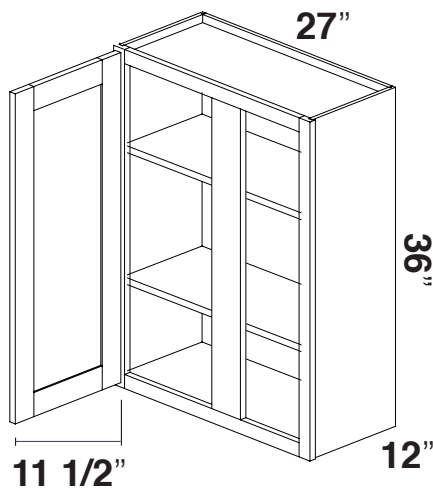
- Matching finished interior.
- Two adjustable matching wood shelves.
- Clear glass door included.
- Specify hinge left or right.



Pie Cut Corner

	G1	G2
WCOR2436	\$614	\$676

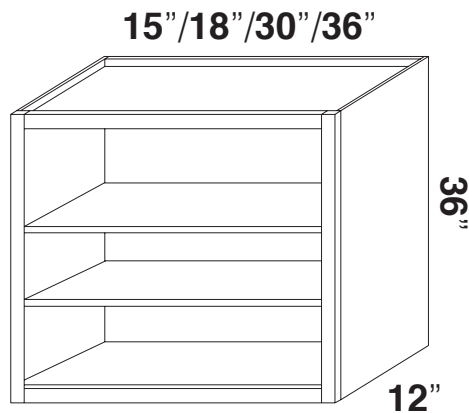
- Two adjustable shelves.
- Specify hinge left or right.



Blind

	G1	G2
WBC2736	\$547	\$602

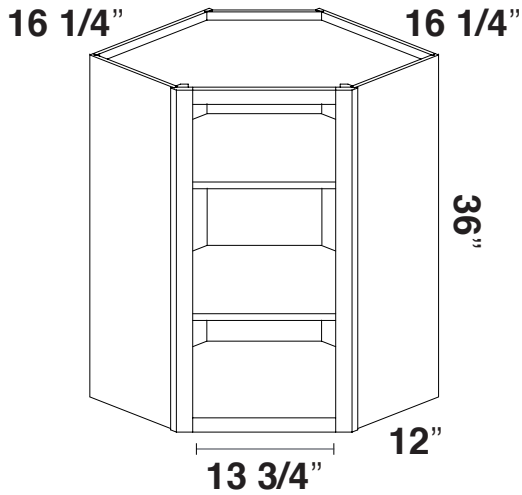
- Specify left or right.
- Can be pulled out 3".
- A filler of 1" or greater is required depending on the door hardware utilized.



Open

	G1	G2
WOC1536	\$343	\$378
WOC1836	\$383	\$421
WOC3036	\$579	\$636
WOC3636	\$657	\$723

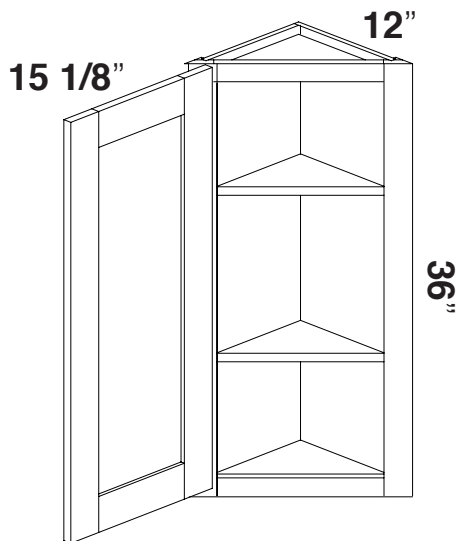
- Two adjustable shelves.



Open Diagonal Corner

	G1	G2
WOCD2436	\$622	\$684

- Matching finished interior.

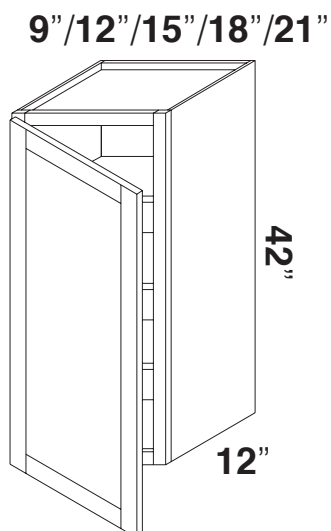


Angle End

	G1	G2
WECA36	\$329	\$361

- Two adjustable shelves.
- Specify hinge left or right.

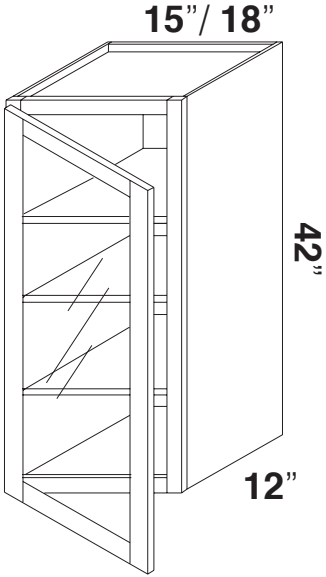
42" High Wall Cabinets



Single Door

	G1	G2
W0942	\$314	\$345
W1242	\$340	\$374
W1542	\$390	\$428
W1842	\$445	\$489
W2142	\$490	\$539

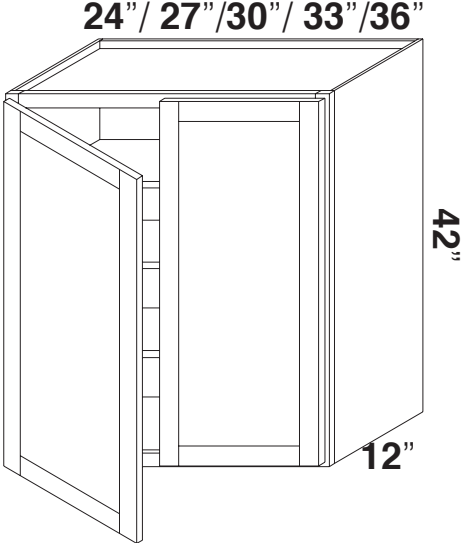
- Three adjustable shelves.



Single Door Glass

	G1	G2
GDW1542	\$761	\$837
GDW1842	\$827	\$910

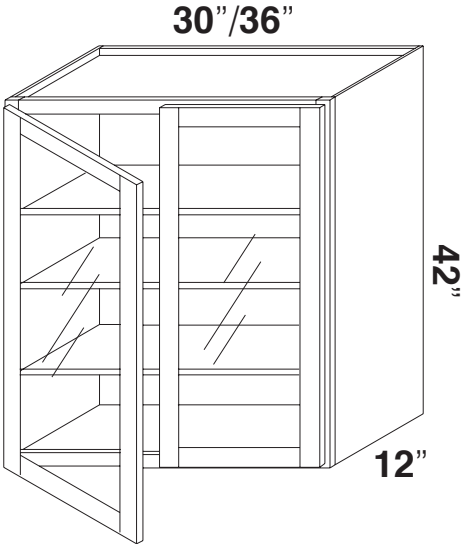
- Matching finished interior.
- Three adjustable matching wood shelves.
- Clear glass door included.



Double Door

	G1	G2
W2442	\$592	\$652
W2742	\$628	\$691
W3042	\$657	\$723
W3342	\$726	\$798
W3642	\$776	\$854

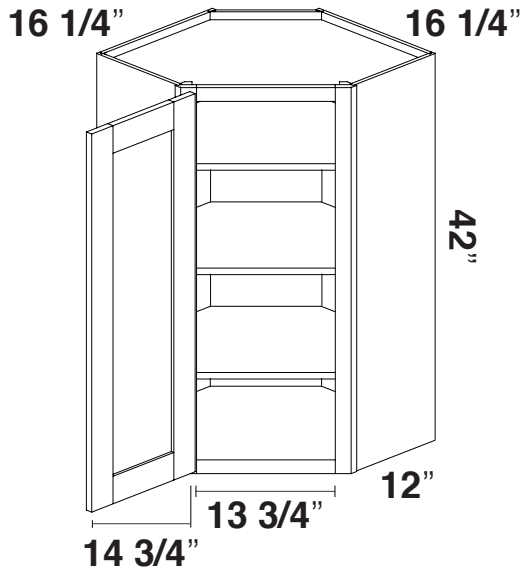
- Three adjustable shelves



Double Door Glass

	G1	G2
GDW3042	\$1491	\$1640
GDW3642	\$1656	\$1821

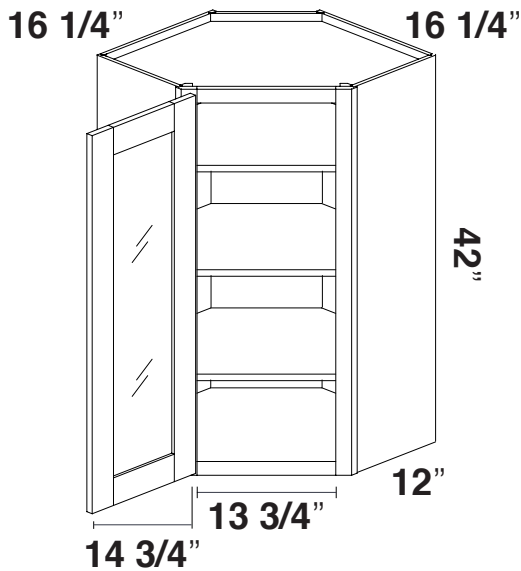
- Matching finished interior.
- Three adjustable matching wood shelves.
- Clear glass door included.



Diagonal Corner

	G1	G2
WDC2442	\$725	\$797

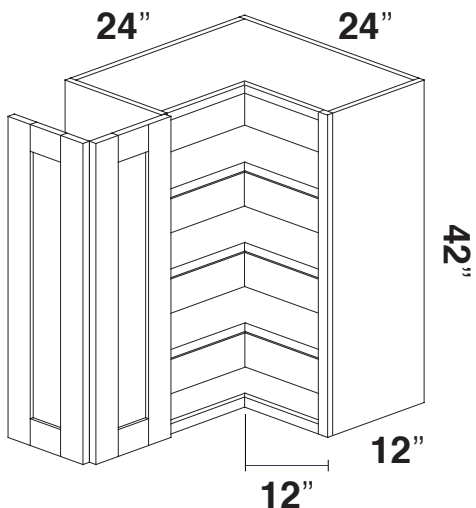
- Three adjustable shelves.
- Specify hinge left or right.



Diagonal Corner Glass

	G1	G2
GDWDC2442	\$1416	\$1557

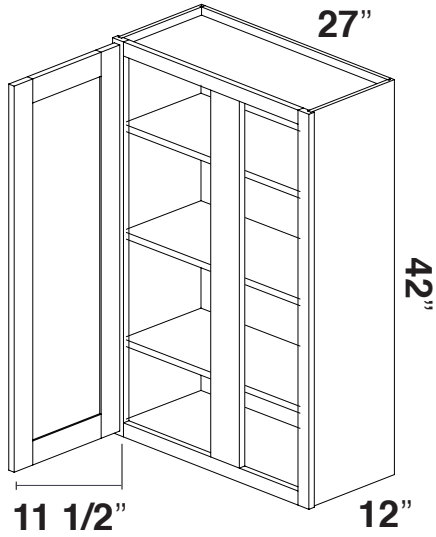
- Matching finished interior.
- Three adjustable matching wood shelves.
- Clear glass door included.
- Specify hinge left or right.



Pie Cut Corner

	G1	G2
WCOR2442	\$656	\$721

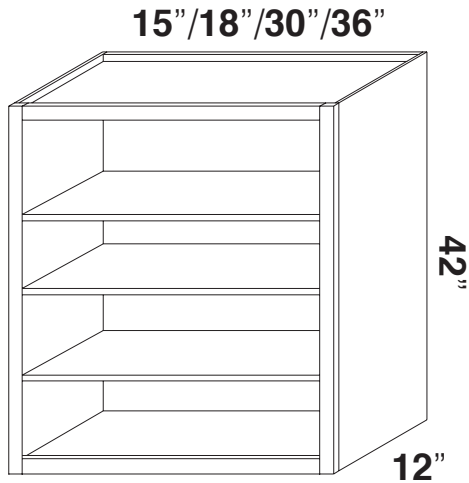
- Three adjustable shelves.
- Specify hinge left or right.



Blind

	G1	G2
WBC2742	\$660	\$727

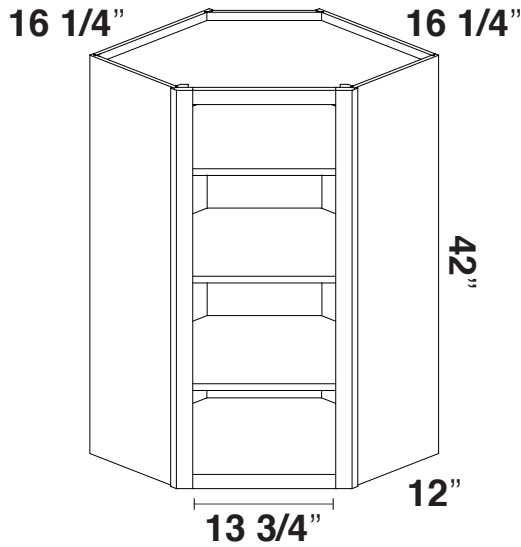
- Specify left or right.
- Can be pulled out 3".
- A filler of 1" or greater is required depending on the door hardware utilized.



Open

	G1	G2
WOC1542	\$391	\$429
WOC1842	\$447	\$491
WOC3042	\$660	\$727
WOC3642	\$779	\$857

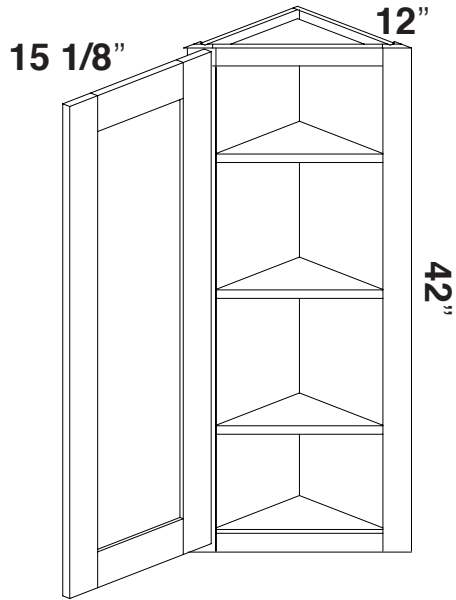
- Three adjustable shelves.



Open Diagonal Corner

	G1	G2
WOCD2442	\$728	\$801

- Matching finished interior.

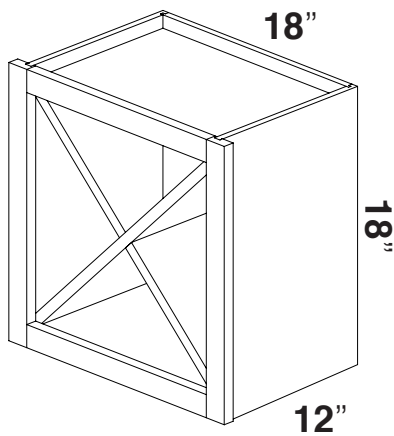


Angle End

	G1	G2
WECA42	\$379	\$417

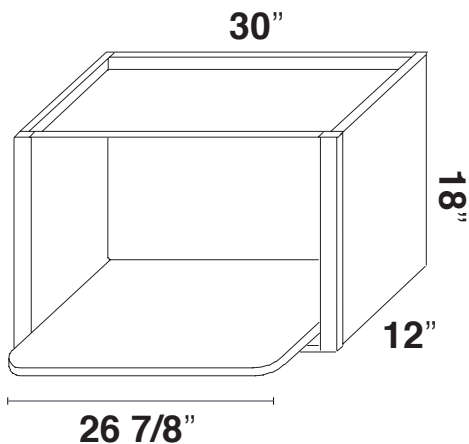
- Three adjustable shelves.
- Specify hinge left or right.

Specialty Wall Cabinets & Hoods



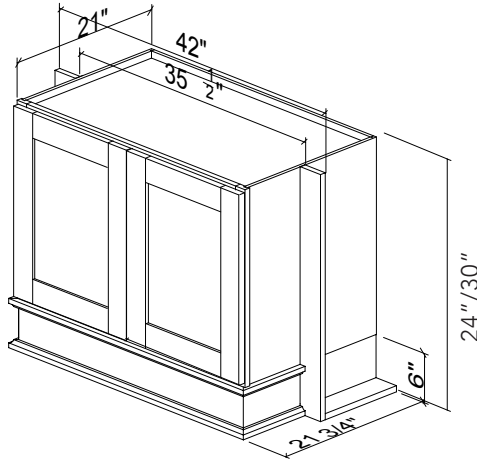
Wine Shelf

	G1	G2
WSC1818	\$151	\$166



Wall Microwave

	G1	G2
MC3018	\$205	\$225

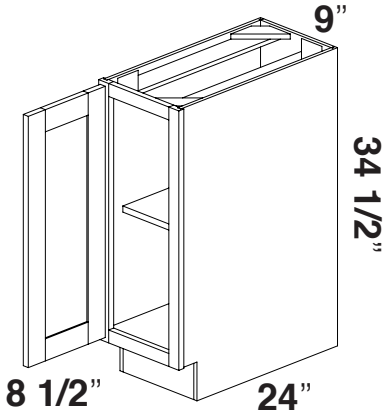


Hood

	G1	G2
WHB3624	\$1654	\$1820
WHB3630	\$1985	\$2184

- 42" wide with fillers.

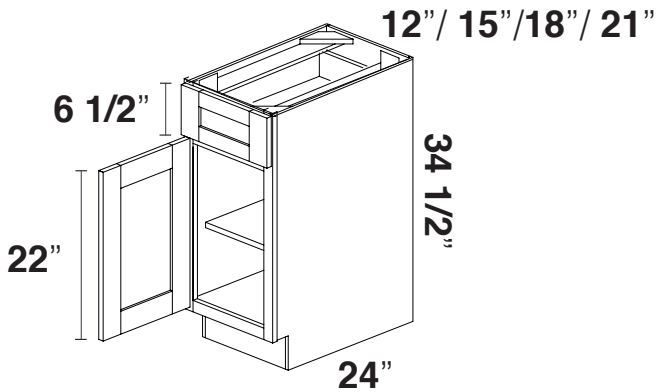
Base Cabinets



Base Full Height 9"

	G1	G2
BH09	\$386	\$425

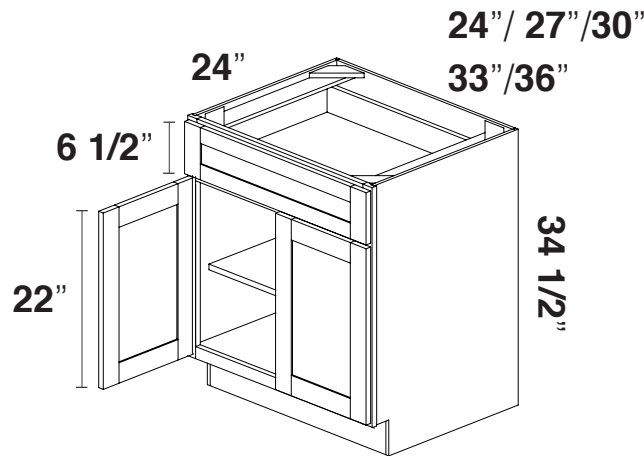
- One adjustable, full depth shelf.
- Specify hinge left or right.



Single Door

	G1	G2
B12	\$433	\$477
B15	\$465	\$512
B18	\$507	\$558
B21	\$547	\$602

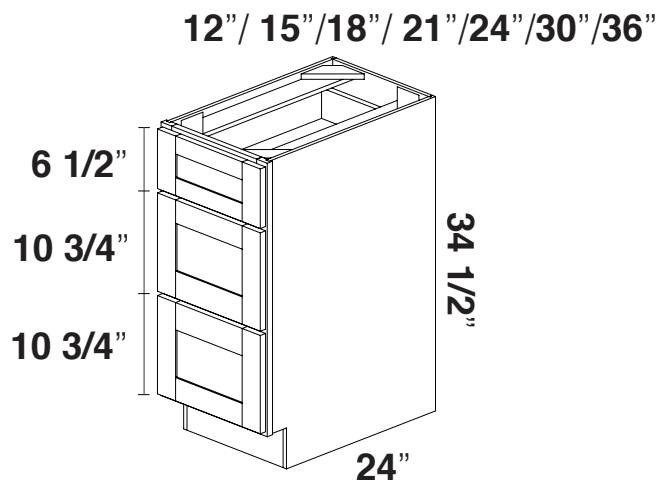
- One adjustable, full depth shelf.
- Specify hinge left or right.



Double Door

	G1	G2
B24	\$610	\$671
B27	\$657	\$722
B30	\$825	\$908
B33	\$867	\$953
B36	\$938	\$1031

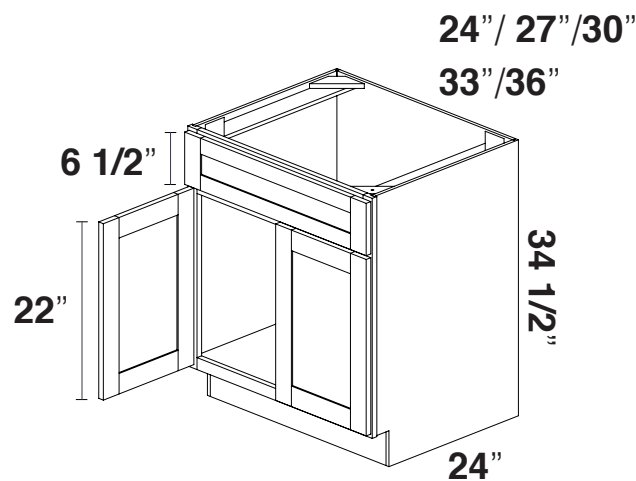
- One adjustable, full depth shelf.



Three Drawer

	G1	G2
DB12-3	\$715	\$786
DB15-3	\$758	\$834
DB18-3	\$784	\$863
DB21-3	\$810	\$890
DB24-3	\$864	\$950
DB30-3	\$970	\$1068
DB36-3	\$1111	\$1222

- One standard drawer.

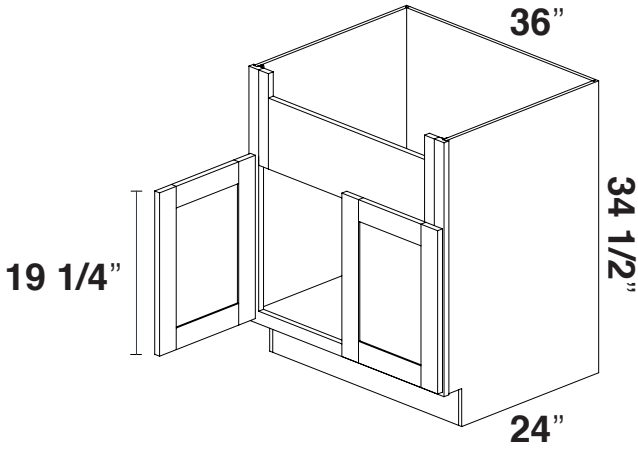


Sink Base

	G1	G2
SB24	\$610	\$671
SB27	\$657	\$722
SB30	\$588	\$646
SB33	\$644	\$708
SB36	\$665	\$731

- No shelf.

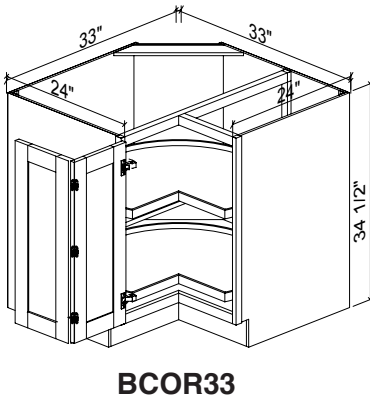
- SB24 and SB27 will ship as B24 and B27 if purchased RTA. Drawer box can be discarded before assembly.



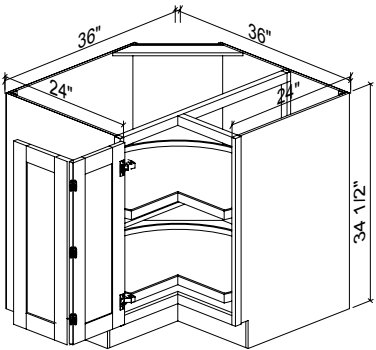
Farmhouse Sink Base

	G1	G2
SBF36	\$711	\$781

- No shelf.



BCOR33

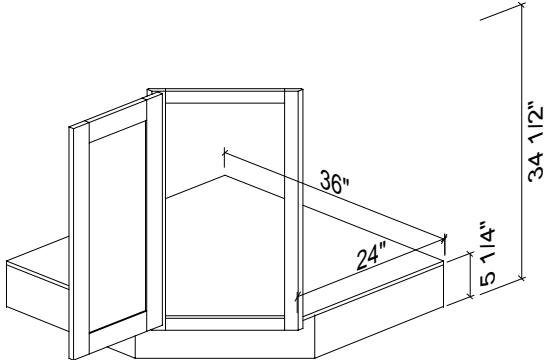


BCOR36

Base Corner with Lazy Susan

	G1	G2
BCOR33L/R	\$1159	\$1275
BCOR36L/R	\$1309	\$1440

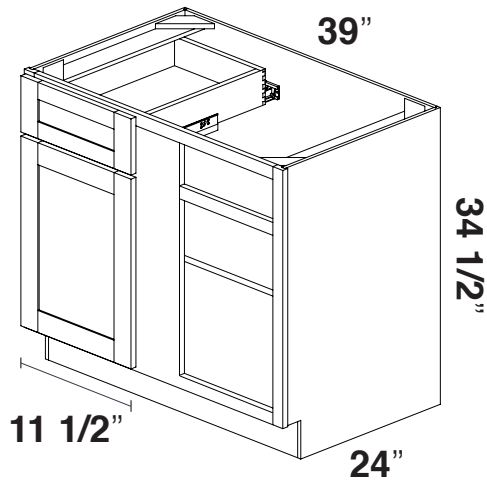
- Features two wood trays.
- Specify left or right.



Corner Sink Base

	G1	G2
CSB36	\$497	\$546

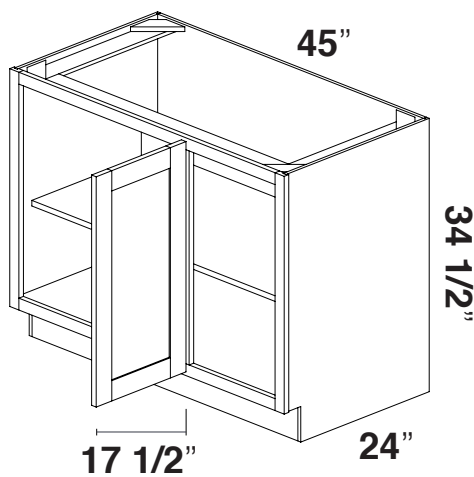
- Carcass not included, only the doors, face-frame and floor.



Base Blind

	G1	G2
BBC39/42L/R	\$916	\$1007

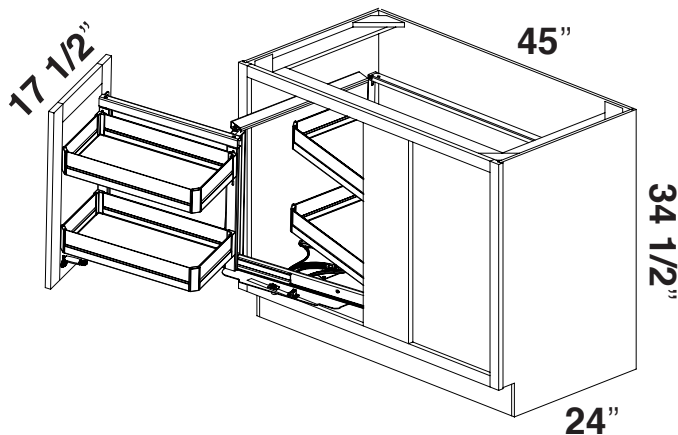
- BBC is a universal blind cabinet that is shipped as a blind right, and may be reversed in field.
- Can be pulled out 3".
- Fixed center shelf.
- 3" filler required.



Base Blind Full Height

	G1	G2
BBC45/48FHL/R	\$1213	\$1334

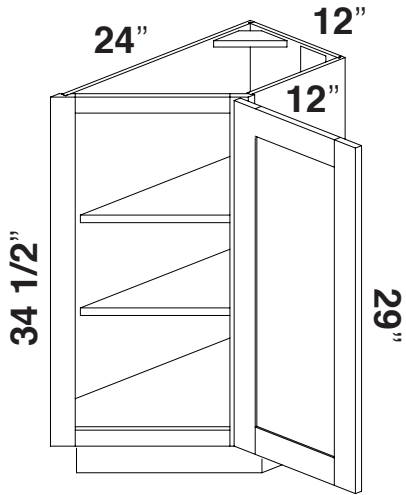
- BBC is a universal blind cabinet that is shipped as a blind right, and may be reversed in field.
- Can be pulled out 3".
- This unit comes with a full height door (no drawer included) and one fixed shelf.
- A filler of 1" or greater is required depending on the door hardware utilized.



Base Blind With Magic Corner

	G1	G2
BBC45/48FHL/R-MC	\$1909	\$2099

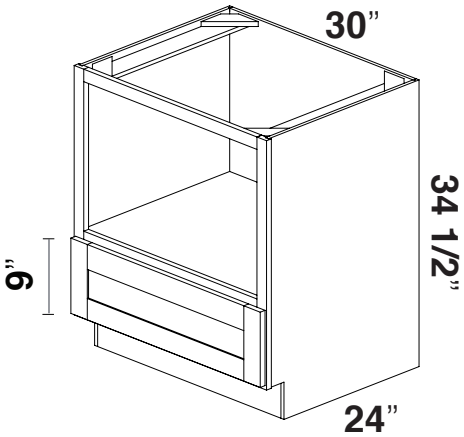
- BBC is a universal blind cabinet that is shipped as a blind right, and may be reversed in field.
- Can be pulled out 3".
- Magic Corner hardware included.
- A filler of 1" or greater is required depending on the door hardware utilized.



Base End

	G1	G2
BEC1224L/R	\$747	\$821

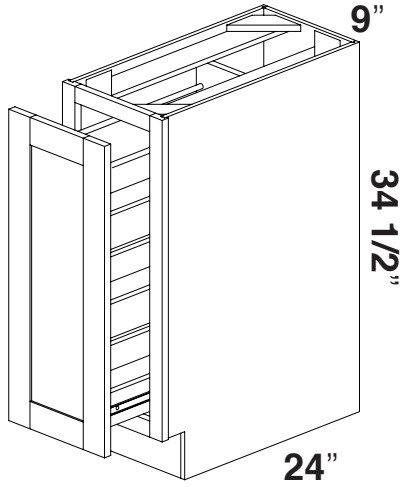
- Full height door.
- Right shown.
- RTK available hinge side only.
- Two adjustable shelves.
- Specify hinge left or right.



Base Microwave

	G1	G2
BMC30	\$622	\$684

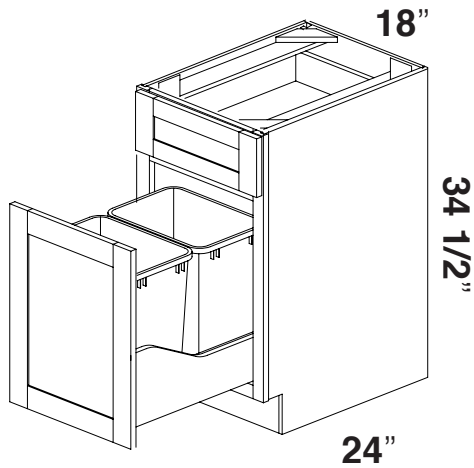
- One 9" high lower drawer.
- Frame is 3" on the left and right and can be trimmed in the field.



Base Pantry Pullout

	G1	G2
BPP09	\$717	\$789

- Three fixed wood shelves attached to a full height door.
- Unit slides on heavy duty full extension runners with an integrated soft close mechanism.



Base Wastebasket

	G1	G2
BWB18	\$1004	\$1105

- Two 35-quart pails included.
- Container rests in a solid maple frame and is easily removable for cleaning.
- Frame utilizes undermount full extension soft close slides.

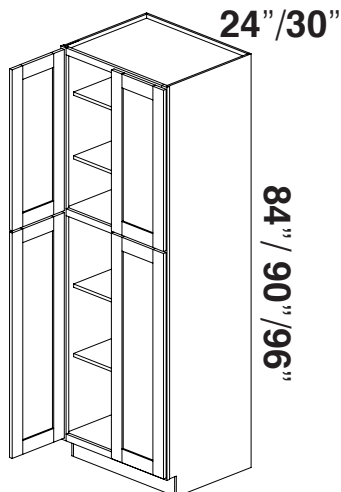
Tall Cabinets



Single Door Pantry

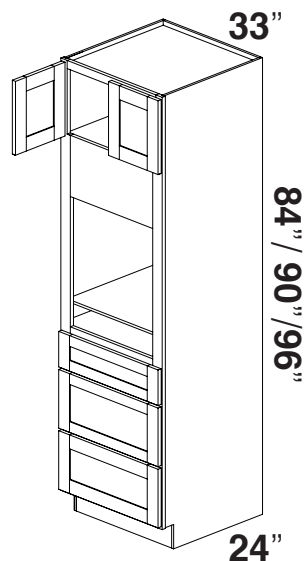
	G1	G2
PC1884	\$1337	\$1470
PC1890	\$1403	\$1544
PC1896	\$1380	\$1518

- Specify hinge left or right.



Double Door Pantry

	G1	G2
PC2484	\$1439	\$1582
PC3084	\$1541	\$1696
PC2490	\$1469	\$1616
PC3090	\$1572	\$1728
PC2496	\$1560	\$1717
PC3096	\$1661	\$1827

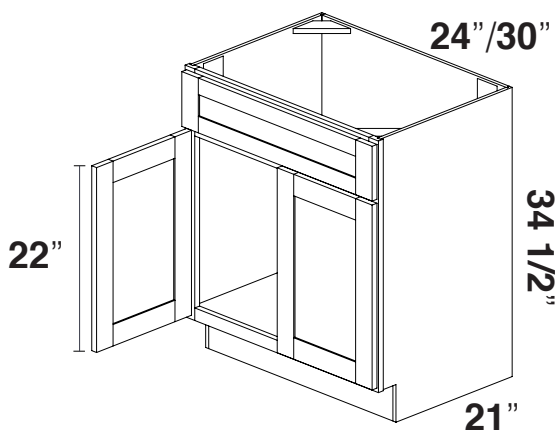


Oven Cabinets

	G1	G2
OC3384	\$1642	\$1807
OC3390	\$1739	\$1913
OC3396	\$1906	\$2096

- One shelf in OCC3396.
- Frame can be trimmed in the field and accommodate a microwave and oven.

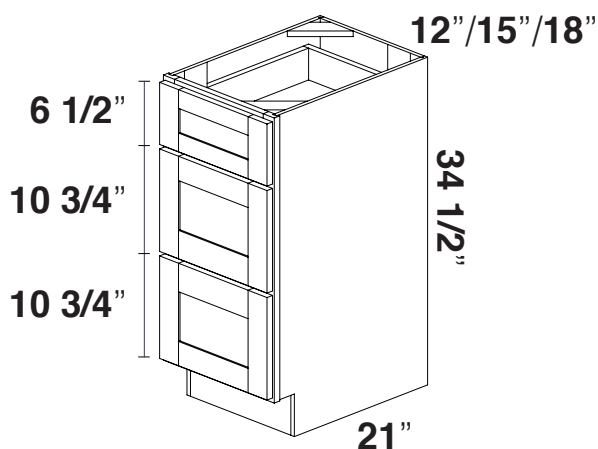
Vanity Sink Base Cabinets



Vanity Sink Base

	G1	G2
VA2421	\$532	\$586
VA3021	\$591	\$650

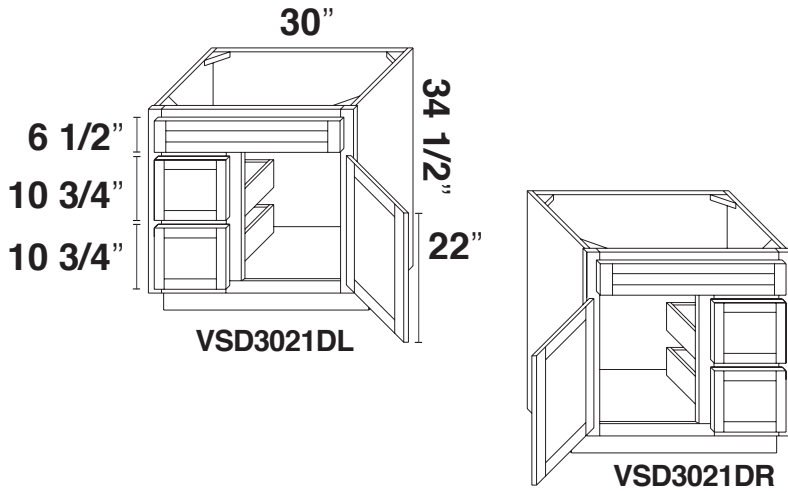
- Double door sink base with fixed drawer front.



Vanity Drawer Base

	G1	G2
VDB12-3	\$665	\$731
VDB15-3	\$710	\$781
VDB18-3	\$742	\$817

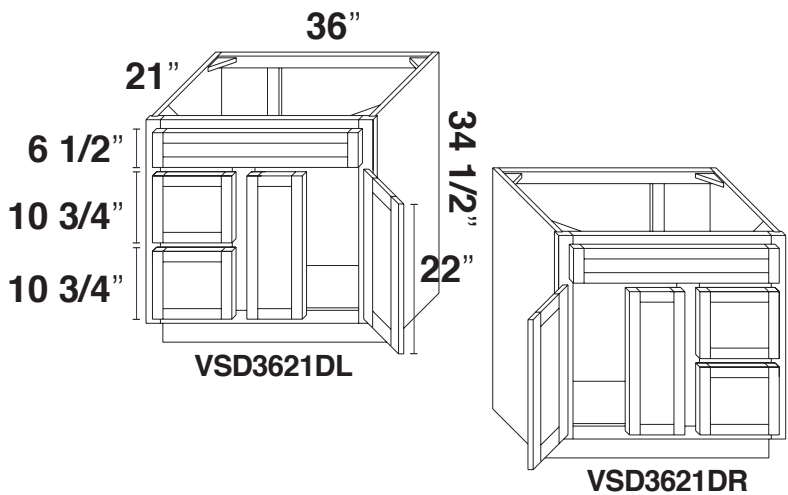
- Three working drawers.



Vanity Sink Base with Two Drawers

	G1	G2
VSD3021DL	\$796	\$875
VSD3021DR	\$796	\$875

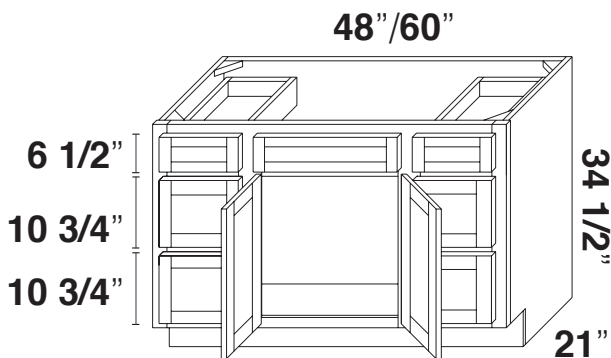
- Single door and two working drawers with one flase drawer front.
- Specify drawers left or right.



Vanity Sink Base with Two Drawers

	G1	G2
VSD3621DL	\$893	\$982
VSD3621DR	\$893	\$982

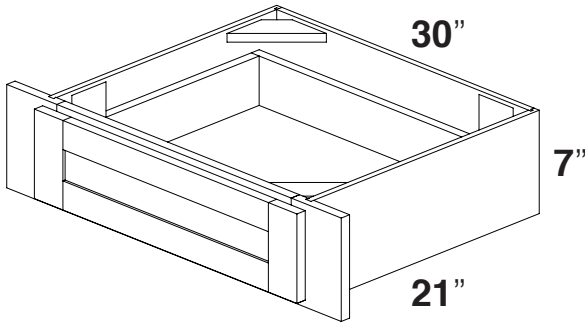
- Double doors and two working drawers with one flase drawer front.
- Specify drawers left or right.



Vanity Sink Base with Six Drawers

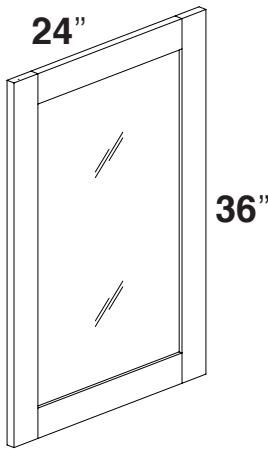
	G1	G2
VSD4821DLR	\$1196	\$1315
VSD6021DLR	\$1759	\$1935

- Two standard drawers with four deep drawers double door cabinet.



Vanity Knee Drawer Cabinet

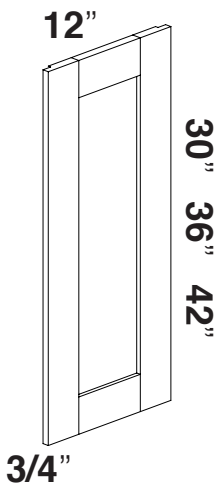
	G1	G2
VKD3021	\$381	\$419



Matching Vanity Mirror

	G1	G2
M2436	\$226	\$248

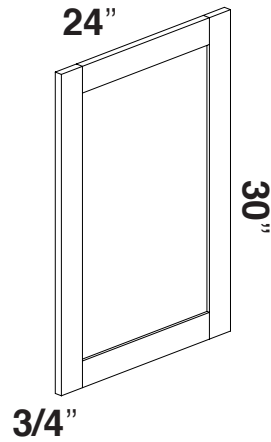
Fillers, Panels & Posts



Matching Wall End Panel

	G1	G2
MWEP30	\$113	\$124
MWEP36	\$135	\$149
MWEP42	\$165	\$181

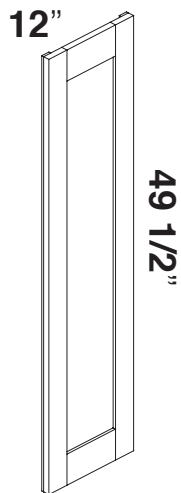
- May be installed on either left or right.
- Panel matches door style and profile.
- Matching end panels are commonly used to finish exposed ends on wall cabinet runs and also for the backs of islands.



Matching Base End Panel

	G1	G2
MBEP	\$239	\$252

- May be installed on either left or right.
- Panel matches door style and thickness and has a matching profile on four sides.
- Matching end panels are commonly used to finish exposed ends on base cabinet runs and also for the backs of islands.



Matching Pantry Base End Panel

	G1	G2
MPBEP	\$205	\$225

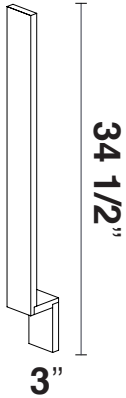
- Can be used for the side of tall cabinets or at the ends of runs in conjunction with MWEPS.



Wall Fillers

	G1	G2
F330	\$51	\$57
F336	\$60	\$66
F342	\$68	\$76

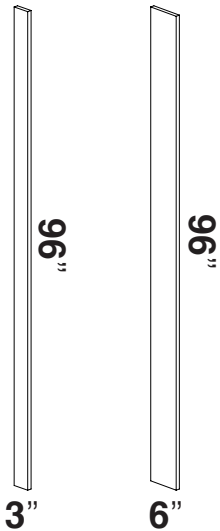
- Trimmable.
- 3/4" solid wood.



Base Filler

	G1	G2
BF3	\$68	\$76

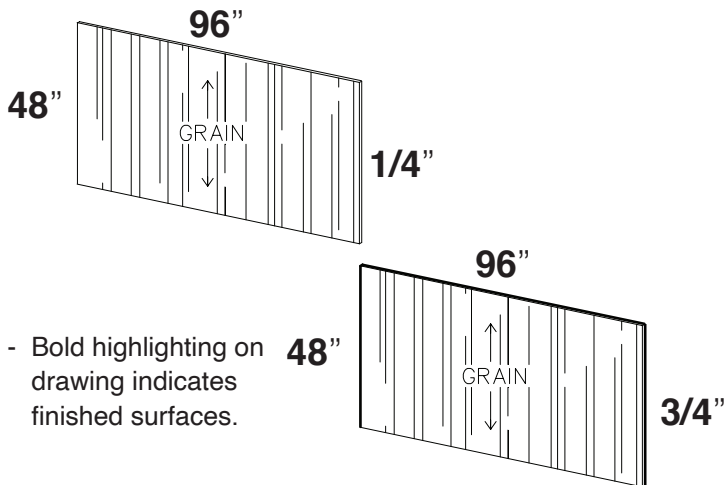
- Trimmable.
- 3/4" solid wood.



Tall Filler

	G1	G2
F396	\$107	\$118
F696	\$177	\$195

- Trimmable.
- 3/4" solid wood.
- F396 can also be used for crown molding installation. See Design Suggestions in the back of this book for details.

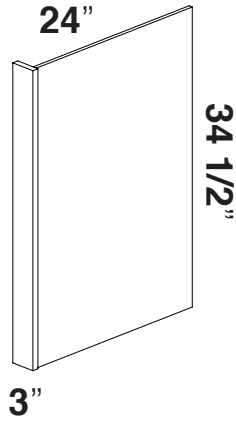


Finished Plywood Panel

	G1	G2
FPP9648 1/4	\$231	\$254
FPP9648 3/4	\$439	\$483

- Bold highlighting on drawing indicates finished surfaces.

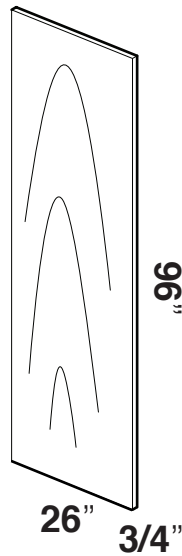
- Panel is 1/4" or 3/4".
- Can be trimmed to make an island back panel.
- The 3/4" panel can be cut down in the field and used as an alternative to the REP96 if a deeper refrigerator panel is required



Dish Washer Side Panel

	G1	G2
DWR3L/R	\$119	\$131

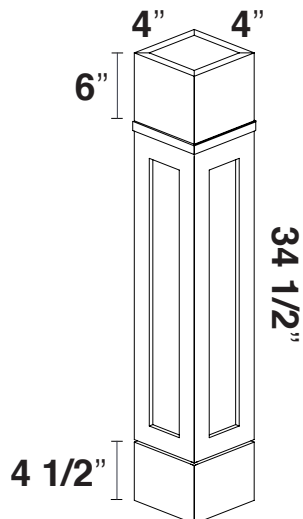
- Can be trimmed.



Refrigerator Panel

	G1	G2
REP96	\$255	\$280

- Can be trimmed.
- Bold highlighting on drawing indicates finished surfaces.



Shaker Decorative Post

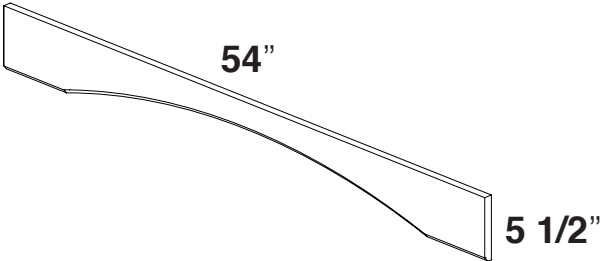
	G1	G2
SSPA34 4X4	\$683	\$751

- Solid wood



Square Decorative Post

	G1	G2
SDP34 4X4	\$455	\$504

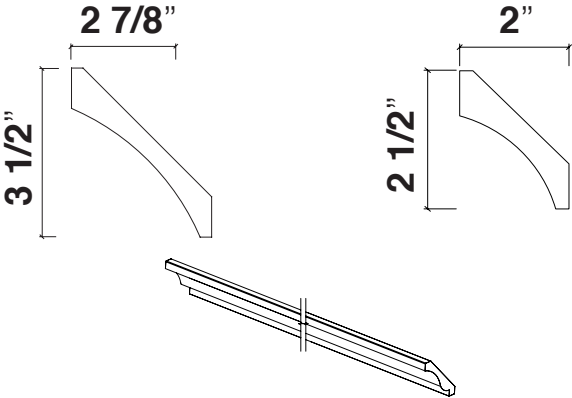


Valance

	G1	G2
V54	\$111	\$123

- 3/4" solid wood.

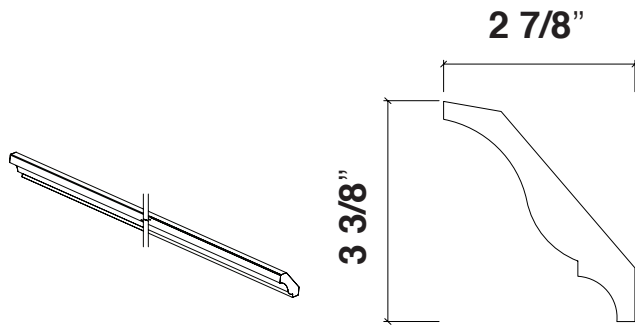
Molding & Corbels



Curved Crown Molding

	G1	G2
CVM8	\$181	\$198
LCVM8	\$249	\$273

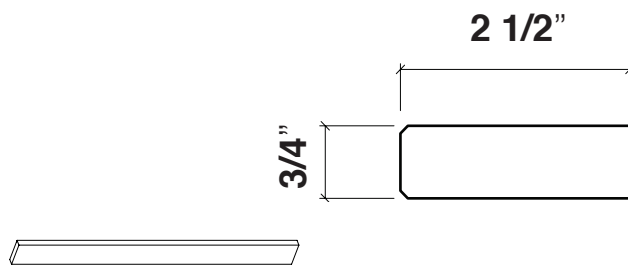
- Solid wood.



Traditional Large Molding

	G1	G2
TLM8	\$181	\$198

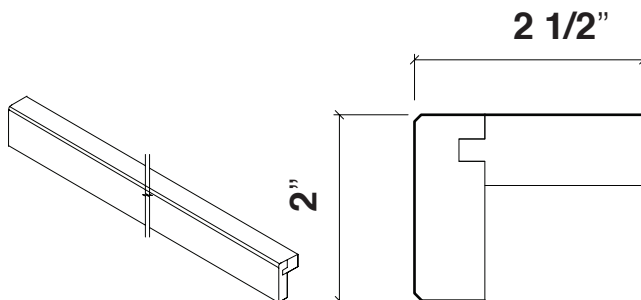
- Solid wood.



Bead Molding

	G1	G2
BM8	\$124	\$137

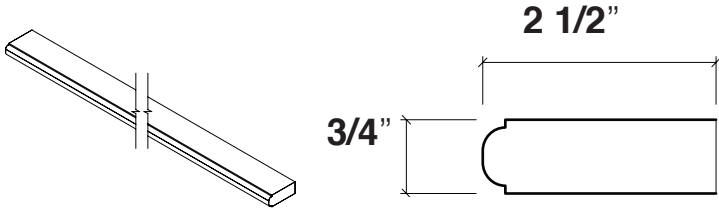
- Solid wood.
- Bold highlighting on drawing indicates finished surfaces.



Light Molding

	G1	G2
LM8	\$128	\$141

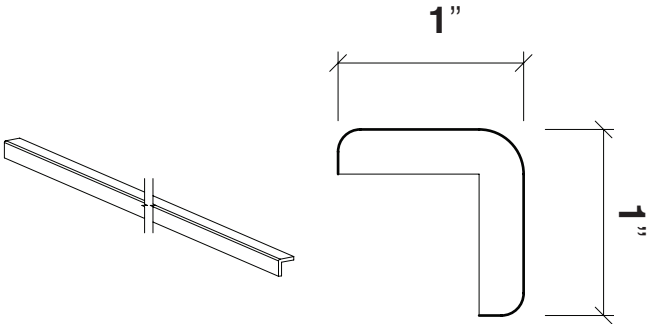
- Solid wood.
- Bold highlighting on drawing indicates finished surfaces.



Single Bead Molding

	G1	G2
SBM8	\$149	\$164

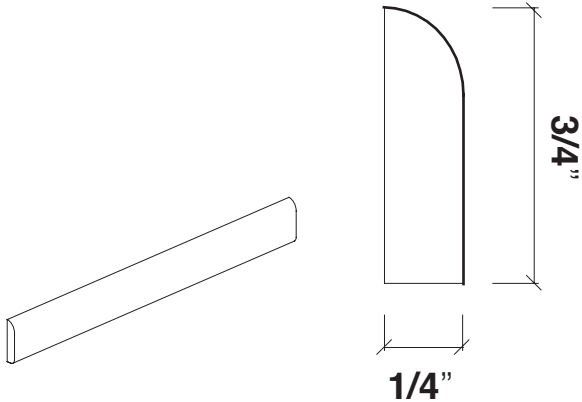
- Solid wood.
- Bold highlighting on drawing indicates finished surfaces.



Outside Corner Molding

	G1	G2
OCM8-1	\$106	\$117

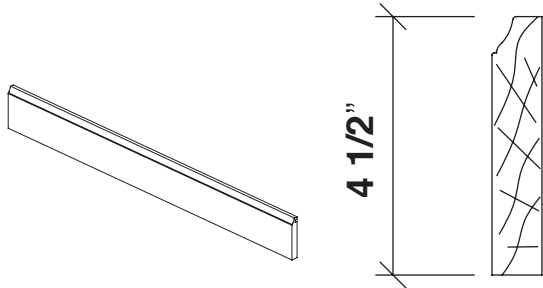
- Solid wood.
- Bold highlighting on drawing indicates finished surfaces.



Scribe Molding

	G1	G2
SM8	\$95	\$103

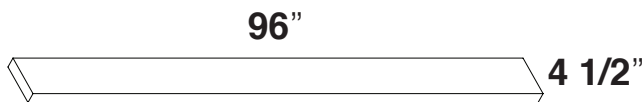
- Solid wood.
- Bold highlighting on drawing indicates finished surfaces.



Baseboard Molding

	G1	G2
TKBM8	\$176	\$194

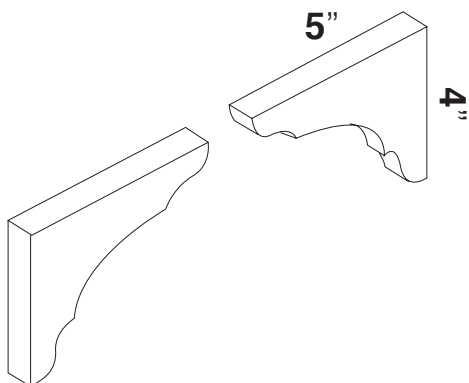
- Sold in 8' lengths and can be trimmed in the field.



Toe Kick

	G1	G2
TK8	\$44	\$48

- 3/4" thick.
- Sold in 8' lengths and can be trimmed in the field.

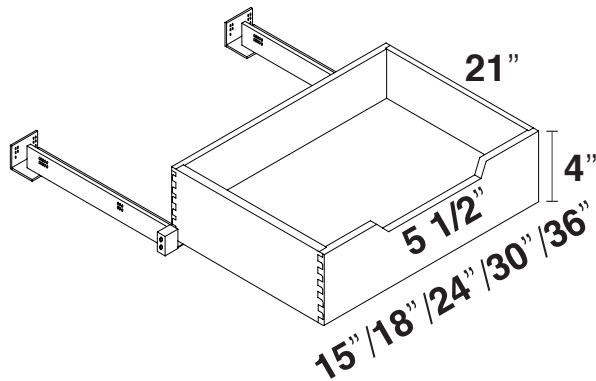


Traditional Simple Corbel

	G1	G2
SC10	\$99	\$108

- Solid wood.

Accessories



Roll Out Tray

	G1	G2
ROTD-15	\$167	\$167
ROTD-18	\$176	\$176
ROTD-24	\$195	\$195
ROTD-30	\$213	\$213
ROTD-36	\$232	\$232

- Roll out tray kit 4".
- Tray is 21" deep.
- Location is adjustable and mounting hardware and runners are included.

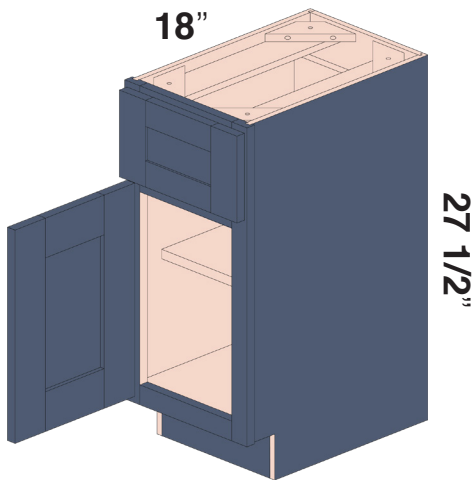


Sales Samples



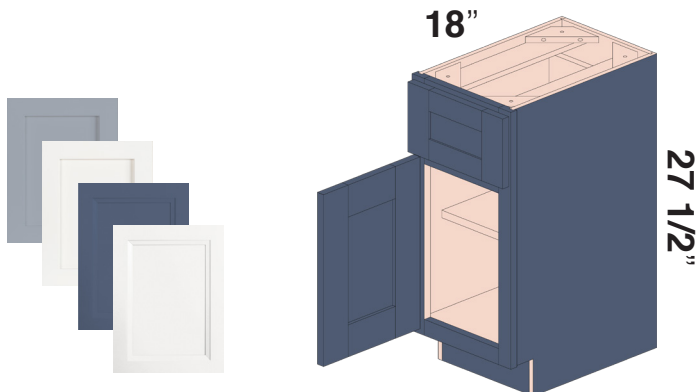
Sample Doors

	G1	G2
SD	\$20	\$20



Mini Base

	G1	G2
MB	\$150	\$150



Dealer Quick-start Package

	G1	G2
QSP	\$250	\$250

Tribeca Cabinetry Inc.

100 Newfield Ave Suite B, Edison, NJ 08837

732-902-6020

info@TribecaCabinetry.com

