

**New Collections &
Finishes for 2020:
Designer
Luxury
Classic**

St.Martin America Inc.

St.Martin
C A B I N E T R Y
~ Affordable Luxury ~

2020

SPECIFICATIONS 2020

Contents	1
About Us	2
Order Process	3
Product Policies	4
Product Specifications	5
Door Style	6
Modifications	7
Wall Cabinets	8
Wall Hoods	9
Base Cabinets	10
Tall Cabinets	11
Accessories	12
Loose Doors	13
Fillers, Panels & Posts	14
Custom Panels	15
Moldings & Corbels	16
Standard Vanities	17
Stockholm Series Furniture Vanities	18
Design Suggestions	19
Sales Samples	20

Contents	(1)	Accessories	(A1-3)
About Us/ Designer Feedback Form	(2-3)	Loose Doors	(LD1-2)
ORDER PROCESS	(4-8)	Fillers, Panels & Posts	(F1-10)
Merchandising Guide	(4)	Custom Panels	(CP1-5)
St. Martin – Product Plan	(5)	Moldings & Corbels	(M1-7)
Product Guide	(6)	Standard Vanities	(V1-13)
Stock Vanity Product Guide	(7)	Stockholm Series Furniture Vanities	(SHV1-2)
Order Process	(8)	Design Suggestions	(DS1-3)
PRODUCT POLICIES	(9-13)	Sales Samples	(S1-3)
Delivery Policies and Procedures	(9-11)		
St. Martin Warranty	(12-13)		
PRODUCT SPECIFICATIONS	(14-25)		
Wood Characteristics	(14-15)		
The St. Martin Finish	(16-17)		
Kitchen Cabinet Construction Details	(18)		
Vanity Cabinet Construction Details	(19)		
Vanity Cabinet Construction Details-Furniture Style	(20)		
Cabinet Runs	(21-23)		
Vanity Installation Specifications	(24-25)		
DOOR STYLES	(26-29)		
MODIFICATIONS	(MC1-5)		
Wall Cabinets	(W1-18)		
Wall Hoods	(WH1-3)		
Base Cabinets	(B1-16)		
Tall Cabinets	(T1-7)		

About Us

Thank you for choosing St. Martin Cabinetry!

We are excited to start this decade with an exciting new product plan, an expanded manufacturing footprint in the United States and a renewed focus on our valued customers. The kitchen is the heart of the home and it is our belief that luxury kitchens should offer unsurpassed quality while still being an excellent value. Our vision is to Provide custom cabinetry specifications, finishes and design options at a cost at or below that of semi-custom cabinetry. Our new product plan focuses on three distinct collections which offer the perfect balance of design, style and selection.

The Standard Collection includes all of our popular painted finishes in addition to several modern stains that we developed specifically to meet your tastes and needs. All of the stained products in this collection start with locally-sourced lumber and are then painstakingly hand-crafted here in the USA. While this collection offers products at a competitive lead time and affordable price-point, it will still allow you to design with flexibility and freedom. Our second collection, the Luxury Collection, offers unparalleled quality and includes new designer finishes on our most exotic wood species. The products from this series are made with the finest attention to detail and feature a 16-step finish that is guaranteed to be as beautiful as it is durable. Lastly, our Classic Collection features a carefully curated mix of some our favorite finishes of years past. Instead of discontinuing these finishes, we listened to you and decided to give them a new life in a collection of their own.

In addition to our updated product plan, we are pleased to now offer a new series of contemporary stainless-steel range hoods. The styling of these hoods is sure to complement any kitchen design and they are available in an array of modern finishes.

We anticipate 2020 to be an exciting year and for our new product plan and program enhancements to lead us into the next year and beyond. We truly appreciate your continued support and offer our deepest gratitude for the opportunity to serve you!

87 Schuylkill Street, Cressona, PA 17929
Tel : 570 . 593 . 8596 Fax : 570 . 593 . 8066

100 Newfield Ave, Suite B, Edison, NJ 08837
Tel : 732 . 902 . 6020 Fax : 732 . 902 . 6023

CONTACT INFORMATION

Hours Of Operation PA : 8:30 AM -5 PM / Hours Of Operation NJ : 7:30 AM -4 PM

Customer Service :	570 . 593 . 8596 (*0)	Order Inquiries, Revisions, Production Inquiries, General Questions
Delivery :	570 . 593 . 8596 (*103)	Delivery Inquiries, Scheduling
Marketing :	732 . 902 . 6020	Marketing Support
Design :	570.583.8596 (*105)	Design Support
Accounting:	570.593.8596 (*103 *106)	Invoices, Payments
New Dealer Service :	570.593.8596 (*103)	Invoices, Payments

Order Forms, Warranty Information, Marketing Information and Spec Books can be found on the dealer page of our website — www.StmartinCabinetry.com

Merchandising Guide

Below you will find an exciting array of merchandising materials to aid you in the sales and design process. These packages have already been discounted and will be available to all approved and registered dealers at NET pricing. No further discounts apply.

Dealer Quick-Start Package \$500

Our Quick-Start Package is a new offering that includes 13 of our most popular door and color combinations from the Standard Collection. The doors are artfully housed in the included solid wood unit which is designed to fit on any counter top. The package also includes a pack of brochures, two specification books, a color sample display and a molding block set.

Merchandising Center \$2,500

The Merchandising Center is an excellent showroom display tool that showcases our cabinet box construction and our most current doors and colors. The merchandising center comes as a complete kit and includes a base cabinet, a solid wood counter-top with a glass insert and a top rack which displays our most popular door and color combinations. The center also comes with a pack of brochures, two specification books, a color sample display and a molding block set. Installation is easy and can be done in less than 2 hours.

Showroom Displays

There is no better way to showcase St. Martin Cabinetry than designing and installing a display for your showroom. Please inquire with your sales representative for pricing, applicable discounts and style options.

Contact Info

Delivery Job Site Delivery Pick-Up PO#

Account Name: _____ Account #: _____ Date: _____

Contact: _____ Email: _____ Phone: _____

Ship To

Name: _____ Street Address: _____

City: _____ State: _____ Zip Code: _____ Phone: _____ Requested Ship Date: _____

QSP KMC SD SD-DC MB CSD MS

Literature

Sample Doors

	Code	Qty.		Code	Qty.
1			12		
2			13		
3			14		
4			15		
5			16		
6			17		
7			18		
8			19		
9			20		
10			21		
11			22		

Special Instructions:

--

Signature:

--

St. Martin – Product Plan

Our product plan features three unique collections that offer a contrasting array of different door and color options.

Standard Collection:

The Standard Collection includes our most popular stock paint colors in addition to an assortment of new and modern stains that are now proudly made in the USA. All of the products in the Standard Collection are an exceptional value and ship within a 4-6 weeks lead time.

Highlights of the Standard Collection:

- New and exciting doors and colors.
- 4 to 6 weeks lead time from the date that an order is confirmed.
- Quick turnaround time on replacement and add-on parts and cabinets.
- All modifications and SKU's found within this spec book are available in addition to custom doors and panels. *Please check with one of our design specialists or customer service representatives to make sure that a custom item not found within the spec book will fall within this program.
- All door and color combinations found within the Standard Program Price Matrix are included in this program.

Luxury Collection:

Our luxury collection includes our most exotic wood species on a variety of heirloom finishes. All of the products within the luxury collection are carefully hand-crafted and made with the finest attention to detail.

Highlights of the Luxury Collection:

- Luxury finishes and exotic wood species such as walnut, oak and alder.
- 8-10 weeks lead time from the date that an order is confirmed.
- Greater flexibility when designing including modifications for heights and widths in addition to other custom items not found in the Standard Program.

Classic Collection:

The Classic Collection features a carefully curated mix of some of our favorite finishes of years past. All are made with the finest attention to detail and prove that some things never go out of style.

Highlights of the Classic Collection:

- Timeless finishes and wood species.
- 8-10 weeks lead time from the date that an order is confirmed.
- Greater flexibility when designing including modifications for heights and widths in addition to other custom items not found in the Standard Program.

We have created a matrix on the following page that will provide a quick and concise overview of the products found within each Collection. The table above the matrix illustrates the definitions to the symbols included in the matrix.

Product Guide

To find the price group for your door and color combination, please use the chart below (X indicates not available).

3

Order Process

TIME	DOOR STYLES CODE		Clayton	Hampton	Hampton Square	Lakeland	Bellrose	Greenfield	Ridgewood	Newhaven	Wellington
	COLOR/CODE		CT	HT	H2	LL/L-II	BR	GF	RW	NH	WT
Standard Collection	Bright White	BW	G2	G3	G3	G1	G1	G1	G1	G3	G4
	Simply White	SW	G2	G3	G3	G1	G1	G1	G1	G2	G3
	Simply Gray	SG	G2	G3	G3	G1	G3	G3	G3	G3	G4
	Dove Gray	DG	G2	G3	G3	G3	G3	G3	G3	G3	G4
	Peppercorn	PC	G2	G3	G3	G3	G3	G3	G3	G3	G4
	Blue Slate	BS	G2	G3	G3	G3	G3	G3	G3	G3	G4
	Midnight Blue	MB	G2	G3	G3	G3	G3	G3	G3	G3	G4
	Oceana Blue	OB	G2	G3	G3	G3	G3	G3	G3	G3	G4
	Simply Black	SB	G2	G3	G3	G3	G3	G3	G3	G3	G4
	Winter Wheat	ww	X	X	X	G4	G4	G4	G6	G5	G7
	Misty Gray	MG	X	X	X	G4	G4	G4	G6	G5	G7
	Drifwood Cherry	DFC	X	X	X	G4	G4	G4	G6	G5	G7
	Natural Walnut	NW	X	X	X	G5	G5	G5	G7	G6	G7
	Standard Collection products have a 4-6 weeks lead time.										
Luxury Collection	Rift Cut White Oak	RWO	G6	G6	G6	G6	G6	G6	G7	X	X
	Dusk Gray Oak	DGO	G6	G6	G6	G6	G6	G6	G7	X	X
	Urban Oak	UBO	G6	G6	G6	G6	G6	G6	G7	X	X
	Onyx Oak	OXO	G6	G6	G6	G6	G6	G6	G7	X	X
	Pewter	PT	G6	G6	G6	G6	G6	G6	G7	X	X
	Weathered Cherry	WTC	X	X	X	G6	G6	G6	G7	G7	G7
	Washed Desert Grey	WDG	X	X	X	G6	G6	G6	G7	G7	G7
	Natural Walnut	NW	G6	G6	G6	X	X	X	X	X	X
Luxury Collection products have an 8-10 weeks lead time.											
Classic Collection	Ginger Cherry	GC	G4	G4	G4	G4	G4	G4	G5	G5	G6
	Cherry Golden Honey	CGH	G4	G4	G4	G4	G4	G4	G5	G5	G6
	Cherry Cognac	CCG	G4	G4	G4	G4	G4	G4	G5	G5	G6
	Cherry Chestnut	CC	G4	G4	G4	G4	G4	G4	G5	G5	G6
	Cherry Black Walnut	CBW	G4	G4	G4	G4	G4	G4	G5	G5	G6
	Gunsmoke	GS	G4	G4	G4	G4	G4	G4	G5	G5	G6
	Alder Cognac	ACG	X	X	X	G5	G5	G5	G6	G5	G6
	Gray Stone	GRS	X	X	X	G5	G5	G5	G6	G5	G6
	Anitque Black	ABK	X	X	X	G5	G5	G5	G6	G5	G6
	Classic Collection products have an 8-10 weeks lead time.										

Stock Vanity Product Guide

To find the price group for your door and color combination, please use the chart below (X indicates not available).

TIME	DOOR STYLES CODE		Lakeland	Bellrose	Greenfield	Ridgewood	Newhaven	Wellington			
	COLOR/CODE		LL/L-II	BR	GF	RW	NH	WT			
Stock Vanity Collection	Bright White	BW	G1	G1	G1	G1	X	X			
	Simply White	SW	G1	G1	G1	G1	G2	G3			
	Simply Gray	SG	G1	X	X	X	X	X			
	Cherry Golden Honey	CGH	G2	X	X	G2	G3	X			
	Cherry Cognac	CCG	G2	X	X	X	G3	X			
	Cherry Chestnut	CC	X	G2	X	X	X	X			
	Cherry Black Walnut	CBW	X	X	X	G2	X	X			
	Gunsmoke	GS	G2	X	X	X	X	X			
	Alder Cognac	ACG	X	X	X	X	X	G3			
Stock Vanity products have a 2-3 weeks lead time.											

Stockholm Series Furniture Vanities Product Guide

To find the price group for your door and color combination, please use the chart below (X indicates not available).

TIME	DOOR STYLES CODE		Lakeland								
	COLOR/CODE		LL								
Stockholm Series	Bright White	BW	G1								
	Simply White	SW	G1								
	Simply Gray	SG	G1								
	Stockholm Series products have a 2-3 weeks lead time.										
	All Other Painted Finishes		G4								
Stockholm Series G4 products have a 4-6 weeks lead time.											

Order Process

3**Order Process**

If you are a new account, the following must be on file before any orders can be processed:

- Signed Credit Card Authorization
- Signed Dealer Agreement
- Current Sales Tax Exemption Certificate
- Signed Personal Guaranty (Only applicable if credit terms are requested)
- Signed Dealer Product & Awareness Form

Please use the following to process an order:

- To submit an order, please either fill out the St. Martin Order Form or submit a 20/20 PDF Quote (the quote should show our codes, descriptions, and the applicable door and color).
- Please indicate whether you would like this order delivered or scheduled for pickup. If you would like the order delivered, please provide the delivery address and any special job-site conditions we should be aware of.
- To send orders by fax, please send orders to (570.593.8066).
- To send orders by email, please send to Sales@StMartinCabinetry.com.
- Please note: we do not accept orders over the phone.
- St. Martin Cabinetry will only accept orders from accounts in good standing: please reach out to our accounting department for details about your payment terms and current account status.

How the process works:

- Upon receipt of your order, our customer service team will send you back an order confirmation within 2-3 business days.
- Please take time to thoroughly check your confirmation to ensure that the color, door style, codes, shipment information, projected ship week and pricing are all accurate.
- Should your order require revisions, please email or fax them to our customer service team who will subsequently send back a revised confirmation for final approval. Please be aware that any delays during the order process may affect the projected ship week.
- To finalize and immediately place your order into production, please sign the bottom of the order confirmation and send it back to our customer service department. By signing the order, you take full responsibility for any and all errors on the order form.
- Due to the custom nature of our cabinetry, we do not accept cancellations or modifications once an order has been finalized.
- One week prior to projected ship week found on the finalized order confirmation, our shipping department will contact you to schedule delivery.

Luxury and Classic Collection Special Order Process:

- All Luxury and Classic Collection orders will require a 50% deposit paid in full at the time the order is confirmed and the balance upon delivery due to the custom nature of the products. Moreover, certain door and color combinations in our standard program (G4-G7) will also require a 50% deposit as they are made to order and completely custom. Customer service will alert you at the time of order whether a deposit, if any, is required.

If you have any questions or need help placing an order, please contact our Customer Service Team.

Customer Service Information:

Ph: 570-593-8596

E-mail: Sales@StmartinCabinetry.com

Contact Info

Delivery Job Site Delivery Pick-Up PO#

Account Name: _____ Account #: _____ Date: _____

Contact: _____ Email: _____ Phone: _____

Ship To

Name: _____ Street Address: _____

City: _____ State: _____ Zip Code: _____ Phone: _____ Requested Ship Date: _____

Door Style: _____ Finish: _____

Qty.	Code	Hinge L-R	Fin Ends L-R/LR-NA (ONLY KITCHEN)	Price	Qty.	Code	Hinge L-R	Fin Ends L-R/LR-NA (ONLY KITCHEN)	Price
1					20				
2					21				
3					22				
4					23				
5					24				
6					25				
7					26				
8					27				
9					28				
10					29				
11					30				
12					31				
13					32				
14					33				
15					34				
16					35				
17					36				
18					37				
19					38				

Special Instructions:

Total Number Finished Ends
TTL List - Cabinets
Multiplier
Total Cost

Signature: _____

Contact Info

Delivery Job Site Delivery Pick-Up PO#

Account Name: _____ Account #: _____ Date: _____

Contact: _____ Email: _____ Phone: _____

Ship To

Name: _____ Street Address: _____

City: _____ State: _____ Zip Code: _____ Phone: _____ Requested Ship Date: _____

Door Style: _____ Finish: _____

	Qty.	Code	Hinge L-R	Price		Qty.	Code	Hinge L-R	Price
1					20				
2					21				
3					22				
4					23				
5					24				
6					25				
7					26				
8					27				
9					28				
10					29				
11					30				
12					31				
13					32				
14					33				
15					34				
16					35				
17					36				
18					37				
19					38				

Special Instructions:

Total Number Finished Ends	
TTL List - Cabinets	
Multiplier	
Total Cost	

Signature: _____

3
Order Process

Contact Info

Delivery Job Site Delivery Pick-Up PO#

Account Name: _____ Account #: _____ Date: _____

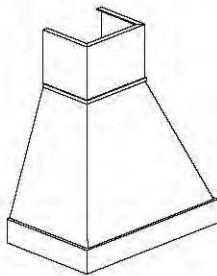
Contact: _____ Email: _____ Phone: _____

Ship To

Name: _____ Street Address: _____

City: _____ State: _____ Zip Code: _____ Phone: _____ Requested Ship Date: _____

ASHTON RANGE HOOD
22" DEEP 42" 48" TALL



Step 1 Code : ASH

3642 4242 4842 3648 4248 4848

Step 2 Range Hood Body Color :

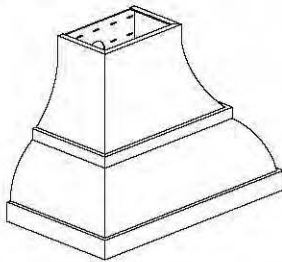
Powder Coated White Metallic Black Brushed Stainless Steel

Step 3 Trim Color :

Polished Stainless Steel Brushed Brass Same As Body Finish

Coming soon: please inquire with customer service to confirm availability.

CHATEAU RANGE HOOD
23" DEEP 30" TALL



Step 1 Code : CHA

3630 4230

Step 2 Range Hood Body Color :

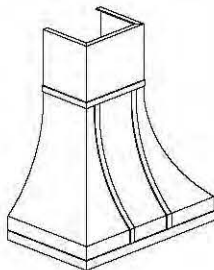
Powder Coated White Metallic Black Brushed Stainless Steel

Step 3 Trim Color :

Polished Stainless Steel Brushed Brass Same As Body Finish

Coming soon: please inquire with customer service to confirm availability.

ORLEANS RANGE HOOD
22" DEEP 42" 48" TALL



Step 1 Code : ORL

4242 4842 4248 4848

Step 2 Range Hood Body Color :

Powder Coated White Metallic Black Brushed Stainless Steel

Step 3 Trim Color :

Polished Stainless Steel Brushed Brass Same As Body Finish

Coming soon: please inquire with customer service to confirm availability.

Signature: _____

Contact Info

Delivery Job Site Delivery Pick-Up PO#

Account Name: _____ Account #: _____ Date: _____

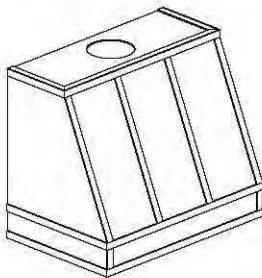
Contact: _____ Email: _____ Phone: _____

Ship To

Name: _____ Street Address: _____

City: _____ State: _____ Zip Code: _____ Phone: _____ Requested Ship Date: _____

MADISON RANGE HOOD



Step 1 Code : MAD

3630 4230 4830 6030

Step 2 Range Hood Body Color :

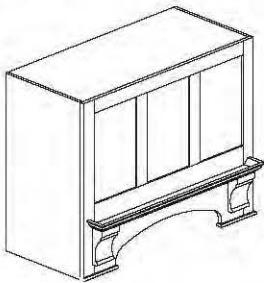
Powder Coated White Metallic Black Brushed Stainless Steel

Step 3 Trim Color :

Polished Stainless Steel Brushed Brass Same As Body Finish

Coming soon; please inquire with customer service to confirm availability.

WALL HOOD CONNECTED A



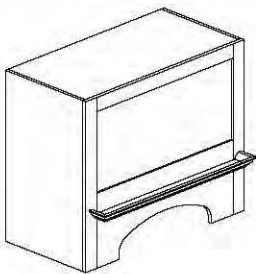
Step 1 Code : WCHA

4824 6024 4830 6030 4836 6036

Step 2 Select Front Panel Style :

Step 3 Select Color :

WALL HOOD CONNECTED B



Step 1 Code : WCHB

3624 4224 3630 4230 3636 4236

Step 2 Select Front Panel Style :

Step 3 Select Color :

Signature: _____

Contact Info

Delivery Job Site Delivery Pick-Up PO#

Account Name: _____ Account #: _____ Date: _____

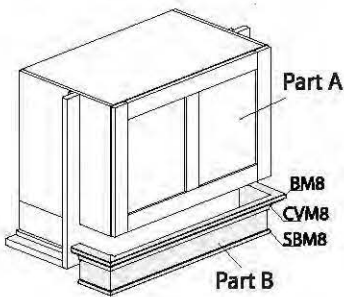
Contact: _____ Email: _____ Phone: _____

Ship To

Name: _____ Street Address: _____

City: _____ State: _____ Zip Code: _____ Phone: _____ Requested Ship Date: _____

WALL HOOD CONNECTED C



Step 1 Code: WHCC

- 3624 4224 4824 6024 3630 4230
- 4830 6030 3636 4236 4836 6036

Step 2 Select Front Panel Style :

Step 3 Select Part A Color :

Step 4 Select Part B Color :

Signature: _____

Delivery Policies and Procedures

Lead times

Standard Collection (Please refer to the product plan on page 5 for more information)

- Standard Kitchen orders will have a 4-6 weeks lead time from the time that an order is confirmed.
- Standard Vanity orders not found within the Stock Vanity Program will have a 4-6 weeks lead time from the time that an order is confirmed.

Standard Collection Replacements/Add-ons

- Painted replacement and add-on items that do not require a truck delivery will take 1-2 weeks from the time that an order is confirmed.
- Painted replacement and add-on orders of less than three cabinets that require a truck delivery will take 2-3 weeks from the time an order is confirmed.
- Replacement items from the standard program that require a truck delivery will take 2-3 weeks from the time that an order is confirmed.

Luxury and Classic Collection (Please refer to our product plan on page 5)

- All kitchen and vanity orders from the Luxury and Classic Collections will have an 8-10 weeks lead time from the time that an order is confirmed.

Luxury and Classic Collection Replacements/Add-ons

- All replacements items that do not require a truck delivery will take 3-4 weeks from the time that an order is confirmed. If a replacement item does require a truck delivery, it will take 8-10 weeks from the time an order is confirmed.
- All add-on items will take 8-10 weeks from the time that an order is confirmed.
- If a replacement or add-on needs to be expedited, please inquire with customer service as to whether the request can be accommodated and what costs, if any, will be applicable.

Stock Vanity Collection:

- Stock Vanity orders will have a 2-3 weeks lead time from the date that an order is confirmed.

Delivery & Storage Fees

- Our delivery model includes free delivery to your commercial business location or central delivery warehouse. The cost of these deliveries is included in your multiplier.
- If job site delivery is required, please specify this on the order form. Delivery will be made by the driver and a helper to the first available location which is normally the garage or first floor. The cost will be \$18.00 per cabinet with a \$150.00 minimum charge assessed on orders. Dealer is responsible for ensuring that all delivery areas are accessible with our equipment and that all cabinets will be deliverable inside. Please check and confirm that large cabinets, range hoods and pantry cabinets will fit through doorways. More difficult deliveries may incur an additional delivery charge.

- Deliveries to "VA, NC, SC, GA & FL" will incur a minimum delivery charge of \$200.00. Job site deliveries to these areas are not available.
- Orders that are not able to ship for two weeks or more beyond the confirmed ship week will incur a storage fee of \$25.00 per day starting on the first day of the third week.
- Please note that if an order has items from the Standard Collection and the Classic or Luxury Collections, two delivery charges will apply.
- Parts items may be shipped via common carrier and a damage disclaimer may need to be signed. Additional charges may apply.
- When a delivery can't be made due to dealer fault, the order will be returned and re-scheduled for delivery. In these cases, a second delivery charge will apply. Multiple deliveries for additional items needed for the same order will incur an automatic charge of \$200.00.

Delivery Process

- One week prior to the Projected Ship Week found on your finalized order confirmation, we will call the phone number on record to schedule your delivery and give you a time frame for the delivery. Please note that if the delivery is being handled by a third party shipper, we will let you know when it is scheduled to arrive at their warehouse so you can make the necessary arrangements for final delivery.
- On the day of delivery, the driver will call one hour before arrival to let you know his estimated time of arrival.
- When the order arrives at your dock or job site, make note of any visible damage on the driver's delivery form.

Concealed Damages & Missing Product

- The policy of St. Martin Cabinetry requires the customer to check the enclosed packing list for accuracy at the time of delivery in addition to any damages that may have occurred. St. Martin Cabinetry will not take the responsibility for any item missing from your order unless we are notified at the time of delivery. Once the order has been delivered and signed for, the order becomes the responsibility of the customer. We understand that no freight carrier is perfect and that items may get lost or damaged during shipping so it is imperative that you check your order at the time of delivery.
- Immediately report any missing or damaged items to the driver at receipt of the shipment in addition to our customer service team. Claims for damages or missing items must be accompanied by pictures and a fully documented claim form. All claims for replacements or missing items must be made prior to installation of cabinets and decorative hardware. **St. Martin Cabinetry will not accept ANY claims for concealed shipping damages or missing items 15 days after delivery.**

Return/Cancellation Policy

- All products sold must be signed for by the purchaser. In signing this, you as the purchaser take responsibility for payment of the product.
- All of our products are built to order and due to the custom nature of our business we do not accept under ANY circumstances returns, changes or cancellations once an order has been signed off on and confirmed by the dealer.
- St. Martin does not inventory pre-built cabinets so please make sure that confirmed orders are complete and accurate.

Replacement Parts Process

- In the event you have damaged items, please use the following process so any issues can be resolved quickly and efficiently. Our process has been designed to provide insight into problems so they can be addressed by either preventative or corrective actions to eliminate the potential for recurrence.

To process a damaged cabinet/part

- Immediately take pictures of the damaged part and packaging and email them to our customer service department: Sales@StmartinCabinetry.com. If the damage is visible prior to unloading, take pictures of the damage while it is still in the truck. In addition, please fax or email the replacement form which should include the order number, door style, finish and the applicable items needed for replacement. This information is crucial for reimbursement, processing and for the development of future preventative measures.
- Do not use, destroy or discard the damaged product. In the event that St. Martin Cabinetry or the freight carrier wishes to retrieve the damaged product, you will be contacted within one week from the date that the damage was first reported.
- If we are not supplied with photos or the item is not made readily available for pick-up, you will be charged for the replacement.
- We do not accept any claims for hidden or concealed damages after 15 days from the date of delivery. We also do not accept any claims for hidden or concealed damages once our products have been installed.

St. Martin Warranty

Limited Lifetime Warranty

St. Martin warrants to the original purchaser that all cabinets purchased from St. Martin will be free from defects in material and workmanship under normal residential use. This limited warranty is subject to certain limitations and exclusions outlined below. This warranty applies to the original residential cabinet purchaser only and is nontransferable. This limited warranty does not apply to commercial properties, rental properties and any other non-residential properties and is applicable only, or as long as the original purchaser owns their home, within the United States and Canada.

Exclusions

As with all natural materials, wood is affected by environmental factors such as natural and artificial lighting, smoke and age. Darkening or mellowing can be expected and is a natural process for wood as it ages. Each wood species also exhibits its own distinctive grain patterns and characteristics which adds to its natural beauty. These variations in color, grain and other naturally occurring characteristics are not considered imperfections or defects. This warranty does not cover natural aging and darkening of the wood color nor does it apply to the inherent growth characteristics of wood.

- **Finish Variation** - All wood varies in color from piece to piece due to natural variation in tone and grain patterns. While St. Martin takes extra steps in selecting each piece of wood to enhance the natural beauty of our products, we cannot guarantee that every component will exactly match other components. The resultant natural variation in finish is not considered a defect and is not covered by our limited warranty.
- **Pitch Pockets and Mineral Streaks** - In certain species of wood, pitch pockets and mineral streaks are prevalent. This is particularly true of the beautiful Cherry lumber used in producing some St. Martin products. These naturally occurring features of our North American grown Cherry and other lumbers are not considered to be defects and are not covered by our limited warranty.
- **Hairline Cracks** - Environmental factors influence the performance of wood products. All wood absorbs and releases moisture due to its cellular structure. In periods of high humidity, wood will "grow", and during dry periods, wood will "shrink". Over a period of time, the absorption and release of moisture may cause visible hairline cracks typically in joinery of wood components. These minor cracks are not considered defects and are not covered by our limited warranty.
- **Warping** - Warping occurs in wood when the absorption and release of moisture creates "stress" in the wood. In many instances, this condition will resolve itself after the cabinetry in your home goes through a heating and cooling cycle. Warping of components is allowed up to one quarter inch (1/4") and is not considered a defect covered by this limited warranty.
- **Fingerprints** - Fingerprints can occur on wood products, especially darker painted finishes, due to oil and residue left on the human hand. Fingerprints are normal and are sometimes found on products that receive heavy usage or were not installed with hardware on doors, drawers or other accessories. Fingerprints on our finishes and products are expected to occur with normal usage and are not considered a defect covered by this limited warranty.
- **Household Cleaners** - Certain household cleaners and other substances, whether acidic, basic or neutral, may affect the color and integrity of the Product's finish over time. Any such effects on the color and/or integrity of the finish are not covered by this Limited Warranty. Please contact your authorized dealer for care and cleaning instructions.

Limitations of Liability

- This warranty applies only to normal indoor consumer use. Product used for commercial or outdoor use is excluded. Not covered under this warranty are cabinets showing normal wear and tear; cabinets that were not stored or installed properly, improperly assembled or disassembled, intentionally damaged, misused, or exposed to elements; cabinets that have defects due to excessive moisture, accidents or negligence; and cabinets that have been changed or modified in any way.
- This warranty is expressly limited to the repair or replacement of the defective component parts at our discretion. Our liability is expressly limited to the cost of material for the repair or replacement of defective goods. We may elect to repair or replace the product with a product of equal or lesser value and complementary style if the original style is no longer available. Due to the aging process of natural wood, St. Martin Cabinetry can't guarantee an exact match between the finish of the existing product and the replacement product.
- In no event is St. Martin Cabinetry liable for incidental, indirect, or consequential damages resulting from the use of our cabinets. This warranty does not cover the cost of assembly, installation, removal, subsequent damage or transportation of the defective product or replacement.
- When a claim for warpage/joint separation/wood growth is submitted, St. Martin Cabinetry may, at its sole option and after inspection, defer action for 12 months to allow the Product to acclimate to the installed environment.
- Some states do not allow limitations on how long an implied warranty may last or the exclusion and or limitations of incidentals and/or consequential damages. Therefore the above limitations may not apply.
- This warranty shows specific rights that may vary from state to state. Any claims made under this warranty must be presented in writing with a dated sales invoice accompanied by photographs of defective material.
- The remedies put forth above are your sole and exclusive remedies and outline St. Martin's entire liability for any breach of this limited warranty.
- No other implied warranties apply.
- This limited warranty is effective for product manufactured by St. Martin America, Inc. on or after January 1, 2020.

Making a Warranty Claim

Please contact the dealer from whom you purchased the product for warranty assistance. If you are unable to contact your authorized dealer, you may contact our customer care team.

St. Martin America, Inc
87 Schuylkill Street
Cressona, PA 17929
Email:Sales@StmartinCabinetry.com

Wood Characteristics

Wood cabinetry is as unique as a fingerprint; no two pieces are the same. Each piece of lumber and each piece of veneer is truly one of a kind. Soil and climactic conditions affect growth characteristics, presence of mineral streaks, gum spots and knots, and creates striking coloring and grain patterns. These naturally occurring variations give wood it distinct character and exceptional beauty.

St. Martin takes great care in selecting the finest quality kiln-dried hardwoods for your kitchen. Lumber is dried to a 6-8% moisture content to ensure that your cabinetry remains stable in most environments. However, wood, by its very nature, will expand during humid months and contract during the dry season, so humidity levels in your home should be carefully monitored. A 40-50% humidity level should be maintained during installation and throughout the year to maintain the proper moisture content of your cabinets. Extremes (below 20% or above 80%) are likely to cause problems with the natural wood.

The best quality hardwoods have certain characteristics that can't be hidden by the finishing process. These natural variations occur due to the fact that the wood is a natural product, affected by weather, climate, birds, insects, soil makeup, number of sunshine hours per year and natural growth patterns for each individual tree. These characteristics are part of the natural beauty, charm and appeal of real wood and should be carefully considered.

AMERICAN CHERRY has a rich color and smooth, flowing grain patterns. Color varies from light pink to dark brown; variations are more prominent with lighter stains Cherry will darken or mellow with age. This is more noticeable with light stains and usually takes place within the first six months. Sun exposure greatly accelerates this process. Mineral streaks, pitch pockets, pin knots and sap wood all occur naturally in Cherry and are acceptable characteristics.

AMERICAN ALDER has the strength of maple and the personality of pine. The surface of the cabinets have a distressed complexion, giving a rustic look. The wood has a reddish color, with light brown to yellow to peach color hues. Stains can further highlight the beautiful grain. Alder's color, structure, softness, resistance to shrinkage and swelling make it perfect for cabinets.

PAINT GRADE HARDWOODS are used to make painted cabinetry and trim. These woods may include Soft Maple, Birch, Beech or Poplar. Typically these woods machine well and have fine grain characteristics that facilitate smooth and consistent finishes.

WHITE OAK is found primarily in the eastern half of the United States. White Oak is noted for its density and strength and it exhibits prominent strong grain patterns typical of the Oak species. Board color ranges from light to medium tan in the heartwood and lighter brown to pale cream in the sapwood, with occasional lighter gray shading. It is a very durable wood. One interesting characteristic of White Oak is the presence of medullary rays which produce a unique pattern and flecking. White oak logs are sometimes sawn in a special way known as "Rift Cut" which produces lumber and veneers that have very straight grain patterns and reduced presence of rays. Rift cutting increases the value of lumber and veneers which in turn are more typically utilized in producing higher end furniture and cabinetry.

BLACK WALNUT grows primarily in the central and eastern regions of North America. It is highly prized as a species due to its relative scarcity and is considered to be one of the more expensive hardwoods milled in the United States and Canada. Natural Walnut heartwood ranges in color from deeper brown to light brown sapwood is usually lighter brown. The wood is dense and strong with prominent grain patterns. Walnut machines well and accepts stains and finishes nicely. It is considered a premium wood and is used to produce beautiful furniture, cabinetry and millwork.

Effects Of Moisture In Wood

Under normal circumstances, all wood products contain some moisture. Wood is similar to a sponge in that it easily exchanges moisture with the environment. This is true of all wood products, even after they have been finished. Of course, a finish will slow this process, but finished wood still reacts to changes in humidity. When humidity is high, wood will absorb moisture and expand. During times of low humidity, wood will release moisture and contract. Wood will not change size or shape unless its moisture content changes due to humidity. As normal minor variations in humidity occur, the dimensional response of the wood will be imperceptible. To avoid problems, it is recommended that the relative household humidity is maintained in the 40-50% range. Humidity extremes (above 80% or below 20%) are likely to cause problems. Wood products perform best when used in a controlled environment. Problems associated with warping are usually a result of conditions on site storage, installation or use.

Points To Consider

- The density of the wood can affect how much or how little it reacts to changes in humidity. More dense species like Maple will expand or contract more than species like Cherry.
- Effects of moisture may include panel expansion or contraction, joint separation, bowing of the stile or rail and/or expansion/contraction of the stile or rail.
- Wood products located in humid climates are especially susceptible to expansion due to moisture. Product failures due to high moisture conditions are not covered under the St.Martin America warranty. Such locations would include waterfront properties and coastal regions.
- Regardless of location, products installed in non-air conditioned homes are especially susceptible to moisture concerns. Winter and vacation homes should maintain some form of climate control even during the off-season.
- Sometimes doors may swell and bind after installation. Upon activation of the climate control, doors should revert to their original dimension and resume normal operation. For this reason, St Martin America does not recommend trimming or shaving the door edges. Trimmed doors are not covered under the St.Martin America warranty. Also, care should be taken to control humidity even during storage and installation.
- Traditional doors with 5-piece construction (stiles, rails and panels) have been engineered to allow some normal expansion and contraction of the panels.
- St Martin America takes great care in selecting properly kiln dried woods to ensure stability in climate controlled homes. With proper attention to humidity levels (normal fluctuations are expected) your St.Martin America cabinetry will perform reliably and beautifully. Please note that the St.Martin America warranty does not cover product issues related to improper humidity or moisture control.

The St. Martin Finish

The finish you choose for your cabinets will determine the overall atmosphere of your kitchen, and with St. Martin's quality colors, wood species and door styles, you are sure to find a combination that is perfect for you. You can choose from light colored painted finishes, mid-tones, or classic dark stained finishes.

Light and mid-tone finishes accentuate the natural beauty of wood while that darker stains tend to result in a more formal rich and elegant look.

Whichever finish you choose, the quality and attention to detail that St. Martin puts into each door will be a source of comfort for years and years to come.

STAINED FINISH Doors and drawer fronts are carefully sanded to produce an exceptional surface that is ready to finish. A transparent stain is sprayed over the surface of the wood and allowed to penetrate and develop the grain. A protective, catalyzed sealer, chosen for its excellent adhesion moisture resistance and sealing qualities, is then applied and oven baked for durability. The surface is then fine-sanded by hand to develop a glass smooth surface for the topcoat. A tough, catalyzed conversion varnish topcoat is applied with airless spray and then oven-baked. This catalyzed conversion varnish finish and oven-curing system was chosen to provide an exceptional beautiful luster that is resistant to moisture and most household chemicals. This final process seals and protects your cabinetry from scratches dents and chips and provides a beautiful, smooth and durable finish.

PAINTED FINISH St. Martin painted doors are hand sprayed and oven baked, layer upon layer, and hand sanded between coats to build up a hard and lustrous finish. Our painted doors are then top coated with a catalyzed conversion varnish that is very durable and protects the surface and allows for easy cleaning.

Painted doors may develop hairline cracks at the joints due to moisture gain and loss causing expansion and contraction. This is considered a normal occurrence and is not viewed as a defect.

Heirloom Finish-GLAZED FINISH We utilize several processes to create our beautiful glaze finish cabinetry. The first step is to apply the color which is done in several coats to ensure an even distribution. Next, the glaze is applied and each door is hand wiped to create highlights in the corners and seams. After sealing and fine detail sanding, we apply a catalyzed conversion topcoat to protect the finish. The result is a finish that is both durable as well as beautiful. As is the case with most handmade products, no two will look exactly alike. Please refer to current sample. (Weathered Cherry, Washed Desert Grey, Pewter, Gray Stone, Gray Oak)

Heirloom Finish-ANTIQUED FINISH Antiquing special effects create a mildly aged appeal by lightly distressing the wood with dents and sanding over profiles before finishing, as seen in our Antique Black Finish, or lightly distressing the wood as seen in our ACG Finish. Antiquing is an artistic application; the overall appeal is derived from the random application of effects. Just as no two doors on an antique piece of furniture age the same, no two doors with the same Antiquing finish on your cabinetry will be identical. Please refer to our current sample. (Alder Cognac, Antique Black)

Melamine Interiors

St. Martin uses all zero emission (E0) CARB compliant products for the highest level of customer safety. Our melamine interiors are hard, durable and washable to keep your environment clean and chemical free.

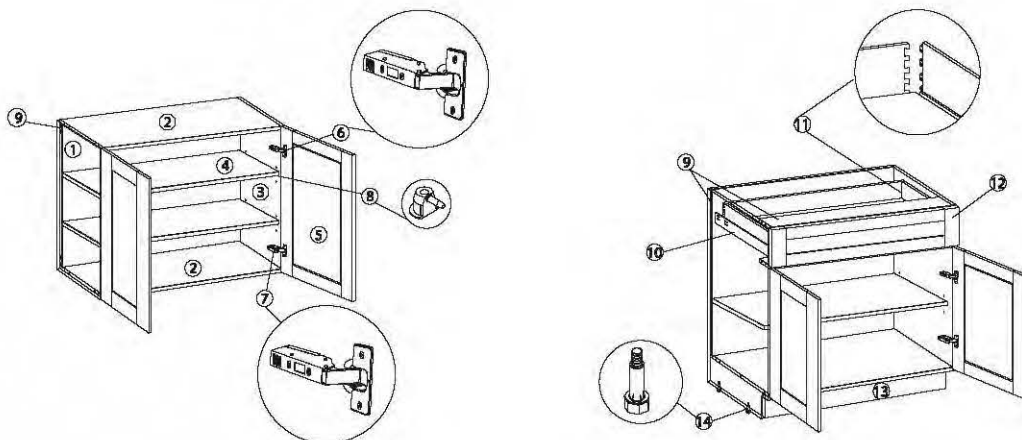
Cabinet Care and Cleaning Guide

Your St. Martin Cabinetry has an exceptional multi-step finish and is as durable as it is beautiful! Our catalyzed conversion topcoat creates a surface that protects your cabinetry and under normal conditions requires very little maintenance. Follow these steps on basic care and you will enjoy your St. Martin Cabinetry for many years to come:

- 1) After installation is complete, wipe all cabinets with a damp and clean soft cloth. Dry immediately with another soft and clean cloth.
- 2) Regular cleaning requires using only a damp cloth and then drying. For tougher areas that have been affected by dirt, grease oil or other contaminants, we recommend using a damp cloth in combination with a fresh solution of mild soap. Immediately rinse with a clean and damp cloth and then dry thoroughly.
- 3) **Warning:** Excess moisture, which is especially prevalent near the sink, dishwasher, oven and baseboard areas, should be removed and dried immediately as it may cause warpage or other defects on your cabinetry.
- 4) Avoid using abrasive cleaners, waxes, detergents, strong soaps and basic or acidic chemicals on or near your products as they may have a deteriorating effect on the finished surface.
- 5) Avoid using a rag or dishcloth on any finished surfaces as it may contain contaminants or grease.
- 6) For minor nicks, abrasions, scuffs and scratches, we recommend using our factory supplied touch up kit.

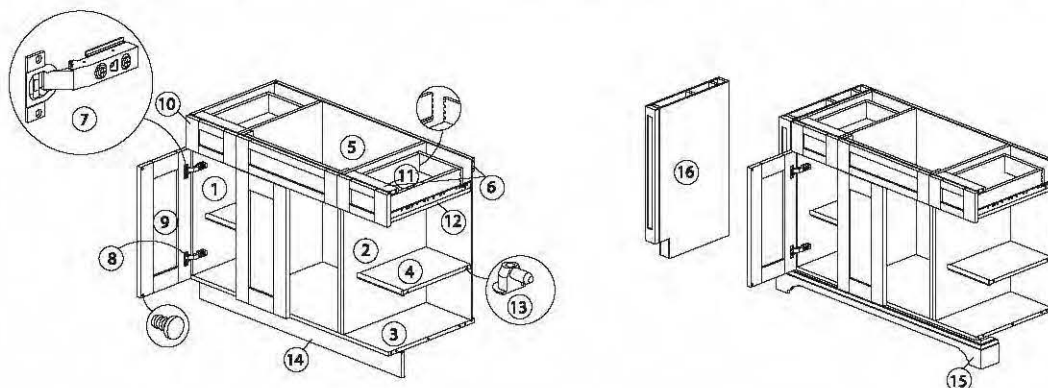
Kitchen Cabinet Construction Details

- 1 **Cabinet Back:** The cabinet back is 1/4" plywood with a durable wood grain washable melamine interior and is recessed 3/4" from the back of the cabinet.
- 2 **Cabinet Floor and Ceiling:** The cabinet floor and ceiling are 3/4" plywood with a durable wood-grain washable.
- 3 **Cabinet Sides:** Cabinets are 3/4" thick plywood with a durable wood-grain washable melamine interior Sides are dadoed to accept the back panel for added rigidity.
- 4 **Cabinet Shelves:** Shelves are 3/4" thick plywood coated with a durable wood-grain washable melamine veneer and are edge-banded on three sides to match and a solid wood nosing.
- 5 **Doors:** 7/8" solid wood in the style and color of your choice. All painted doors will feature HDF (High Density Fiberboard) center panels.
- 6 **Hinges:** Six-way adjustable clip hinges are used easing removal of the doors for installation and providing a great range of adjustment.
- 7 **Hinges:** Our hinged cabinets also feature soft close hinges standard. (Soft close hinges are not available for diagonal wall cabinets).
- 8 **Shelf Supports:** Metal shelf clips are inserted into the sides of the cabinets and feature a locking mechanism with our plywood shelves.
- 9 **I-beam Reinforced Construction:** Cabinets are built with a reinforced I-beam construction to offer outstanding strength and stability for the cabinet.
- 10 **Drawer Slides:** The St. Martin drawer slide is a concealed, undermount, full-extension slide with a 70 lb. capacity. This slide is of durable steel construction with a smooth gliding roller system and self-closing feature. Self-adjusting mounting brackets center the drawer for consistent operation. Our drawer slides also feature height adjustment tabs that allow for fine tuning the spacing of the drawer front.
- 11 **Drawer Box:** A St. Martin drawer box is made from 3/4" solid maple and is dovetailed at each corner. The drawer bottom is dadoed into the drawer sides and it is fully captured. The whole drawer box gets a lear UV finish.
- 12 **Drawer Front:** 7/8" solid wood in the style and color of your choice. All painted doors will feature HDF (High Density Fiberboard) center panels.
- 13 **Cabinet Toe Kick:** 4-1/2" high toe space. A 3/4" thick plywood cover panel is available to match the finish of your cabinetry.
- 14 **Leveling Feet:** Metal legs can be height adjusted to make leveling your base cabinets fast and easy.



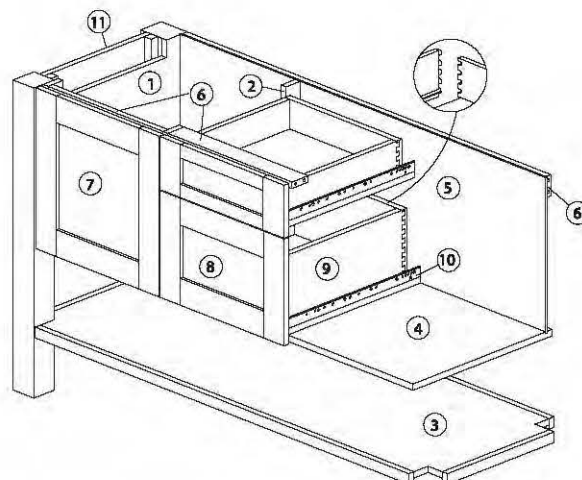
Vanity Cabinet Construction Details

- 1 **Cabinet Sides:** Cabinets sides are 3/4" thick plywood coated with a durable wood-grain washable melamin interior and finished melamine exterior Sides are dadoed to accept the back panel for added rigidity.
- 2 **Cabinets Interior Partitions Sides:** Cabinets interior partitions sides are 3/4" thick plywood coated with a durable wood-grain washable melamine interior.
- 3 **Cabinet Floor:** The cabinet floor is 3/4" wood with a durable wood-grain washable melamine interior. The cabinet is held together with dowels to ensure a sturdy, long lasting cabinet.
- 4 **Cabinet Shelves:** Shelves are 3/4" thick plywood coated with a durable wood-grain washable melamine veneer and are edge-banded on three sides to match and one solid wood in front.
- 5 **Cabinet Back:** The cabinet back is 1/4" plywood with a durable wood grain washable melamine interior and is recessed 3/4" from the back of the cabinet.
- 6 **I-beam Reinforced Construction:** Cabinets are built with a reinforced i-beam construction to offer outstanding strength and stability for the cabinet.
- 7 **Hinges:** Six-way adjustable clip hinges are used easing removal of the doors for installation and providing a great range of adjustment.
- 8 **Hinges:** Our hinged cabinets also feature soft close hinges standard.
- 9 **Wood Doors:** 7/8" solid wood in the style and color of your choice.
- 10 **Matching Drawer Fronts:** 7/8" solid wood in the style and color of our choice.
- 11 **Drawer Box:** A drawer box is made from 3/4" solid maple and is dovetailed at each corner. The drawer bottom is added into the drawer sides and it is fully captured. The whole drawer box gets a clear UV finish.
- 12 **Drawer Slides:** The St Martin drawer slide is a concealed, undermount, full-extension slide with a 70 lb. capacity. This slide is of durable steel construction with a smooth gliding roller system and self-closing feature. Self-adjusting mounting brackets center the drawer for consistent operation. Our drawer slides also feature height adjustment tabs that allow for fine tuning the spacing of the drawer front.
- 13 **Shelf Supports:** Metal shelf clips are inserted into the sides of the cabinets and feature a locking mechanism with our plywood shelves.
- 14 **Matching Toe Kick:** 4 1/2" high toe space. A 3/4" thick plywood cover panel is available to match the finish of your cabinetry.
- 15 **Furniture Style Toe Kick:** 7/8" thick solid wood in the style and color of your choice.
- 16 **End Panel Box:** 3/4" thick plywood as box sides and solid wood on front in the style and color of your choice.



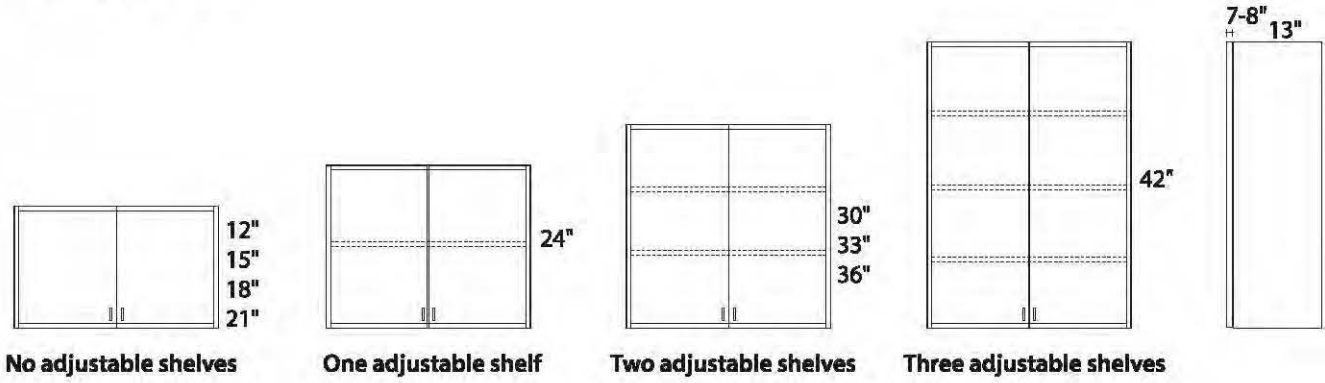
Vanity Cabinet Construction Details-Furniture Style (Stockholm Series)

- 1 **Cabinet Sides:** Cabinets sides are 3/4" thick plywood coated with a durable wood-grain washable melamine interior. Sides are dadoed to accept the back panel for added rigidity.
- 2 **Cabinets Interior Partitions Sides:** Cabinets Interior Partitions sides are 3/4" thick plywood coated with a durable wood-grain washable melamine interior.
- 3 **Cabinet Leg Connected Bottom Panel:** The leg connected bottom panel is 3/4" plywood with solid wood in front.
- 4 **Cabinet Floor:** The cabinet floor is 3/4" thick plywood with a durable wood-grain washable melamine interior. The cabinet is held together with dowels to ensure a sturdy, long lasting cabinet.
- 5 **Cabinet Back:** The cabinet back is 1/4" thick plywood with a durable wood grain washable melamine interior and is recessed 3/4" from the back of the cabinet.
- 6 **I-beam Reinforced Construction:** Cabinets are built with a reinforced i-beam construction to offer outstanding strength and stability for the cabinet.
- 7 **Wood Doors:** 7/8" solid wood in the style and color of your choice.
- 8 **Matching Drawer Fronts:** 7/8" solid wood in the style and color of your choice.
- 9 **Drawer Box:** A drawer box is made from 3/4" solid maple and is dovetailed at each corner. The drawer bottom is dadoed into the drawer sides and it is fully captured. The whole drawer box gets a clear UV finish.
- 10 **Drawer Slides:** The St Martin drawer slide is a concealed, undermount, full-extension slide with a 70 lb. capacity. This slide is of durable steel construction with a smooth gliding roller system and self-closing feature. Self-adjusting mounting brackets center the drawer for consistent operation. Our drawer slides also feature height adjustment tabs that allow for fine tuning the spacing of the drawer front.
- 11 **Cabinet Leg:** Cabinet leg is 3" * 3" solid wood and connected with 3/4" thick plywood coated with finished veneer exterior.

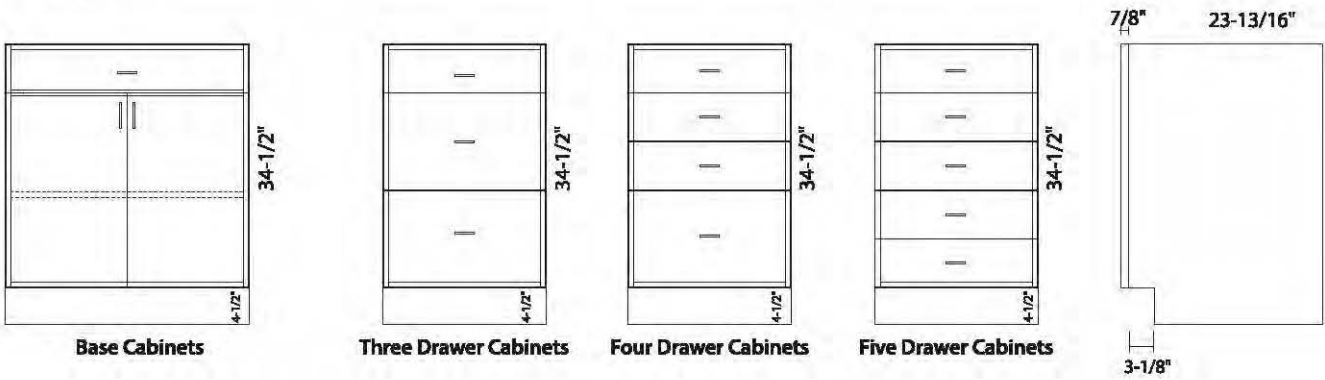


Cabinet Runs

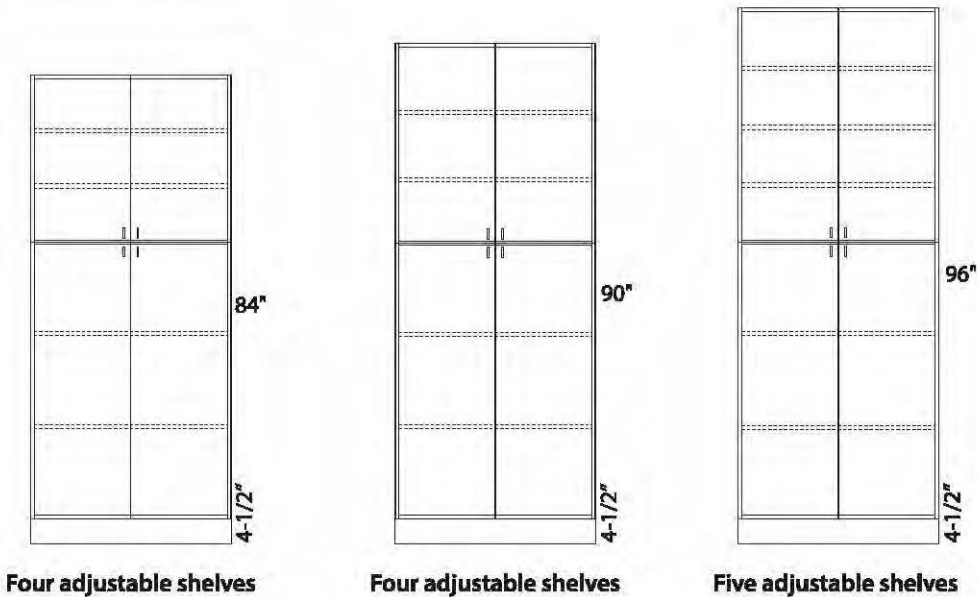
WALL CABINETS



BASE CABINETS



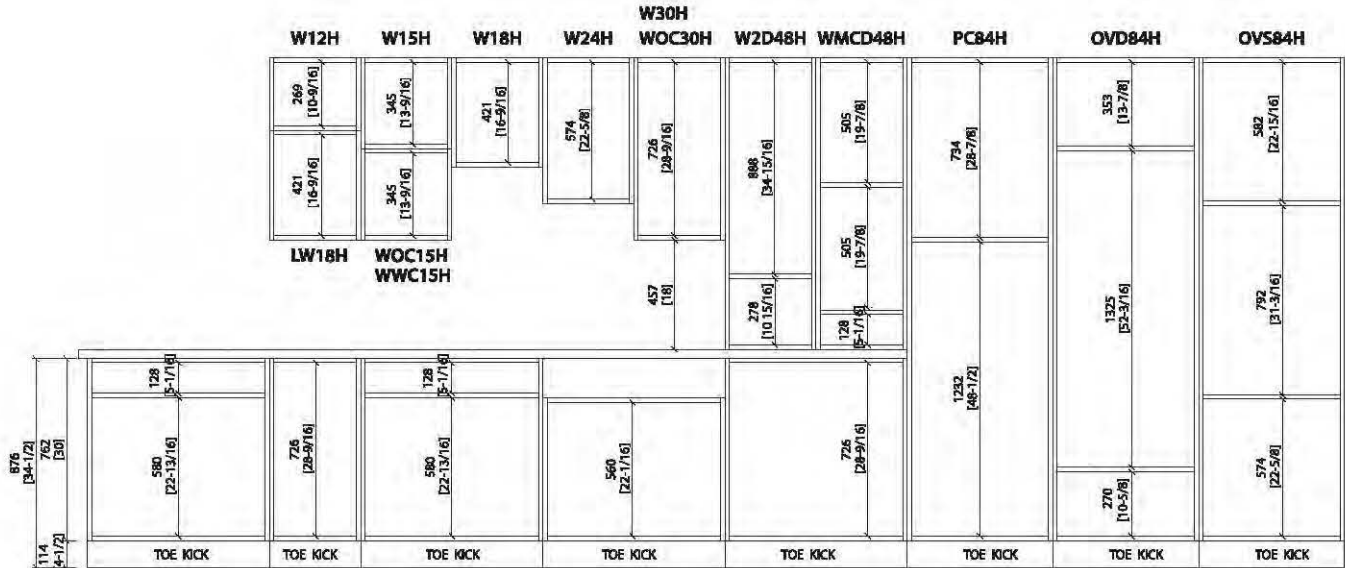
PANTRY CABINETS



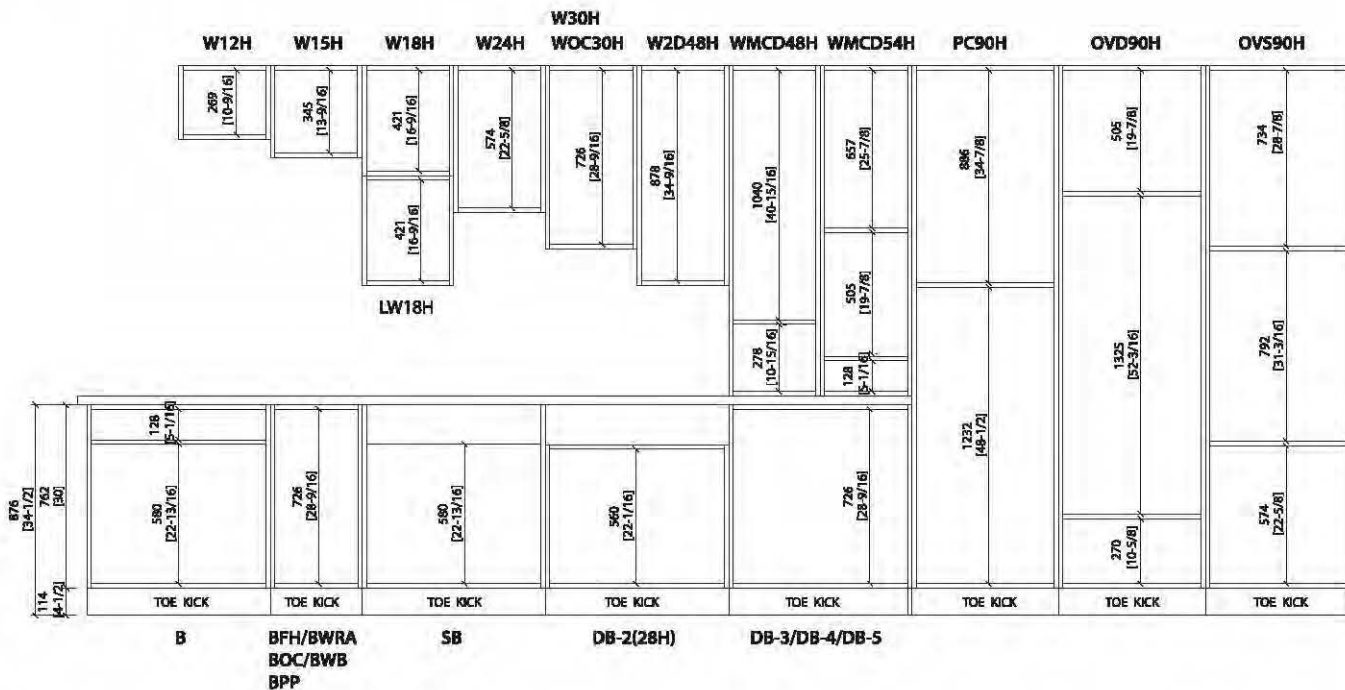
5

Product Specifications

84" Height Application



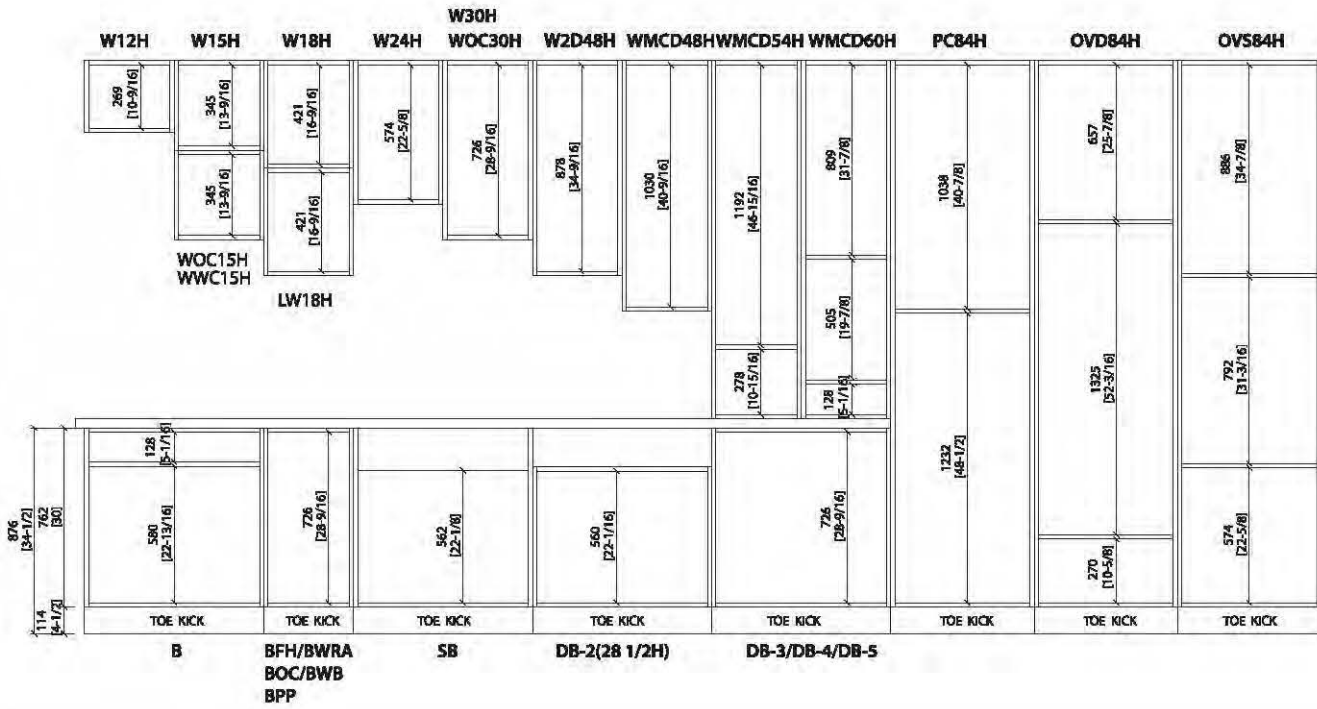
90" Height Application



96" Height Application

5

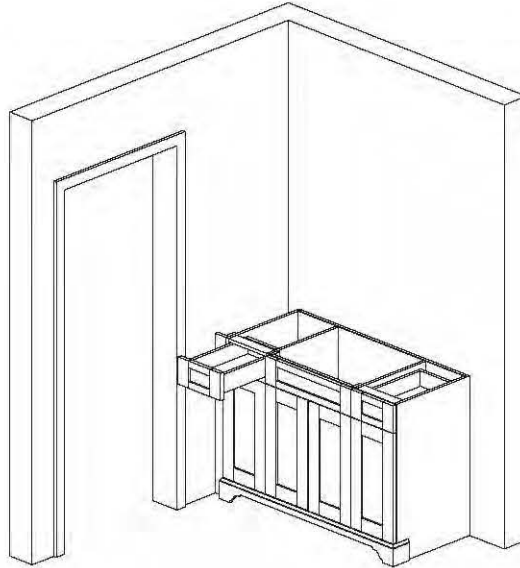
Product Specifications



Vanity Installation Specifications

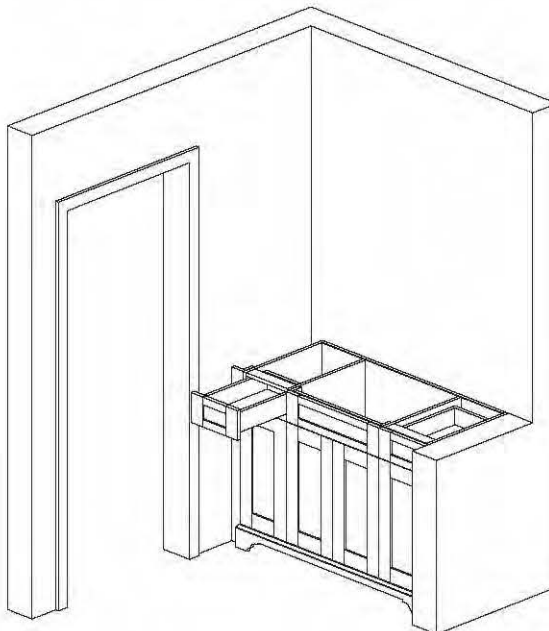
1. One Side against the Wall

If one side of your vanity or linen cabinet is to be installed against the wall, a 3/4" filler must be ordered to space the cabinets away from that wall. This will ensure that proper clearances are achieved



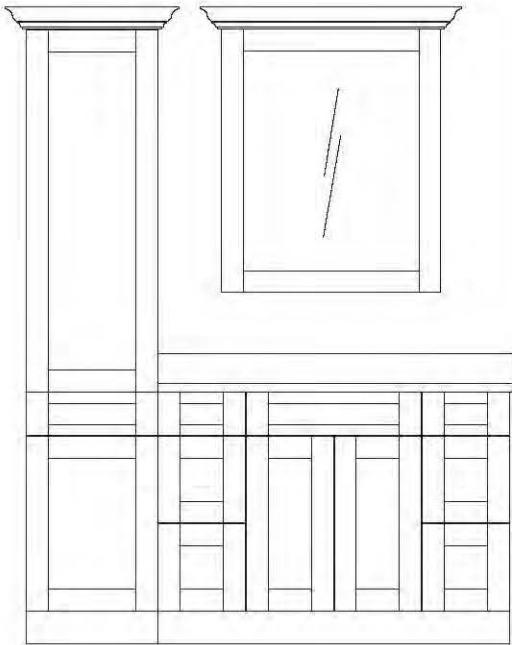
2. Both Sides against the Wall

When installing a standard vanity cabinet between two walls, fillers must be added to both sides to ensure proper clearance.

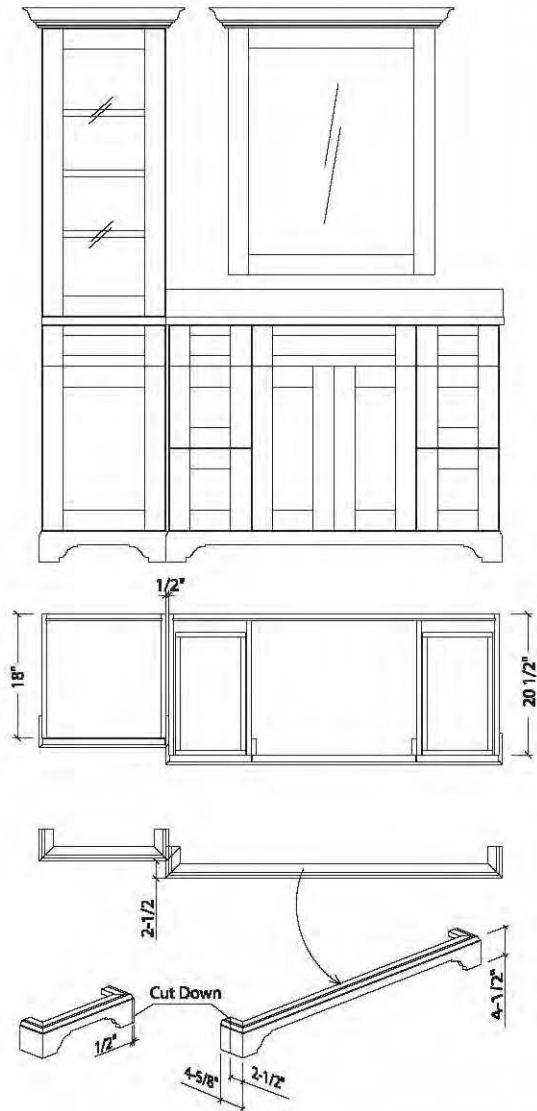


3. How to Install the Linen Cabinet

a. Linen Cabinets of 21" depth are compatible for installation with 21" deep Standard Series vanities as illustrated below.



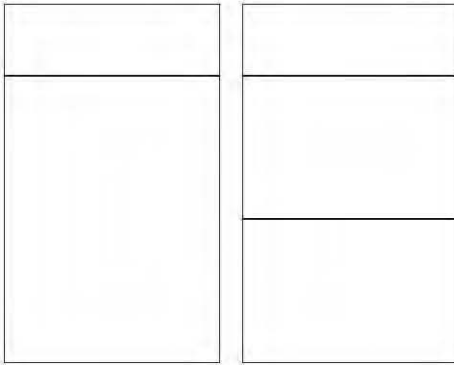
b. When installing a linen cabinet next to a Vanity cabinet with Vanity Toe Kick A or B you must utilize an 18" deep linen cabinet and trim the short toe kick return to 2-1/2". See drawing below and call if you need further instruction 21" deep linen cabinets will not work for this type of installation.



5
Product Specifications



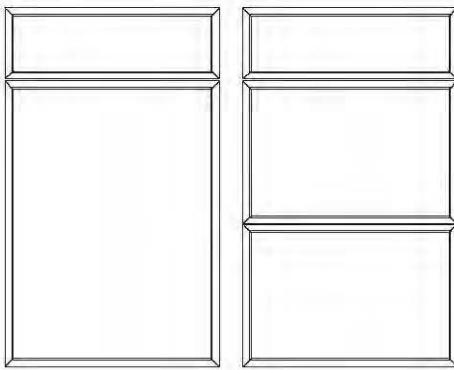
Clayton



- Stained doors and drawer fronts feature hardwood veneer over an HDF core.
- Painted doors and drawer front feature HDF core
- **Door Profile**



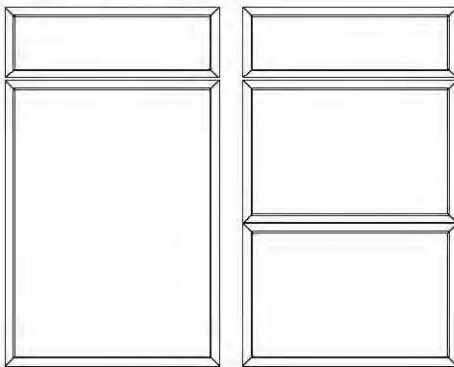
Hampton



- Stained doors and drawer fronts feature hardwood veneer over a plywood core with matching hardwood frames.
- Painted doors and drawer front feature HDF core.
- **Door Profile**



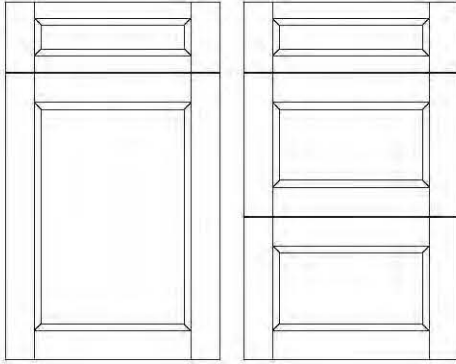
Hampton Square



- Stained doors and drawer fronts feature hardwood veneer over a plywood core with matching hardwood frames.
- Painted doors and drawer front feature HDF core.
- **Door Profile**



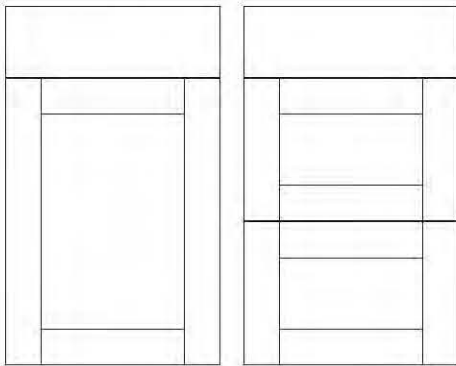
Bellrose



- Solid wood door frame with mortise and tenon assembly. Center panel is plywood core.
- Drawer front styling varies depending on drawer height.
- Painted doors and drawer fronts feature HDF center panels.
- **Door Profile**



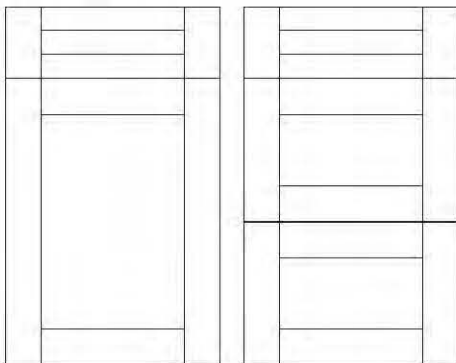
Lakeland



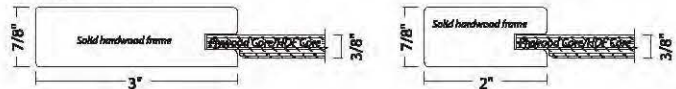
- Solid wood door frame with mortise and tenon assembly. Center panel is plywood core.
- Upper drawer fronts feature solid slab construction. Lower drawer fronts feature five piece mortise and tenon construction with a hardwood plywood core center panel.
- Painted doors and drawer fronts feature HDF center panels.
- **Door Profile**



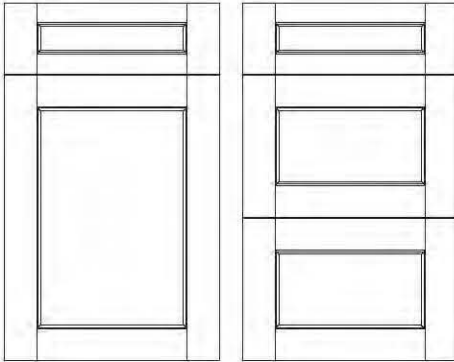
Lakeland-II



- Solid wood doors frame with mortise and tenon assembly. Center panel is plywood core.
- Drawer fronts feature five piece mortise and tenon construction with a hardwood plywood core center panel.
- Painted doors and drawer fronts feature HDF center panels.
- **Door Profile**



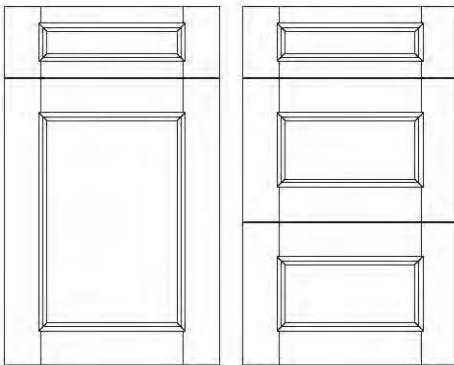
Greenfield



- Solid wood door frame with mortise and tenon assembly. Center panel is plywood core.
- Drawer fronts feature five pieces mortise and tenon construction with a hardwood plywood core center panel.
- Painted doors and drawer fronts feature HDF center panels.
- **Door Profile**



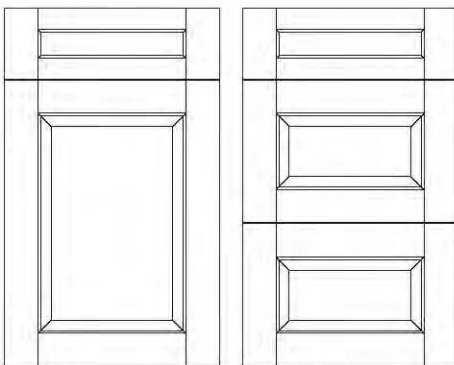
Ridgewood



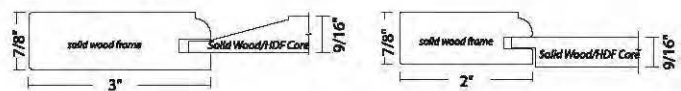
- Solid wood door frame with mortise and tenon assembly. Center panel is plywood core.
- Drawer fronts feature five pieces mortise and tenon construction with a hardwood plywood core center panel.
- Painted doors and drawer fronts feature HDF center panels.
- **Door Profile**



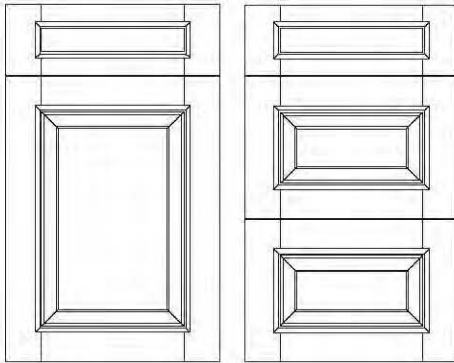
Newhaven



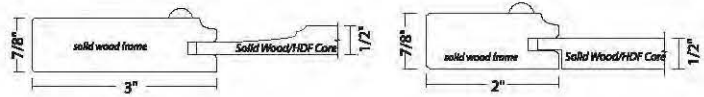
- Solid wood door frame with mortise and tenon assembly. Center panel is Solid wood.
- Drawer fronts feature five pieces mortise and tenon construction solid hardwood or hardwood plywood (top drawer) center panel.
- Painted doors and drawer fronts feature HDF center panels.
- **Door Profile**



Wellington



- Solid wood door frame with mortise and tenon assembly, center panel is solid wood.
- Drawer fronts feature five pieces mortise and tenon construction with a solid hardwood or hardwood plywood (top drawer) center panel.
- Painted doors and drawer fronts feature HDF center panels.
- **Door Profile**



St.Martin

C A B I N E T R Y

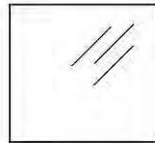
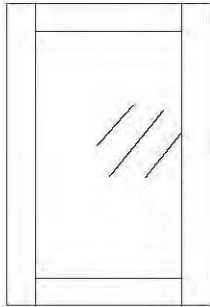
Modifications

- Please note: when your order includes one of these modifications, lead times may be extended. While we will make an effort to maintain our prices and availability, they are subject to change without notice. If you have any questions, please call our customer service department.
- The fee listed next to each modification is in addition to the cabinet price.

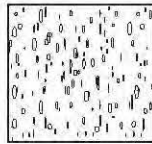
87 Schuylkill Street, Cressona, PA, 17929

Tel: 570-593-8596 Fax: 570-593-8066 / www.StmartinCabinetry.com

GLASS DOOR OPTIONS - PREPARE FOR GLASS DOOR (PG)



Clear



Antique

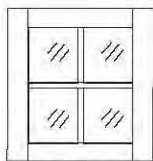
ITEM

PG \$180/PER

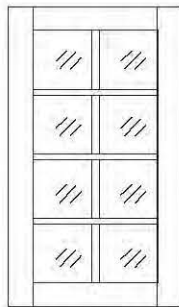
- Center panel will be routed out of the standard door and a glass insert will be installed. Clayton, Hampton and Hampton Square will be cut to a frame size of 3".
- If you would like a finished interior for your glass cabinets, please make sure to use the Finished Interior modification below.
- Price for Clear or Antique Glass is included.
- Fee listed is in addition to the price of the cabinet.

7
Modifications

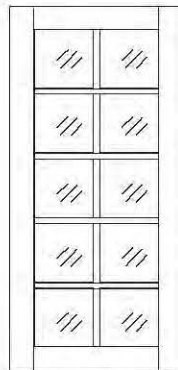
GLASS DOOR OPTIONS - MULLION GLASS DOOR (MGD)



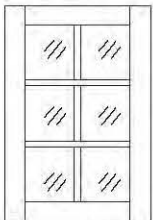
12-24 H



42 H



48 H



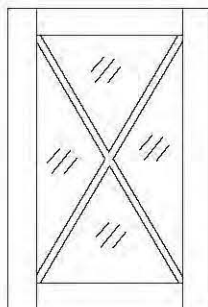
30-36 H

ITEM

MGD \$360/PER

- Mullions are available for all door styles and the profile will match the profile of the door selected.
- The minimum size of a mullion glass door is 12"x12" and the mullion profile is 3/4".
- If a MGD is used, you do not need to use the PG modification.
- Price for Clear or Antique Glass is included.
- Fee listed is in addition to the price of the cabinet.

GLASS DOOR OPTIONS - DIAGONAL MULLION GLASS DOOR (DMGD)



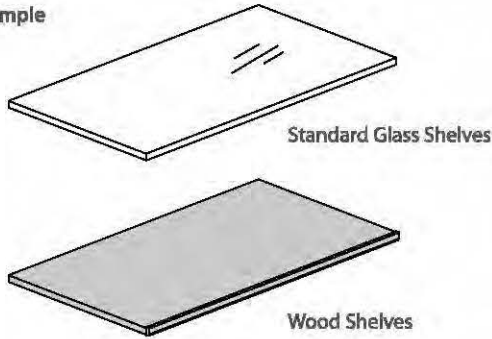
ITEM

DMGD \$420/PER

- Mullions are available for all door styles and the profile will match the profile of the door selected.
- The minimum size of a mullion glass door is 12"x12" and the mullion profile is 3/4".
- If a DMGD is used, you do not need to use the PG modification.
- Fee listed is in addition to the price of the cabinet.

GLASS DOOR OPTIONS - SHELF (S-G/S-W)

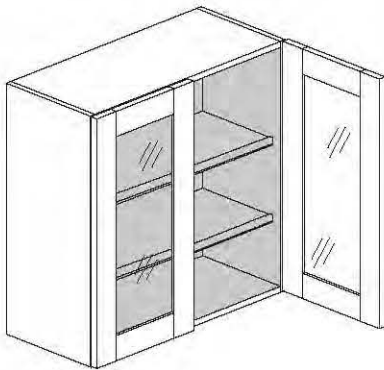
Example



ITEM		
S-G	\$100	
S-W	\$100	

- Glass shelves (S-G) are 5/16", have polished edges and are made from tempered glass.
- Wood shelves are 3/4", edge-banded on all four sides and feature a furniture edge.

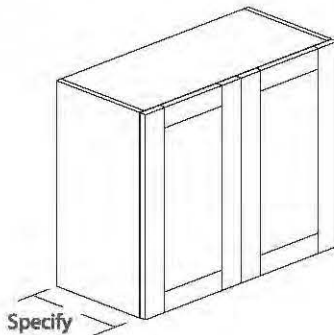
GLASS DOOR OPTIONS - FINISH INTERIOR (FI)



ITEM	WALL	BASE	TALL
WFI	\$300		
BFI		N/A	
TFI			N/A

- Cabinets may receive a matching finished interior. All interior surfaces will be finished to match. Shelves will be matching 3/4" melamine with matching edge banding.
- Finished interiors come standard with finished sides and bottom.
- Fee listed is in the addition to the price of the cabinet.

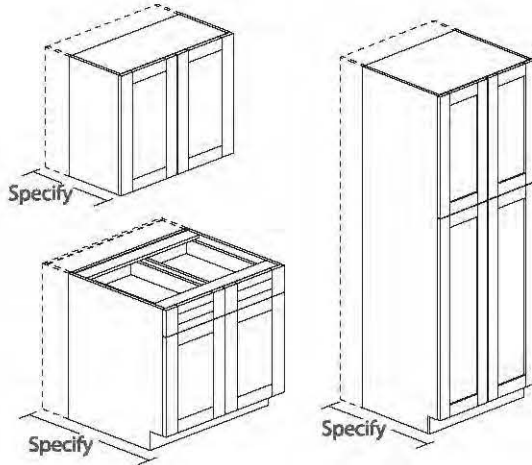
INCREASED DEPTH (ID)



ITEM	WALL	BASE	TALL
WID	\$445		
BID		N/A	
TID			N/A

- Increases can be made in 1/4" increments only.
- Maximum depth is 23 13/16" for wall cabinets up to 30" H, 18" D for wall cabinets up to 48" H and 24" W and 15" D for wall cabinets up to 48" H and 39" W.
- Fee listed is in addition to the price of the cabinet.

DECREASED DEPTH (DD)



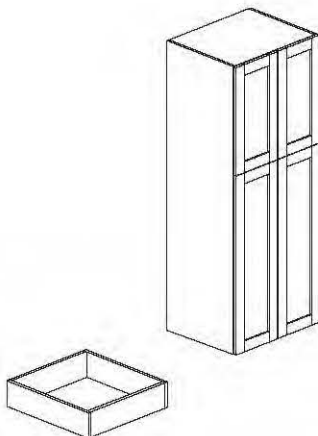
ITEM	WALL	BASE	TALL
WDD	\$300		
BDD		\$400	
TDD			\$500

- Cabinets without drawers can be reduced to a minimum depth of 6".
- Cabinets with drawers can only be decreased up to 11.5", 15.5", 19.5" and 21.5". Depths correspond to available drawer slide and box depth. (See following chart)
- Fee listed is in addition to the price of the cabinet.

Cabinets with drawers:

Standard Cab. Depth	Custom Cab. Depth	Standard Drawer Box Depth	Slide Depth
24"	24"- 21.5"	20"	20"
21"	21"- 19.5"	18"	18"
18"	18"- 21.5"	14"	14"
13"	13"- 11.5"	10"	10"

LOOSE TOE KICK PLATFORM (TKP)

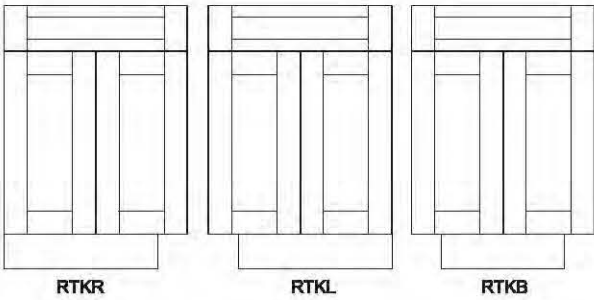


ITEM	WALL	BASE	TALL
WTKP	N/A		
BTKP		\$300	
TTKP			\$300

- May be necessary for tall cabinet installations. The loose toe kick platform reduces the overall cabinet height allowing the cabinet to clear the ceiling and be set up right.
- For base cabinets, may be used to reduce height to clear doorways smaller than 31".
- Fee listed is in addition to the price of the cabinet.

7
Modifications

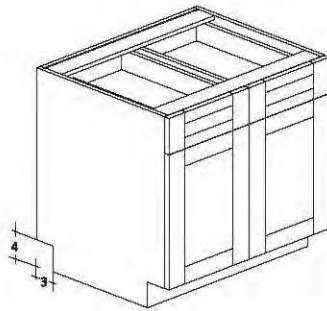
RECESSED TOE KICK (RTK)



ITEM	WALL	BASE	TALL
WRTK (L/R/B)	N/A		
BRTK (L/R/B)		\$250	
TRKP (L/R/B)			\$250

- Available on the left (L) or right (R) side
- Base, office, tall and vanity cabinets can be ordered with recessed toe kick
- Must specify end(s) to receive toe kick
- Fee listed is in addition to the price of the cabinet

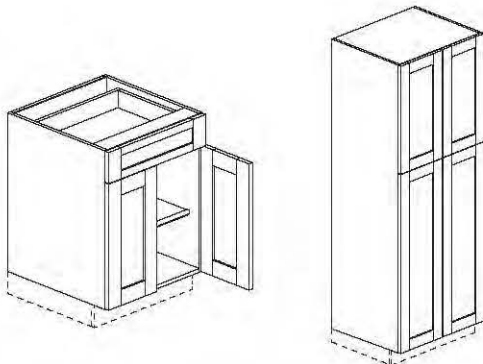
RECESSED TOE KICK BACK (RTKKB)



ITEM	WALL	BASE	TALL
WRTKKB	N/A		
BRTKKB		\$300	
TRKPBK			\$300

- Toe kick will be recessed standard 3"
- Toe kick does not include a finished back
- For corner cabinet, specify if leftback or rightback
- Fee listed is in addition to the price of the cabinet

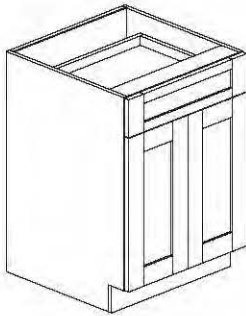
VOID TOE KICK (VTK)



ITEM	WALL	BASE	TALL
WVTK	N/A		
BVTK		\$250	
TVTK			\$250

- Base, office, tall and vanity cabinets can be ordered without a toe kick.
- Fee listed is in addition to the price of the cabinet.

SCOOP TOP DRAWER (STD)

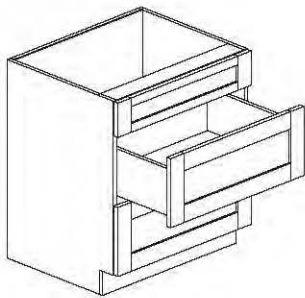


ITEM	WALL	BASE	TALL
WSTD	N/A		
BSTD		\$100	
TSTD			\$100

- Reduced 4" height drawer box for top drawer of base cabinet only.
- 4" high drawer box can be reduced to 2-3/16"
- Fee listed is in addition to the price of the cabinet.

7
Modifications

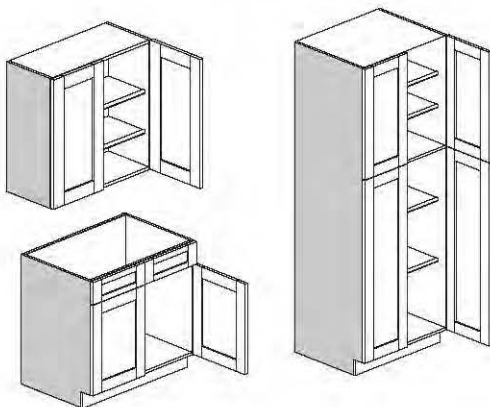
VOID TOP DRAWER BOX (VTD)



ITEM	WALL	BASE	TALL
WVTD	N/A		
BVTD		\$100	
TVTD			\$100

- Removes top drawer box and runner system on multi-drawer stacks.
- Drawer fronts will be attached as a false front.
- Fee listed is in addition to the price of the cabinet.

**FINISHED END / ENDS (FE)
RIGHT / LEFT / BOTH**



ITEM	WALL	BASE	TALL
WFE (L/R)	\$115		
WFE B	\$230		
BFE (L/R)		\$125	
BFE B		\$250	
TFE (L/R)			\$225
TFE B			\$450

- Base, tall and wall cabinets can receive matching finished plywood for specific ends.
- Available in all finishes.
- Fee listed is in addition to the price of the cabinet.

St.Martin

C A B I N E T R Y

Wall Cabinets

READING THE CODE

W (wall)30 (width)12 (height)24 (depth)

- Standard wall cabinet depth is 13" deep unless stated otherwise.

For total depth, add 15/16" which includes the door and bumper thickness.

- You must specify how you would like us to finish your exposed ends.

We offer two solutions to finish exposed ends: veneer finished ends that are factory applied and decorative end panels. Common panels used are wall end panels and matching wall end panels which must be ordered separately and are applied by the installer in the field.

Wall veneered finished ends cost \$115.00 list each.

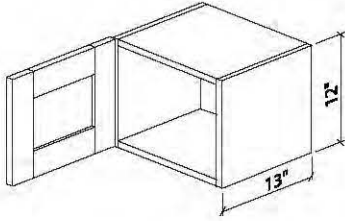
Example: If your wall cabinet requires both ends finished, add \$230.00 list to you order.

See our "Fillers and Panels" section for details.

87 Schuylkill Street, Cressona, PA, 17929

Tel: 570-593-8596 Fax: 570-593-8066 / www.StmartinCabinetry.com

**WALL SINGLE DOOR,
13" DEEP 12" TALL**



ITEM	G1	G2	G3	G4	G5	G6	G7
W1212L/R**	\$457	\$503	\$548	\$553	\$609	\$670	\$736
W1512L/R**	\$469	\$516	\$563	\$568	\$625	\$687	\$756
W1812L/R**	\$481	\$529	\$577	\$582	\$641	\$705	\$775
W2112L/R**	\$493	\$543	\$592	\$597	\$657	\$722	\$794

- Modification Options.

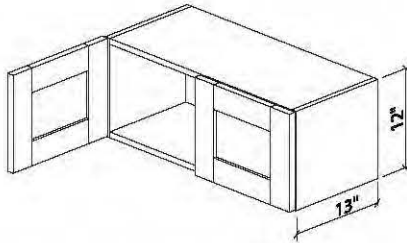
PG	MGD	DMGD	FI	ID	DD	FE
----	-----	------	----	----	----	----

- See Modification section for details.

- No shelf.

WIDTHS: 12-15-18-21

**WALL DOUBLE DOOR,
13" DEEP 12" TALL**



ITEM	G1	G2	G3	G4	G5	G6	G7
W2412**	\$625	\$687	\$750	\$756	\$832	\$915	\$1,006
W2712**	\$631	\$694	\$757	\$763	\$840	\$924	\$1,016
W3012	\$637	\$701	\$764	\$771	\$848	\$932	\$1,026
W3312	\$650	\$715	\$780	\$786	\$865	\$952	\$1,047
W3612	\$663	\$729	\$796	\$802	\$882	\$971	\$1,068

- Modification Options.

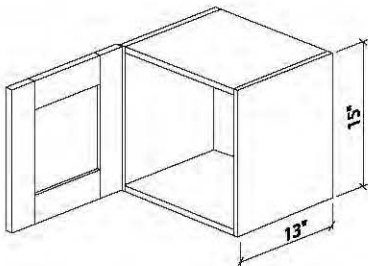
PG	MGD	DMGD	FI	ID	DD	FE
----	-----	------	----	----	----	----

- See Modification section for details.

- No shelf.

WIDTHS: 24-27-30-33-36

**WALL SINGLE DOOR,
13" DEEP 15" TALL**



ITEM	G1	G2	G3	G4	G5	G6	G7
W1215L/R**	\$477	\$525	\$572	\$577	\$635	\$698	\$768
W1515L/R**	\$492	\$541	\$590	\$595	\$655	\$720	\$792
W1815L/R**	\$507	\$558	\$608	\$613	\$675	\$742	\$816
W2115L/R**	\$522	\$574	\$626	\$632	\$695	\$764	\$841

- Modification Options.

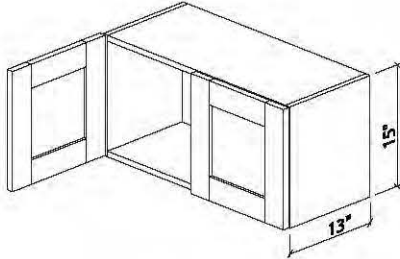
PG	MGD	DMGD	FI	ID	DD	FE
----	-----	------	----	----	----	----

- See Modification section for details.

- No shelf.

WIDTHS: 12-15-18-21

**WALL DOUBLE DOOR,
13" DEEP 15" TALL**



WIDTHS: 24-27-30-33-36

ITEM	G1	G2	G3	G4	G5	G6	G7
W2415**	\$645	\$709	\$774	\$780	\$858	\$944	\$1,038
W2715**	\$652	\$717	\$782	\$789	\$868	\$955	\$1,050
W3015	\$660	\$725	\$792	\$798	\$878	\$966	\$1,062
W3315	\$674	\$742	\$809	\$816	\$898	\$987	\$1,086
W3615	\$689	\$758	\$827	\$834	\$917	\$1,009	\$1,110

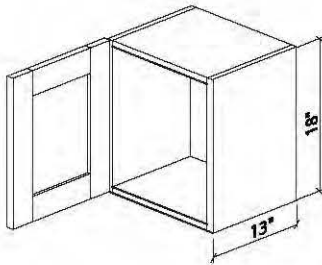
- Modification Options.

PG MGD DMGD FI ID DD FE

- See Modification section for details.

- No shelf.

**WALL SINGLE DOOR,
13" DEEP 18" TALL**



WIDTHS: 12-15-18-21

ITEM	G1	G2	G3	G4	G5	G6	G7
W1218L/R**	\$497	\$547	\$596	\$601	\$661	\$728	\$800
W1518L/R**	\$515	\$566	\$618	\$623	\$685	\$754	\$829
W1818L/R**	\$533	\$586	\$640	\$645	\$709	\$780	\$858
W2118L/R**	\$551	\$606	\$661	\$667	\$733	\$807	\$887

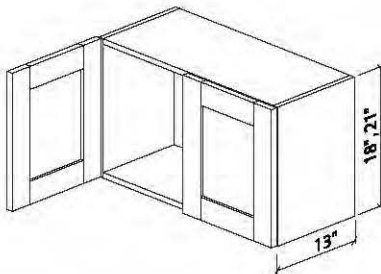
- Modification Options.

PG MGD DMGD FI ID DD FE

- See Modification section for details.

- No shelf.

**WALL DOUBLE DOOR,
13" DEEP 18", 21" TALL**



WIDTHS: 24-27-30-33-36

ITEM	G1	G2	G3	G4	G5	G6	G7
W2418**	\$665	\$731	\$798	\$804	\$884	\$973	\$1,070
W2718**	\$674	\$741	\$809	\$815	\$896	\$986	\$1,085
W3018	\$682	\$751	\$818	\$826	\$908	\$999	\$1,099
W3318	\$699	\$769	\$839	\$846	\$931	\$1,024	\$1,126
W3618	\$716	\$787	\$859	\$866	\$953	\$1,048	\$1,153
W3021**	\$738	\$812	\$886	\$893	\$982	\$1,080	\$1,188

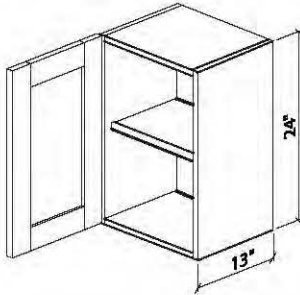
- Modification Options.

PG MGD DMGD FI ID DD FE

- See Modification section for details.

- No shelf.

**WALL SINGLE DOOR,
13" DEEP 24" TALL**



WIDTHS: 12-15-18-21-24

ITEM	G1	G2	G3	G4	G5	G6	G7
W1224L/R	\$561	\$618	\$673	\$679	\$747	\$822	\$904
W1524L/R	\$585	\$644	\$702	\$708	\$779	\$857	\$943
W1824L/R	\$609	\$670	\$731	\$737	\$811	\$892	\$981
W2124L/R**	\$633	\$697	\$760	\$766	\$843	\$927	\$1,020
W2424L/R**	\$657	\$723	\$788	\$795	\$875	\$962	\$1,058

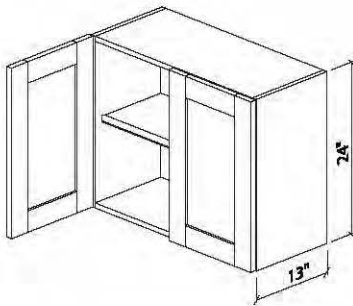
- Modification Options.

PG	MGD	DMGD	S-G/S-W	FI	ID	DD	FE
----	-----	------	---------	----	----	----	----

- See Modification section for details.

- One adjustable shelf.

**WALL DOUBLE DOOR,
13" DEEP 24" TALL**



WIDTHS: 30-33-36

ITEM	G1	G2	G3	G4	G5	G6	G7
W2424**	\$729	\$802	\$875	\$882	\$970	\$1,067	\$1,174
W2724**	\$741	\$815	\$889	\$897	\$986	\$1,085	\$1,193
W3024	\$753	\$828	\$904	\$911	\$1,002	\$1,102	\$1,213
W3324	\$776	\$854	\$931	\$939	\$1,033	\$1,136	\$1,250
W3624	\$781	\$859	\$945	\$1,030	\$1,133	\$1,246	\$1,371

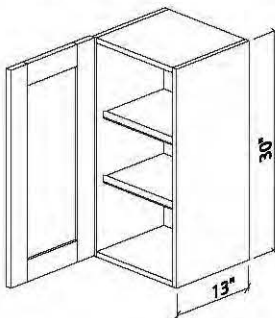
- Modification Options.

PG	MGD	DMGD	S-G/S-W	FI	ID	DD	FE
----	-----	------	---------	----	----	----	----

- See Modification section for details.

- One adjustable shelf.

**WALL SINGLE DOOR,
13" DEEP 30" TALL**



WIDTHS: 9-12-15-18-21-24

ITEM	G1	G2	G3	G4	G5	G6	G7
W0930L/R	\$440	\$484	\$528	\$532	\$585	\$644	\$708
W1230L/R	\$483	\$531	\$580	\$584	\$642	\$707	\$777
W1530L/R	\$526	\$578	\$631	\$636	\$700	\$770	\$847
W1830L/R	\$569	\$626	\$683	\$689	\$758	\$834	\$917
W2130L/R	\$613	\$674	\$736	\$742	\$816	\$898	\$987
W2430L/R	\$657	\$723	\$788	\$795	\$874	\$962	\$1,058

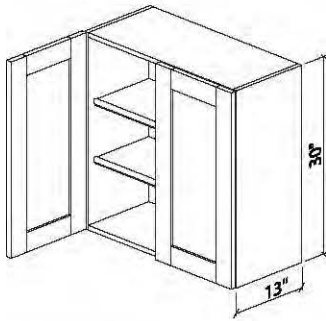
- Modification Options.

PG	MGD	DMGD	S-G/S-W	FI	ID	DD	FE
----	-----	------	---------	----	----	----	----

- See Modification section for details.

- Two adjustable shelves.

**WALL DOUBLE DOOR,
13" DEEP 30" TALL**



WIDTHS: 24-27-30-33-36

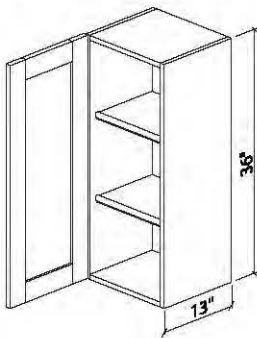
ITEM	G1	G2	G3	G4	G5	G6	G7
W2430	\$766	\$843	\$919	\$927	\$1,020	\$1,122	\$1,234
W2730	\$794	\$874	\$953	\$961	\$1,057	\$1,163	\$1,279
W3030	\$835	\$918	\$1,002	\$1,010	\$1,111	\$1,222	\$1,345
W3330	\$887	\$976	\$1,064	\$1,074	\$1,181	\$1,299	\$1,429
W3630	\$943	\$1,037	\$1,132	\$1,141	\$1,255	\$1,380	\$1,518

- Modification Options.

PG	MGD	DMGD	S-G/S-W	FI	ID	DD	FE
----	-----	------	---------	----	----	----	----

- See Modification section for details.
- Two adjustable shelves.

**WALL SINGLE DOOR,
13" DEEP 36" TALL**



WIDTHS: 9-12-15-18-21-24

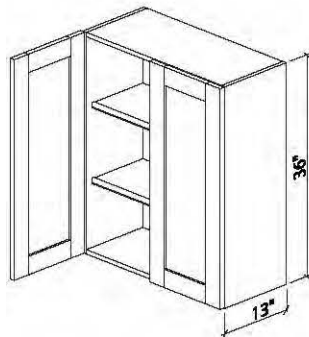
ITEM	G1	G2	G3	G4	G5	G6	G7
W0936L/R	\$459	\$505	\$551	\$555	\$611	\$672	\$739
W1236L/R	\$523	\$575	\$628	\$632	\$696	\$765	\$842
W1536L/R	\$589	\$648	\$707	\$713	\$784	\$863	\$949
W1836L/R	\$659	\$725	\$791	\$798	\$878	\$965	\$1,062
W2136L/R	\$722	\$794	\$866	\$874	\$961	\$1,057	\$1,163
W2436L/R	\$783	\$862	\$940	\$948	\$1,043	\$1,147	\$1,262

- Modification Options.

PG	MGD	DMGD	S-G/S-W	FI	ID	DD	FE
----	-----	------	---------	----	----	----	----

- See Modification section for details.
- Two adjustable shelves.

**WALL DOUBLE DOOR,
13" DEEP 36" TALL**



WIDTHS: 24-27-30-33-36

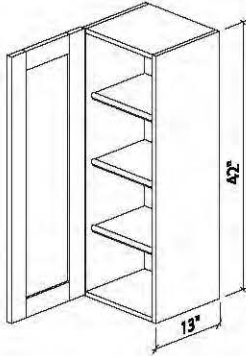
ITEM	G1	G2	G3	G4	G5	G6	G7
W2436	\$913	\$1,004	\$1,096	\$1,104	\$1,215	\$1,336	\$1,470
W2736	\$974	\$1,071	\$1,169	\$1,179	\$1,296	\$1,426	\$1,569
W3036	\$1,042	\$1,146	\$1,250	\$1,260	\$1,386	\$1,525	\$1,678
W3336	\$1,109	\$1,220	\$1,331	\$1,342	\$1,477	\$1,624	\$1,787
W3636	\$1,163	\$1,280	\$1,396	\$1,408	\$1,548	\$1,703	\$1,873

- Modification Options.

PG	MGD	DMGD	S-G/S-W	FI	ID	DD	FE
----	-----	------	---------	----	----	----	----

- See Modification section for details.
- Two adjustable shelves.

**WALL SINGLE DOOR,
13" DEEP 42" TALL**



WIDTHS: 9-12-15-18-21-24

ITEM	G1	G2	G3	G4	G5	G6	G7
W0942L/R	\$536	\$590	\$632	\$637	\$688	\$743	\$803
W1242L/R	\$600	\$660	\$708	\$713	\$770	\$832	\$899
W1542L/R	\$666	\$732	\$786	\$791	\$854	\$922	\$996
W1842L/R	\$736	\$809	\$868	\$874	\$944	\$1,020	\$1,101
W2142L/R	\$805	\$885	\$950	\$956	\$1,033	\$1,115	\$1,204
W2442L/R	\$867	\$954	\$1,023	\$1,030	\$1,113	\$1,202	\$1,298

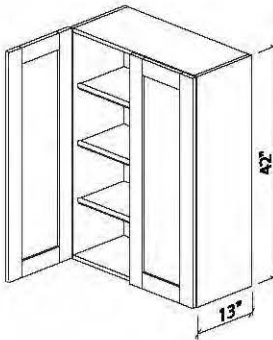
- Modification Options.

PG	MGD	DMGD	S-G/S-W	FI	ID	DD	FE
----	-----	------	---------	----	----	----	----

- See Modification section for details.

- Three adjustable shelves.

**WALL DOUBLE DOOR,
13" DEEP 42" TALL**



WIDTHS: 24-27-30-33-36

ITEM	G1	G2	G3	G4	G5	G6	G7
W2442	\$997	\$1,096	\$1,176	\$1,184	\$1,279	\$1,381	\$1,491
W2742	\$1,109	\$1,220	\$1,309	\$1,318	\$1,423	\$1,537	\$1,660
W3042	\$1,188	\$1,307	\$1,402	\$1,412	\$1,525	\$1,647	\$1,778
W3342	\$1,240	\$1,364	\$1,463	\$1,473	\$1,591	\$1,718	\$1,855
W3642	\$1,334	\$1,467	\$1,574	\$1,584	\$1,711	\$1,848	\$1,996

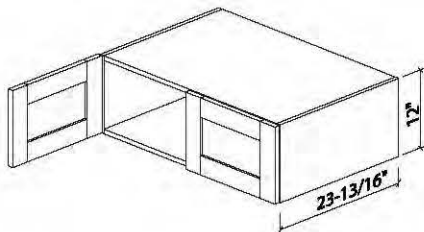
- Modification Options.

PG	MGD	DMGD	S-G/S-W	FI	ID	DD	FE
----	-----	------	---------	----	----	----	----

- See Modification section for details.

- Three adjustable shelves.

**WALL REFRIGERATOR
24" DEEP 12" TALL**



WIDTHS: 30-33-36-42-48

ITEM	G1	G2	G3	G4	G5	G6	G7
W301224**	\$767	\$828	\$890	\$895	\$966	\$1,043	\$1,127
W331224**	\$780	\$842	\$905	\$910	\$983	\$1,061	\$1,146
W361224	\$808	\$873	\$937	\$942	\$1,018	\$1,099	\$1,187
W421224**	\$851	\$919	\$987	\$993	\$1,072	\$1,158	\$1,250
W481224-4D**	\$1,277	\$1,379	\$1,481	\$1,490	\$1,608	\$1,737	\$1,875

- Modification Options.

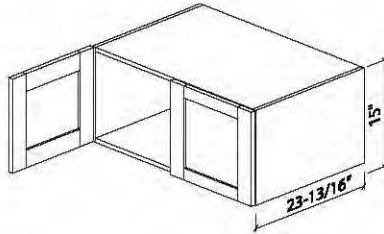
DD	FE
----	----

- See Modification section for details.

- No shelf.

- W481224-4D has four doors and center stile.

WALL REFRIGERATOR
24" DEEP 15" TALL



WIDTHS: 30-33-36-42-48

ITEM	G1	G2	G3	G4	G5	G6	G7
W301524**	\$783	\$846	\$908	\$913	\$986	\$1,065	\$1,150
W331524**	\$808	\$873	\$937	\$942	\$1,018	\$1,099	\$1,187
W361524**	\$838	\$905	\$972	\$977	\$1,056	\$1,140	\$1,231
W421524**	\$945	\$1,021	\$1,096	\$1,102	\$1,190	\$1,286	\$1,389
W481524-4D**	\$1,418	\$1,532	\$1,644	\$1,653	\$1,785	\$1,929	\$2,084

- Modification Options.

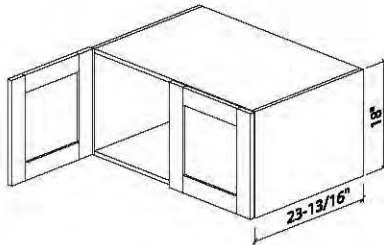
DD FE

- See Modification section for details.

- No shelf.

- W481524-4D has four doors and center stile.

WALL REFRIGERATOR
24" DEEP 18" TALL



WIDTHS: 30-33-36-42-48

ITEM	G1	G2	G3	G4	G5	G6	G7
W301824	\$826	\$892	\$958	\$963	\$1,041	\$1,124	\$1,214
W331824	\$849	\$917	\$985	\$990	\$1,069	\$1,155	\$1,247
W361824	\$876	\$946	\$1,016	\$1,022	\$1,104	\$1,192	\$1,287
W421824**	\$993	\$1,072	\$1,152	\$1,158	\$1,251	\$1,351	\$1,459
W481824-4D**	\$1,490	\$1,608	\$1,728	\$1,737	\$1,877	\$2,027	\$2,189

- Modification Options.

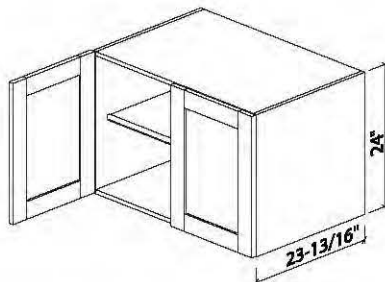
DD FE

- See Modification section for details.

- No shelf.

- W481824-4D has four doors and center stile.

WALL REFRIGERATOR
24" DEEP 24" TALL



WIDTHS: 30-33-36-42-48

ITEM	G1	G2	G3	G4	G5	G6	G7
W302424	\$989	\$1,068	\$1,147	\$1,154	\$1,246	\$1,346	\$1,453
W332424**	\$1,013	\$1,094	\$1,175	\$1,182	\$1,276	\$1,378	\$1,488
W362424	\$1,047	\$1,131	\$1,215	\$1,221	\$1,319	\$1,424	\$1,538
W422424	\$1,112	\$1,201	\$1,290	\$1,297	\$1,401	\$1,513	\$1,634
W482424-4D	\$1,668	\$1,802	\$1,935	\$1,946	\$2,102	\$2,270	\$2,451

- Modification Options.

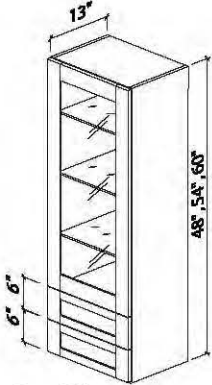
DD FE

- See Modification section for details.

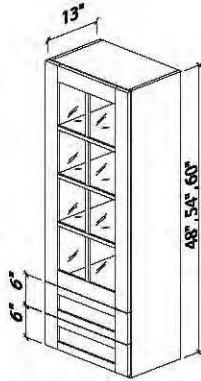
- One adjustable shelf.

- W482424-4D has four doors and center stile.

WALL DOOR TWO DRAWER
13" DEEP 48", 54", 60" TALL WITH
GLASS SHELF



Door Style:
Bellrose / Lakeland



Door Style:
Greenfield / Ridgewood /
Newhaven / Wellington

WIDTHS: 15-18

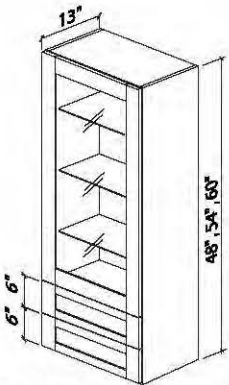
ITEM	G1	G2	G3	G4	G5	G6	G7
W2D154813GL/R**	\$1,530	\$1,652	\$1,775	\$1,785	\$1,927	\$2,082	\$2,248
W2D184813GL/R**	\$1,561	\$1,685	\$1,810	\$1,821	\$1,966	\$2,124	\$2,293
W2D155413GL/R**	\$1,632	\$1,763	\$1,893	\$1,904	\$2,056	\$2,220	\$2,398
W2D185413GL/R**	\$1,665	\$1,798	\$1,931	\$1,942	\$2,097	\$2,264	\$2,446
W2D156013GL/R**	\$1,733	\$1,872	\$2,010	\$2,021	\$2,183	\$2,358	\$2,546
W2D186013GL/R**	\$1,768	\$1,909	\$2,050	\$2,061	\$2,227	\$2,405	\$2,597

- Modification Options.

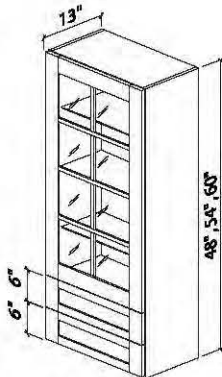
DD

- See Modification section for details.
- Glass door included.
- Glass door cabinets come standard with finished sides and finished interiors.
- Three adjustable glass shelves included.
- 48" & 54" high cabinets can be ordered with solid wood doors.

WALL GLASS DOOR TWO DRAWER
13" DEEP 48", 54", 60" TALL WITH
GLASS SHELF



Door Style:
Bellrose / Lakeland



Door Style:
Greenfield / Ridgewood /
Newhaven / Wellington

WIDTHS: 21-24

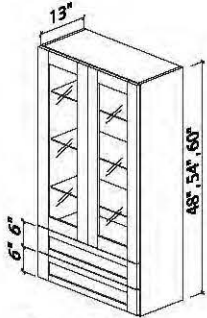
ITEM	G1	G2	G3	G4	G5	G6	G7
W2D214813GL/R**	\$1,592	\$1,719	\$1,847	\$1,857	\$2,005	\$2,166	\$2,339
W2D244813GL/R**	\$1,631	\$1,761	\$1,892	\$1,902	\$2,055	\$2,219	\$2,396
W2D215413GL/R**	\$1,698	\$1,834	\$1,970	\$1,981	\$2,139	\$2,310	\$2,495
W2D245413GL/R**	\$1,727	\$1,865	\$2,003	\$2,014	\$2,176	\$2,350	\$2,538
W2D216013GL/R**	\$1,803	\$1,948	\$2,091	\$2,103	\$2,271	\$2,453	\$2,649
W2D246013GL/R**	\$1,835	\$1,982	\$2,129	\$2,140	\$2,312	\$2,496	\$2,696

- Modification Options.

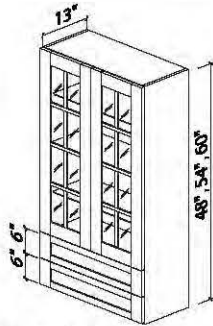
DD

- See Modification section for details.
- Glass door included.
- Glass door cabinets come standard with finished sides and finished interiors.
- Three adjustable glass shelves included.
- 48" & 54" high cabinets can be ordered with solid wood doors.

WALL GLASS DOUBLE DOOR TWO DRAWER
13" DEEP 48", 54", 60" TALL
WITH GLASS SHELF



Door Style:
Bellrose / Lakeland



Door Style:
Greenfield / Ridgewood /
Newhaven / Wellington

WIDTHS: 30-36

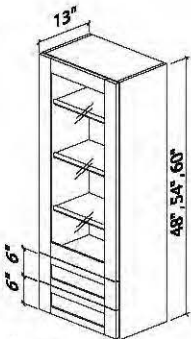
ITEM	G1	G2	G3	G4	G5	G6	G7
W2D304813G**	\$2,023	\$2,185	\$2,347	\$2,360	\$2,548	\$2,752	\$2,972
W2D364813G**	\$2,220	\$2,398	\$2,575	\$2,589	\$2,797	\$3,020	\$3,262
W2D305413G**	\$2,170	\$2,344	\$2,517	\$2,531	\$2,734	\$2,952	\$3,188
W2D365413G**	\$2,384	\$2,575	\$2,765	\$2,781	\$3,003	\$3,243	\$3,503
W2D306013G**	\$2,317	\$2,502	\$2,688	\$2,703	\$2,919	\$3,152	\$3,404
W2D366013G**	\$2,548	\$2,752	\$2,956	\$2,972	\$3,210	\$3,467	\$3,744

- Modification Options.

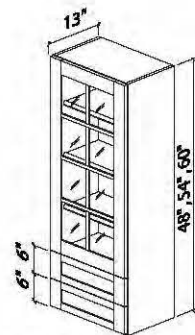
DD

- See Modification section for details.
- Glass door included.
- Glass door cabinets come standard with finished sides and finished interiors.
- Three adjustable glass shelves included.
- 48" & 54" high cabinets can be ordered with solid wood doors.

WALL GLASS DOOR TWO DRAWER
13" DEEP 48", 54", 60" TALL
WITH WOOD SHELF



Door Style:
Bellrose / Lakeland



Door Style:
Greenfield / Ridgewood /
Newhaven / Wellington

WIDTHS: 15-18

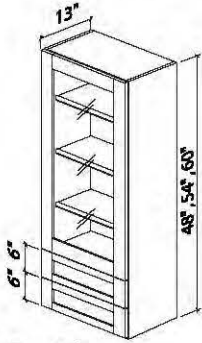
ITEM	G1	G2	G3	G4	G5	G6	G7
W2D154813GL/R-WS**	\$1,630	\$1,752	\$1,875	\$1,885	\$2,027	\$2,182	\$2,348
W2D184813GL/R-WS**	\$1,661	\$1,785	\$1,910	\$1,921	\$2,066	\$2,224	\$2,393
W2D155413GL/R-WS**	\$1,732	\$1,863	\$1,993	\$2,004	\$2,156	\$2,320	\$2,498
W2D185413GL/R-WS**	\$1,765	\$1,898	\$2,031	\$2,042	\$2,197	\$2,364	\$2,546
W2D156013GL/R-WS**	\$1,833	\$1,972	\$2,110	\$2,121	\$2,283	\$2,458	\$2,646
W2D186013GL/R-WS**	\$1,868	\$2,009	\$2,150	\$2,161	\$2,327	\$2,505	\$2,697

- Modification Options.

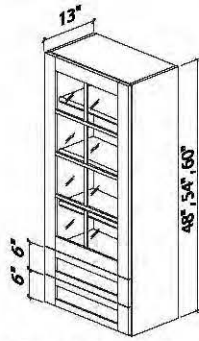
DD

- See Modification section for details.
- Glass door included.
- Glass door cabinets come standard with finished sides and finished interiors.
- Three adjustable wood shelves included.
- 48" & 54" high cabinets can be ordered with solid wood doors.

WALL GLASS DOOR TWO DRAWER
13" DEEP 48", 54", 60" TALL
WITH WOOD SHELF



Door Style:
Bellrose / Lakeland



Door Style:
Greenfield / Ridgewood /
Newhaven / Wellington

WIDTHS: 21-24

ITEM	G1	G2	G3	G4	G5	G6	G7
W2D214813GL/R-WS**	\$1,692	\$1,819	\$1,947	\$1,957	\$2,105	\$2,266	\$2,439
W2D244813GL/R-WS**	\$1,731	\$1,861	\$1,992	\$2,002	\$2,155	\$2,319	\$2,496
W2D215413GL/R-WS**	\$1,798	\$1,934	\$2,070	\$2,081	\$2,239	\$2,410	\$2,595
W2D245413GL/R-WS**	\$1,827	\$1,965	\$2,103	\$2,114	\$2,276	\$2,450	\$2,638
W2D216013GL/R-WS**	\$1,903	\$2,048	\$2,191	\$2,203	\$2,371	\$2,553	\$2,749
W2D246013GL/R-WS**	\$1,935	\$2,082	\$2,229	\$2,240	\$2,412	\$2,596	\$2,796

- Modification Options.

DD

- See Modification section for details.

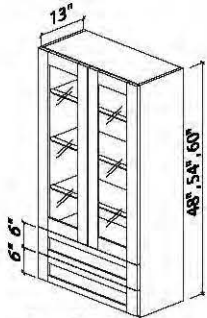
- Glass door included.

- Glass door cabinets come standard with finished sides and finished interiors.

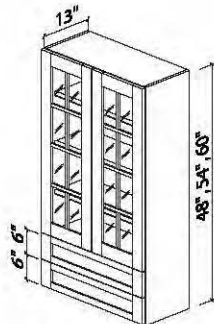
- Three adjustable wood shelves included.

- 48" & 54" high cabinets can be ordered with solid wood doors.

WALL GLASS DOUBLE DOOR TWO DRAWER
13" DEEP 48", 54", 60" TALL
WITH WOOD SHELF



Door Style:
Bellrose / Lakeland



Door Style:
Greenfield / Ridgewood /
Newhaven / Wellington

WIDTHS: 30-36

ITEM	G1	G2	G3	G4	G5	G6	G7
W2D304813G-WS**	\$2,223	\$2,385	\$2,547	\$2,560	\$2,748	\$2,952	\$3,172
W2D364813G-WS**	\$2,420	\$2,598	\$2,775	\$2,789	\$2,997	\$3,220	\$3,462
W2D305413G-WS**	\$2,370	\$2,544	\$2,717	\$2,731	\$2,934	\$3,152	\$3,388
W2D365413G-WS**	\$2,584	\$2,775	\$2,965	\$2,981	\$3,203	\$3,443	\$3,703
W2D306013G-WS**	\$2,517	\$2,702	\$2,888	\$2,903	\$3,119	\$3,352	\$3,604
W2D366013G-WS**	\$2,748	\$2,952	\$3,156	\$3,172	\$3,410	\$3,667	\$3,944

- Modification Options.

DD

- See Modification section for details.

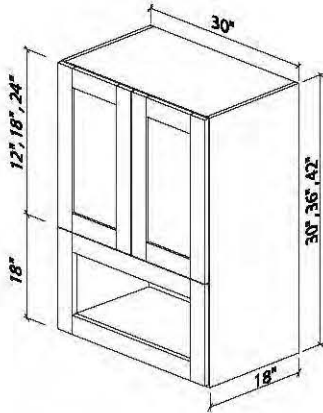
- Glass door included.

- Glass door cabinets come standard with finished sides and finished interiors.

- Three adjustable wood shelves included.

- 48" & 54" high cabinets can be ordered with solid wood doors.

WALL MICROWAVE CABINET
18" DEEP 30", 36", 42" TALL



WIDTH: 30

ITEM	G1	G2	G3	G4	G5	G6	G7
MW303018	\$1,687	\$1,822	\$1,957	\$1,968	\$2,125	\$2,295	\$2,479
MW303618	\$1,858	\$2,007	\$2,155	\$2,167	\$2,341	\$2,528	\$2,730
MW304218	\$1,981	\$2,139	\$2,298	\$2,311	\$2,495	\$2,695	\$2,911

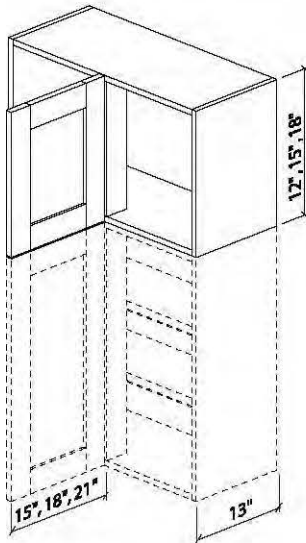
- Modification Options.

DD

- See Modification section for details.

- Microwave cabinets feature a 2-1/2" solid wood open frame. They can be ordered with exact cutout dimensions at additional cost. Please call for details.

WALL BLIND CORNER SINGLE DOOR
13" DEEP 12", 15", 18" TALL



WIDTHS: 30-33-36

ITEM	G1	G2	G3	G4	G5	G6	G7
WBC3012L/R**	\$676	\$730	\$784	\$789	\$852	\$920	\$993
WBC3312L/R**	\$702	\$758	\$814	\$818	\$884	\$955	\$1,031
WBC3612L/R**	\$726	\$784	\$842	\$847	\$915	\$988	\$1,067
WBC3015L/R**	\$697	\$753	\$809	\$813	\$878	\$948	\$1,024
WBC3315L/R**	\$726	\$784	\$842	\$846	\$914	\$987	\$1,066
WBC3615L/R**	\$753	\$813	\$873	\$879	\$949	\$1,025	\$1,107
WBC3018L/R**	\$718	\$775	\$833	\$837	\$904	\$977	\$1,055
WBC3318L/R**	\$750	\$809	\$870	\$874	\$944	\$1,020	\$1,101
WBC3618L/R**	\$754	\$814	\$875	\$879	\$950	\$1,026	\$1,108

- Modification Options.

DD FE

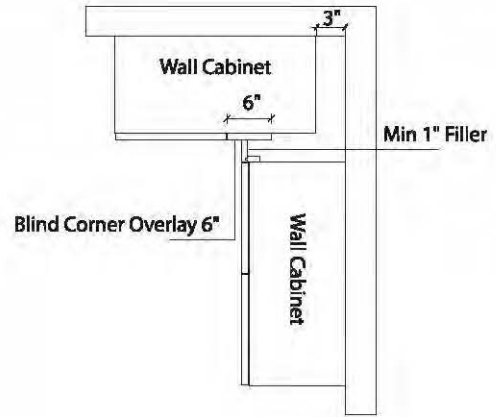
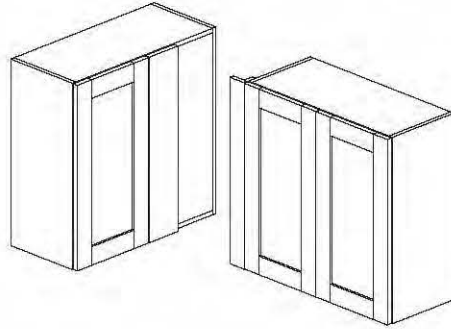
- See Modification section for details.

- Lor R indicates blind side and door hinging.

- Door hinged on same side as blind.

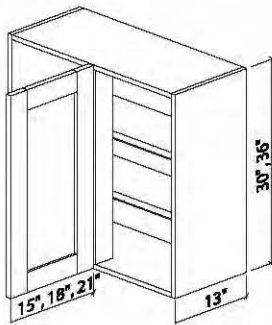
- Blind corner cabinets feature a 6" overlay filler so that corner is finished.

- Cabinets do not need to be pulled but can be pulled up to 3 inches.



- A 6 filler overlay is included with each WBC cabinet ordered.
- You must order and utilize a filler for the adjoining wall cabinet.

**WALL BLIND CORNER SINGLE DOOR
13" DEEP 30", 36" TALL**



WIDTHS: 30-33-36

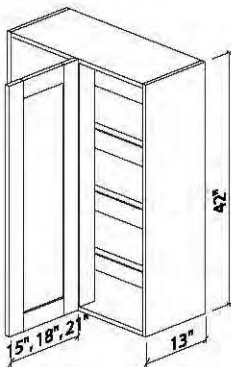
ITEM	G1	G2	G3	G4	G5	G6	G7
WBC3030L/R	\$803	\$868	\$931	\$937	\$1,012	\$1,093	\$1,181
WBC3330L/R**	\$857	\$926	\$994	\$1,000	\$1,080	\$1,166	\$1,260
WBC3630L/R	\$910	\$983	\$1,056	\$1,061	\$1,146	\$1,238	\$1,337
WBC3036L/R	\$943	\$1,018	\$1,094	\$1,099	\$1,187	\$1,282	\$1,385
WBC3336L/R**	\$1,007	\$1,087	\$1,168	\$1,174	\$1,268	\$1,369	\$1,479
WBC3636L/R	\$1,070	\$1,156	\$1,241	\$1,249	\$1,349	\$1,456	\$1,573

- Modification Options.

DD FE

- See Modification section for details.
- Lor R indicates blind side and door hinging.
- Door hinged on same side as blind.
- Blind corner cabinets feature a 6" overlay filler so that corner is finished.
- Cabinets do not need to be pulled but can be pulled up to 3 inches.

**WALL BLIND CORNER SINGLE DOOR
13" DEEP 42" TALL**



WIDTHS: 30-33-36

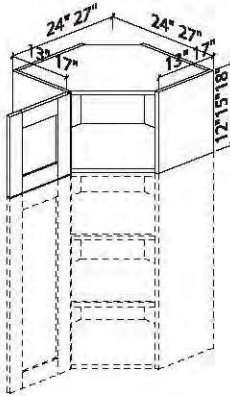
ITEM	G1	G2	G3	G4	G5	G6	G7
WBC3042L/R	\$1,081	\$1,167	\$1,254	\$1,260	\$1,361	\$1,470	\$1,588
WBC3342L/R**	\$1,158	\$1,251	\$1,343	\$1,351	\$1,459	\$1,576	\$1,702
WBC3642L/R	\$1,235	\$1,333	\$1,433	\$1,440	\$1,555	\$1,680	\$1,814

- Modification Options.

DD FE

- See Modification section for details.
- Lor R indicates blind side and door hinging.
- Door hinged on same side as blind.
- Blind corner cabinets feature a 6" overlay filler so that corner is finished.
- Cabinets do not need to be pulled but can be pulled up to 3 inches.

WALL CORNER CABINET
13" & 17" DEEP 12", 15", 18" TALL



WIDTHS: 24-27

ITEM	G1	G2	G3	G4	G5	G6	G7
WDC2412L/R**	\$840	\$907	\$974	\$980	\$1,058	\$1,143	\$1,234
WDC2415L/R**	\$882	\$952	\$1,023	\$1,029	\$1,111	\$1,200	\$1,296
WDC2418L/R**	\$926	\$1,000	\$1,074	\$1,080	\$1,166	\$1,260	\$1,360
WDC271217L/R**	\$1,175	\$1,268	\$1,363	\$1,370	\$1,480	\$1,598	\$1,726
WDC271517L/R**	\$1,175	\$1,268	\$1,363	\$1,370	\$1,480	\$1,598	\$1,726
WDC271817L/R**	\$1,175	\$1,268	\$1,363	\$1,370	\$1,480	\$1,598	\$1,726

- Modification Options.

PG	MGD	DMGD	FI	FE

- See Modification section for details.
- Left shown, hinged door opens to 170 deg.
- Door are profiled on two short edges and are connected with hinges.

WALL CORNER CABINET
13" & 17" DEEP 30", 36" TALL



WIDTHS: 24-27

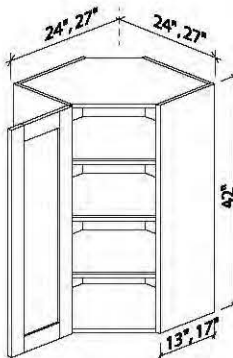
ITEM	G1	G2	G3	G4	G5	G6	G7
WDC2430L/R	\$840	\$907	\$974	\$980	\$1,058	\$1,143	\$1,234
WDC2436L/R	\$1,003	\$1,083	\$1,163	\$1,170	\$1,263	\$1,364	\$1,473
WDC273017L/R**	\$1,175	\$1,268	\$1,363	\$1,370	\$1,480	\$1,598	\$1,726
WDC273617L/R**	\$1,404	\$1,516	\$1,629	\$1,638	\$1,769	\$1,910	\$2,063

- Modification Options.

PG	MGD	DMGD	FI	FE

- See Modification section for details.
- Two adjustable shelves.

WALL CORNER CABINET
13" , 17" DEEP 42" TALL



WIDTHS: 24-27

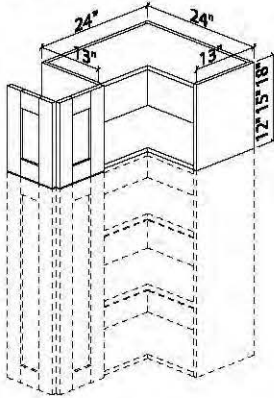
ITEM	G1	G2	G3	G4	G5	G6	G7
WDC2442L/R	\$1,073	\$1,159	\$1,245	\$1,252	\$1,352	\$1,460	\$1,577
WDC274217L/R**	\$1,502	\$1,622	\$1,742	\$1,752	\$1,892	\$2,043	\$2,206

- Modification Options.

PG	MGD	DMGD	FI	FE

- See Modification section for details.
- Three adjustable shelves.

WALL CORNER CABINET
24" DEEP 12", 15", 18" TALL



WIDTHS: 24

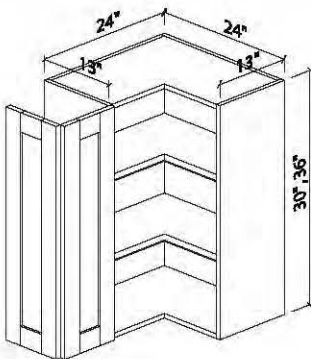
ITEM	G1	G2	G3	G4	G5	G6	G7
WCOR2412L/R**	\$957	\$1,033	\$1,110	\$1,116	\$1,206	\$1,302	\$1,406
WCOR2415L/R**	\$977	\$1,055	\$1,133	\$1,139	\$1,230	\$1,328	\$1,435
WCOR2418L/R**	\$997	\$1,076	\$1,156	\$1,162	\$1,255	\$1,355	\$1,464

- Modification Options.

FE

- See Modification section for details.
- Left shown, hinged door opens to 170 deg.
- Door are profiled on two short edges and are connected with hinges.

WALL CORNER CABINET
24" DEEP 30", 36" TALL



WIDTH: 24

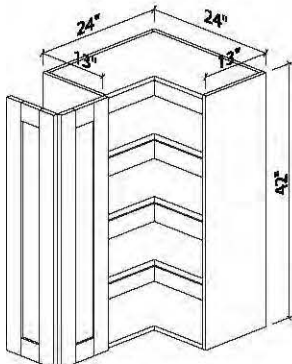
ITEM	G1	G2	G3	G4	G5	G6	G7
WCOR2430L/R	\$1,017	\$1,098	\$1,180	\$1,186	\$1,281	\$1,383	\$1,494
WCOR2436L/R	\$1,166	\$1,259	\$1,353	\$1,360	\$1,469	\$1,586	\$1,713

- Modification Options.

FE

- See Modification section for details.
- Left shown, hinged door opens to 170 deg.
- Doors are profiled on two short edges and are connected with hinges.
- Two adjustable shelves.

WALL CORNER CABINET
24" DEEP 42" TALL



WIDTH: 24

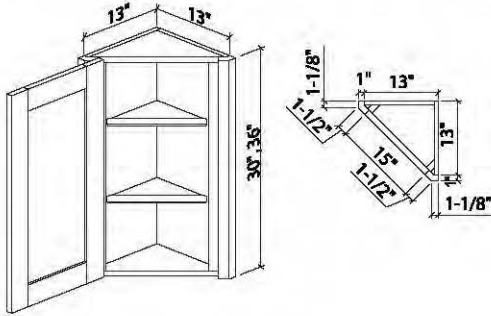
ITEM	G1	G2	G3	G4	G5	G6	G7
WCOR2442L/R	\$1,334	\$1,440	\$1,547	\$1,556	\$1,680	\$1,815	\$1,960

- Modification Options.

FE

- See Modification section for details.
- Left shown, hinged door opens to 170 deg.
- Doors are profiled on two short edges and are connected with hinges.
- Three adjustable shelves.

WALL END ANGLE CABINET
13" DEEP 30", 36" TALL

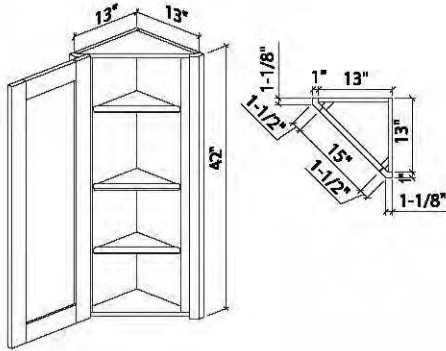


WIDTH: 13

ITEM	G1	G2	G3	G4	G5	G6	G7
WECA1330L/R**	\$805	\$869	\$934	\$938	\$1,014	\$1,095	\$1,182
WECA1336L/R**	\$821	\$887	\$953	\$957	\$1,035	\$1,117	\$1,206

- Two adjustable shelves.

WALL END ANGLE CABINET
13" DEEP 42" TALL

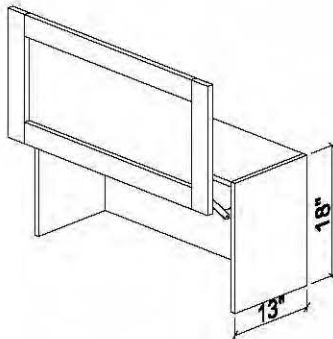


WIDTH: 13

ITEM	G1	G2	G3	G4	G5	G6	G7
WECA1342L/R	\$838	\$905	\$972	\$977	\$1,056	\$1,140	\$1,231

- Three adjustable shelves.

WALL APPLIANCE GARAGE TOP
HL CABINET 13" DEEP 18" TALL



WIDTHS: 18-24-30

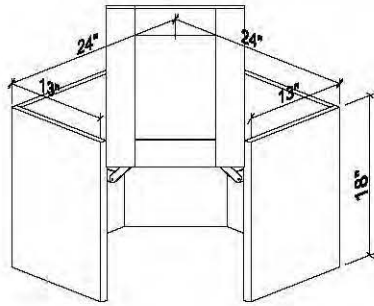
ITEM	G1	G2	G3	G4	G5	G6	G7
WAGTHL1818**	\$1,085	\$1,128	\$1,189	\$1,249	\$1,311	\$1,389	\$1,472
WAGTHL2418**	\$1,127	\$1,172	\$1,235	\$1,298	\$1,362	\$1,443	\$1,529
WAGTHL3018	\$1,183	\$1,231	\$1,297	\$1,363	\$1,430	\$1,515	\$1,605

- Modification Options.

PG FI ID DD FE

- See Modification section for details.
- Matching finished interior.
- Cabinet is finished on both sides.
- 13" deep, no floor.
- Blum lift up door hardware.
- Opening height.

**WALL APPLIANCE GARAGE
TOP HL CABINET 13"DEEP 18" TALL**



WIDTH: 24

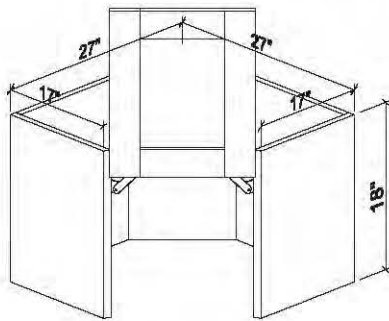
ITEM	G1	G2	G3	G4	G5	G6	G7
WDAGTHL2418**	\$1,271	\$1,338	\$1,392	\$1,466	\$1,541	\$1,617	\$1,713

- Modification Options.

FE

- See Modification section for details.
- Matching finished interior.
- Cabinet is finished on both sides.
- 13" deep, no floor.
- Blum lift up door hardware.

**WALL APPLIANCE GARAGE
TOP HL CABINET 17"DEEP 18" TALL**



WIDTH: 27

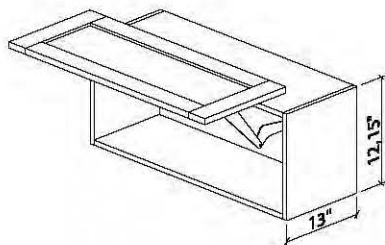
ITEM	G1	G2	G3	G4	G5	G6	G7
WDAGTHL271817**	\$1,338	\$1,392	\$1,466	\$1,541	\$1,617	\$1,714	\$1,816

- Modification Options.

FE

- See Modification section for details.
- Matching finished interior.
- Cabinet is finished on both sides.
- 17" deep, no floor.
- Blum lift up door hardware.

**WALL TOP HINGE CABINET
13" DEEP 12" , 15" TALL**



WIDTHS: 24-30-36

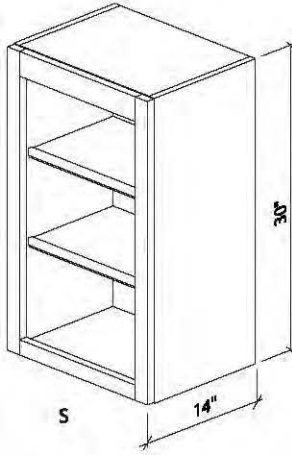
ITEM	G1	G2	G3	G4	G5	G6	G7
WTH2412**	\$740	\$814	\$888	\$896	\$986	\$1,084	\$1,192
WTH3012	\$762	\$838	\$915	\$923	\$1,016	\$1,117	\$1,228
WTH3612	\$777	\$855	\$932	\$940	\$1,034	\$1,138	\$1,251
WTH2415**	\$881	\$927	\$964	\$1,016	\$1,067	\$1,120	\$1,187
WTH3015	\$917	\$965	\$1,004	\$1,058	\$1,100	\$1,165	\$1,234
WTH3615	\$990	\$1,045	\$1,087	\$1,145	\$1,206	\$1,266	\$1,340

- Modification Options.

PG FI ID DD FE

- See Modification section for details.
- No shelf.
- Blum lift up door hardware.
- Two hydraulic lifts to hold door open.

WALL OPEN CABINET
14" DEEP 30" TALL



WITH STRAIGHT VALANCE

WIDTHS: 15-18-21-24-27-30-33-36

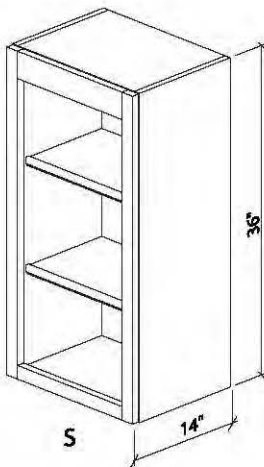
ITEM	G1	G2	G3	G4	G5	G6	G7
WOC1530S**	\$585	\$585	\$702	\$702	\$707	\$707	\$707
WOC1830S**	\$606	\$606	\$727	\$727	\$734	\$734	\$734
WOC2130S**	\$628	\$628	\$754	\$754	\$760	\$760	\$760
WOC2430S**	\$708	\$708	\$850	\$850	\$857	\$857	\$857
WOC2730S**	\$786	\$786	\$943	\$943	\$952	\$952	\$952
WOC3030S**	\$810	\$810	\$972	\$972	\$980	\$980	\$980
WOC3330S**	\$851	\$851	\$1,021	\$1,021	\$1,029	\$1,029	\$1,029
WOC3630S**	\$860	\$860	\$1,032	\$1,032	\$1,041	\$1,041	\$1,041

- Modification Options.

DD

- See Modification section for details.
- Two adjustable shelves.
- Matching finished interior.
- Finished sides, tops and bottoms.
- Also available in custom sizes.
- 14" deep with frame.

WALL OPEN CABINET
14" DEEP 36" TALL



WITH STRAIGHT VALANCE

WIDTHS: 15-18-21-24-27-30-33-36

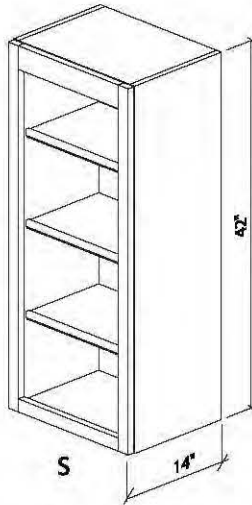
ITEM	G1	G2	G3	G4	G5	G6	G7
WOC1536S**	\$645	\$645	\$774	\$774	\$781	\$781	\$781
WOC1836S**	\$668	\$668	\$802	\$802	\$809	\$809	\$809
WOC2136S**	\$691	\$691	\$829	\$829	\$836	\$836	\$836
WOC2436S**	\$783	\$783	\$940	\$940	\$947	\$947	\$947
WOC2736S**	\$877	\$877	\$1,052	\$1,052	\$1,062	\$1,062	\$1,062
WOC3036S**	\$910	\$910	\$1,092	\$1,092	\$1,101	\$1,101	\$1,101
WOC3336S**	\$931	\$931	\$1,117	\$1,117	\$1,126	\$1,126	\$1,126
WOC3636S**	\$965	\$965	\$1,158	\$1,158	\$1,167	\$1,167	\$1,167

- Modification Options.

DD

- See Modification section for details.
- Two adjustable shelves.
- Matching finished interior.
- Finished sides, tops and bottoms.
- Also available in custom sizes.
- 14" deep with frame.

WALL OPEN CABINET
14" DEEP 42" TALL



WITH STRAIGHT VALANCE

WIDTHS: 15-18-21-24-27-30-33-36

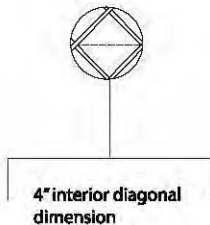
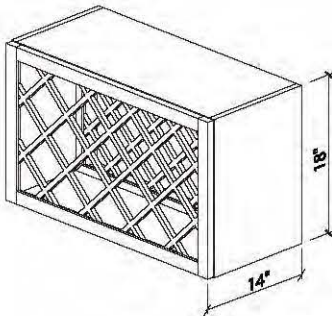
ITEM	G1	G2	G3	G4	G5	G6	G7
WOC1542S**	\$706	\$706	\$847	\$847	\$855	\$855	\$855
WOC1842S**	\$733	\$733	\$880	\$880	\$887	\$887	\$887
WOC2142S**	\$759	\$759	\$911	\$911	\$919	\$919	\$919
WOC2442S**	\$836	\$836	\$1,003	\$1,003	\$1,012	\$1,012	\$1,012
WOC2742S**	\$1,028	\$1,028	\$1,234	\$1,234	\$1,244	\$1,244	\$1,244
WOC3042S**	\$1,072	\$1,072	\$1,286	\$1,286	\$1,297	\$1,297	\$1,297
WOC3342S**	\$1,102	\$1,102	\$1,322	\$1,322	\$1,333	\$1,333	\$1,333
WOC3642S**	\$1,155	\$1,155	\$1,386	\$1,386	\$1,397	\$1,397	\$1,397

- Modification Options.

DD

- See Modification section for details.
- Three adjustable shelves.
- Matching finished interior.
- Finished sides, tops and bottoms.
- Also available in custom sizes.
- 14" deep with frame.

LATTICE WALL CABINET
14" DEEP 18" TALL

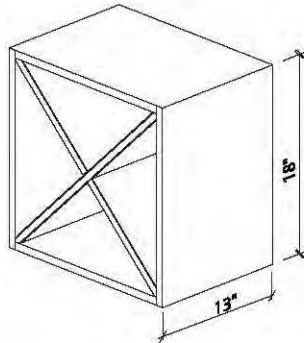


WIDTHS: 30-36

ITEM	G1	G2	G3	G4	G5	G6	G7
LW3018	\$523	\$523	\$549	\$575	\$632	\$632	\$632
LW3618	\$576	\$576	\$605	\$634	\$697	\$697	\$697

- Can store 3-3/4" diameter bottle.
- Can be installed vertically to be 18 x 30 & 18 x 36.
- Matching finished interior.
- Finished sides, tops and bottoms.
- 14" deep with frame.

WINE STORAGE CABINET
13" DEEP 18" TALL

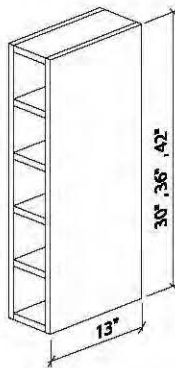


WIDTH: 18

ITEM	G1	G2	G3	G4	G5	G6	G7
WSC1818	\$413	\$413	\$496	\$496	\$500	\$500	\$500

- Matching finished interior.
- Finished sides, tops and bottoms.

WALL WINE RACK CABINET
13" DEEP 30" , 36" , 42" TALL



WIDTH: 6

ITEM	G1	G2	G3	G4	G5	G6	G7
WWR0630	\$805	\$805	\$966	\$966	\$974	\$974	\$974
WWR0636	\$880	\$880	\$1,056	\$1,056	\$1,065	\$1,065	\$1,065
WWR0642	\$961	\$961	\$1,153	\$1,153	\$1,163	\$1,163	\$1,163

- 30" with 4 shelves.
- 36" with 5 shelves.
- 42" with 6 shelves.

St.Martin

C A B I N E T R Y

Wall Hoods

READING THE CODE

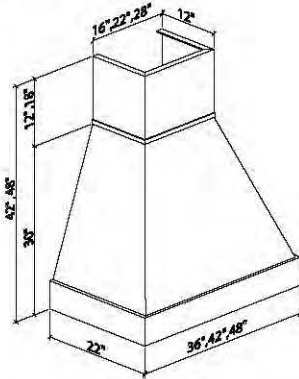
WHIA (hood)45 (width)

- Hood should be set a minimum of 30" above the cooking surface.
- Solid wood/wood veneer construction for our wall connected hoods.
Stainless steel construction available for our other hood series.
- Hoods are either independent of the cabinet run or integrated into the cabinet run.
- Dealer is responsible for ensuring that wood hoods meet local building codes and the installer securely attaches the hood front to the body of the hood with brackets, screws, or nails.

87 Schuylkill Street, Cressona, PA, 17929

Tel: 570-593-8596 Fax: 570-593-8066 / www.StmartinCabinetry.com

ASHTON RANGE HOOD
22" DEEP 42" 48" TALL

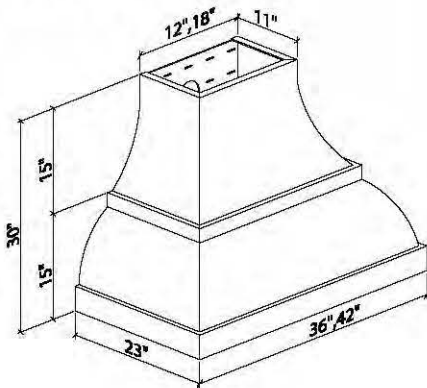


WIDTHS: 36-42-48

ITEM	G1	G2	G3	G4	G5	G6	G7
ASH3642**	\$6,600	\$N/A	\$N/A	\$N/A	\$N/A	\$N/A	\$N/A
ASH4242**	\$7,300	\$N/A	\$N/A	\$N/A	\$N/A	\$N/A	\$N/A
ASH4842**	\$8,000	\$N/A	\$N/A	\$N/A	\$N/A	\$N/A	\$N/A
ASH3648**	\$6,930	\$N/A	\$N/A	\$N/A	\$N/A	\$N/A	\$N/A
ASH4248**	\$7,665	\$N/A	\$N/A	\$N/A	\$N/A	\$N/A	\$N/A
ASH4848**	\$8,400	\$N/A	\$N/A	\$N/A	\$N/A	\$N/A	\$N/A

- Stainless steel construction, 1200 CFM blower included.
- Body Finish Options: Powder Coated White, Metallic Black; Brushed Stainless Steel.
- Trim Options: Polished Stainless Steel; Brushed Brass; Same As Body Finish.
- Please refer to finish samples for more information.
- Items marked with a double asterisk (**) are non-inventoried and are custom built and finished, the Lead Time will be 8-10 weeks.
- Coming soon: please inquire with customer service to confirm availability.

CHATEAU RANGE HOOD
23" DEEP 30" TALL

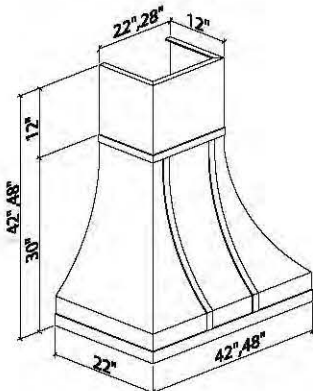


WIDTHS: 36-42

ITEM	G1	G2	G3	G4	G5	G6	G7
CHA3630**	\$6,600	\$N/A	\$N/A	\$N/A	\$N/A	\$N/A	\$N/A
CHA4230**	\$7,300	\$N/A	\$N/A	\$N/A	\$N/A	\$N/A	\$N/A

- Stainless steel construction, 1200 CFM blower included.
- Body Finish Options: Powder Coated White, Metallic Black; Brushed Stainless Steel.
- Trim Options: Polished Stainless Steel; Brushed Brass; Same As Body Finish.
- Please refer to finish samples for more information.
- Items marked with a double asterisk (**) are non-inventoried and are custom built and finished, the Lead Time will be 8-10 weeks.
- Coming soon: please inquire with customer service to confirm availability.

ORLEANS RANGE HOOD
22" DEEP 42" 48" TALL



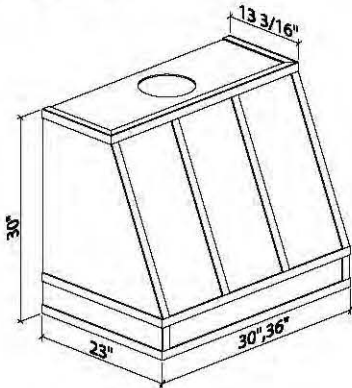
WIDTHS: 42-48

ITEM	G1	G2	G3	G4	G5	G6	G7
ORL4242**	\$7,665	\$N/A	\$N/A	\$N/A	\$N/A	\$N/A	\$N/A
ORL4842**	\$8,400	\$N/A	\$N/A	\$N/A	\$N/A	\$N/A	\$N/A
ORL4248**	\$7,765	\$N/A	\$N/A	\$N/A	\$N/A	\$N/A	\$N/A
ORL4848**	\$8,500	\$N/A	\$N/A	\$N/A	\$N/A	\$N/A	\$N/A

- Stainless steel construction, 1200 CFM blower included.
- Body Finish Options: Powder Coated White, Metallic Black; Brushed Stainless Steel.
- Trim Options: Polished Stainless Steel; Brushed Brass; Same As Body Finish.
- Please refer to finish samples for more information.
- Items marked with a double asterisk (**) are non-inventoried and are custom built and finished, the Lead Time will be 8-10 weeks.
- Coming soon: please inquire with customer service to confirm availability.

9
Wall Hoods

MADISON RANGE HOOD
23" DEEP 30" TALL

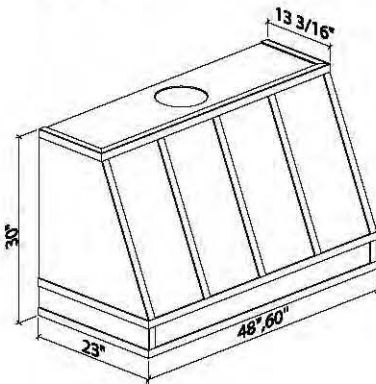


WIDTHS: 30-36

ITEM	G1	G2	G3	G4	G5	G6	G7
MAD3030**	\$7,665	\$N/A	\$N/A	\$N/A	\$N/A	\$N/A	\$N/A
MAD3630**	\$8,400	\$N/A	\$N/A	\$N/A	\$N/A	\$N/A	\$N/A

- Stainless steel construction, 1200 CFM blower included.
- Body Finish Options: Powder Coated White, Metallic Black; Brushed Stainless Steel.
- Trim Options: Polished Stainless Steel; Brushed Brass; Same As Body Finish.
- Please refer to finish samples for more information.
- Items marked with a double asterisk (**) are non-inventoried and are custom built and finished, the Lead Time will be 8-10 weeks.
- Coming soon: please inquire with customer service to confirm availability.

MADISON RANGE HOOD
23" DEEP 30" TALL

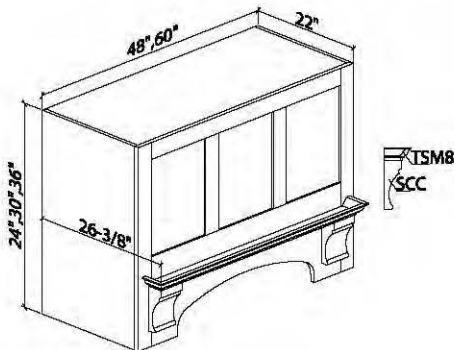


WIDTHS: 48-60

ITEM	G1	G2	G3	G4	G5	G6	G7
MAD4830**	\$7,765	\$N/A	\$N/A	\$N/A	\$N/A	\$N/A	\$N/A
MAD6030**	\$8,500	\$N/A	\$N/A	\$N/A	\$N/A	\$N/A	\$N/A

- Stainless steel construction, 1200 CFM blower included.
- Body Finish Options: Powder Coated White, Metallic Black; Brushed Stainless Steel.
- Trim Options: Polished Stainless Steel; Brushed Brass; Same As Body Finish.
- Please refer to finish samples for more information.
- Items marked with a double asterisk (**) are non-inventoried and are custom built and finished, the Lead Time will be 8-10 weeks.
- Coming soon: please inquire with customer service to confirm availability.

WALL HOOD CONNECTED A
22" DEEP 24" 30" 36" TALL

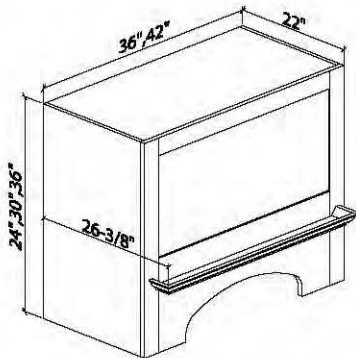


WIDTHS: 48-60

ITEM	G1	G2	G3	G4	G5	G6	G7
WHCA4824**	\$5,069	\$5,575	\$5,854	\$6,082	\$6,203	\$6,513	\$6,839
WHCA6024**	\$6,018	\$6,619	\$6,950	\$7,221	\$7,365	\$7,733	\$8,120
WHCA4830**	\$5,210	\$5,731	\$6,018	\$6,252	\$6,377	\$6,695	\$7,030
WHCA6030**	\$6,318	\$6,950	\$7,298	\$7,582	\$7,734	\$8,119	\$8,526
WHCA4836**	\$5,471	\$6,018	\$6,318	\$6,565	\$6,696	\$7,030	\$7,382
WHCA6036**	\$6,410	\$7,051	\$7,756	\$7,961	\$8,120	\$8,525	\$8,952

- Includes liner.
- Available in all finishes.

WALL HOOD CONNECTED B
22" DEEP 24" 30" 36" TALL

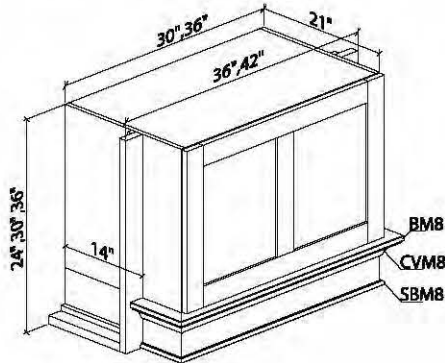


WIDTHS: 36-42

ITEM	G1	G2	G3	G4	G5	G6	G7
WHCB3624**	\$4,560	\$5,015	\$5,517	\$5,591	\$5,713	\$6,001	\$6,304
WHCB4224**	\$4,805	\$5,286	\$5,814	\$5,826	\$5,953	\$6,253	\$6,568
WHCB3630**	\$4,560	\$5,015	\$5,517	\$6,117	\$6,251	\$6,566	\$6,896
WHCB4230**	\$4,805	\$5,286	\$5,814	\$6,423	\$6,563	\$6,894	\$7,241
WHCB3636**	\$4,653	\$5,119	\$5,631	\$6,552	\$6,694	\$7,032	\$7,386
WHCB4236**	\$4,905	\$5,395	\$5,934	\$6,879	\$7,029	\$7,383	\$7,755

- Includes liner.
- Available in all finishes.

WALL HOOD CONNECTED C
21" DEEP 24" 30" 36" TALL

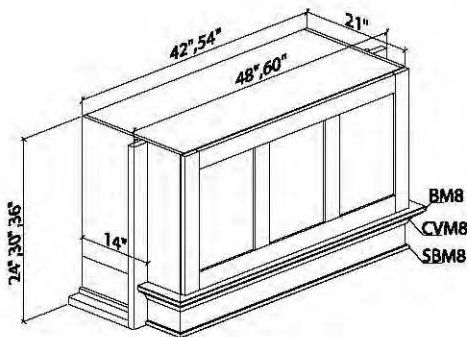


WIDTHS: 36-42

ITEM	G1	G2	G3	G4	G5	G6	G7
WHCC3624**	\$4,662	\$5,180	\$5,439	\$5,711	\$5,825	\$6,051	\$6,354
WHCC4224**	\$4,856	\$5,396	\$5,666	\$5,886	\$6,004	\$6,303	\$6,618
WHCC3630**	\$4,716	\$5,240	\$5,502	\$5,716	\$5,830	\$6,121	\$6,427
WHCC4230**	\$4,910	\$5,455	\$5,728	\$5,952	\$6,071	\$6,373	\$6,692
WHCC3636**	\$4,770	\$5,300	\$5,565	\$5,782	\$5,897	\$6,191	\$6,501
WHCC4236**	\$4,964	\$5,515	\$5,791	\$6,017	\$6,137	\$6,443	\$6,766

- Includes liner.
- Available in all finishes.

WALL HOOD CONNECTED C
21" DEEP 24" 30" 36" TALL



WIDTHS: 48-60

ITEM	G1	G2	G3	G4	G5	G6	G7
WHCC4824**	\$5,018	\$5,575	\$5,854	\$6,083	\$6,204	\$6,513	\$6,839
WHCC6024**	\$5,342	\$5,935	\$6,232	\$6,475	\$6,605	\$6,934	\$7,280
WHCC4830**	\$5,158	\$5,731	\$6,018	\$6,252	\$6,377	\$6,695	\$7,030
WHCC6030**	\$5,396	\$5,995	\$6,295	\$6,540	\$6,671	\$7,004	\$7,354
WHCC4836**	\$5,286	\$5,873	\$6,167	\$6,407	\$6,535	\$6,861	\$7,204
WHCC6036**	\$5,533	\$6,148	\$6,455	\$6,708	\$6,842	\$7,183	\$7,542

- Includes liner.
- Available in all finishes.

9
Wall Hoods

St.Martin

C A B I N E T R Y

Base Cabinets

READING THE CODE

B (base)30 (width)

- Standard base cabinet depth is 23-13/16" unless stated otherwise.

For total depth, add 15/16" which includes the door and bumper thickness.

Standard base cabinet height is 34-1/2" unless stated otherwise.

- You must specify how you would like us to finish your exposed ends.

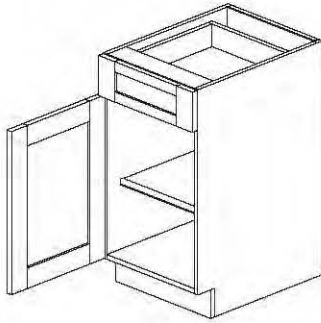
We offer two solutions to finish exposed ends: veneer finished ends that are factory applied and decorative end panels. Common panels used are base end panels and matching base end panels which must be ordered separately and are applied by the installer in the field.

Base veneered finished ends cost \$125.00 list each.

Example: If your base cabinet requires boths ends finished, add \$250.00 list to you order.

See our "Fillers and Panels" section for details.

BASE SINGLE DOOR



WIDTHS: 09-12-15-18-21-24

ITEM	G1	G2	G3	G4	G5	G6	G7
B09L/R	\$648	\$680	\$745	\$749	\$823	\$906	\$996
B12L/R	\$703	\$738	\$808	\$812	\$893	\$983	\$1,081
B15L/R	\$760	\$798	\$874	\$877	\$965	\$1,062	\$1,168
B18L/R	\$811	\$852	\$933	\$937	\$1,030	\$1,133	\$1,247
B21L/R	\$874	\$917	\$1,005	\$1,009	\$1,110	\$1,221	\$1,343
B24L/R	\$930	\$977	\$1,070	\$1,074	\$1,182	\$1,300	\$1,430

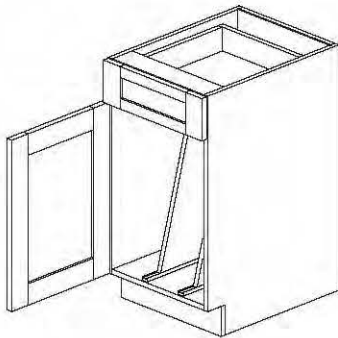
- Modification Options.

DD TKP RTK PTKBK VTK STD VTD FE

- See Modification section for details.

- One adjustable 20-1/4" deep shelf with solid wood edgebanding.

BASE TRAY CABINET



WIDTHS: 09-12-15

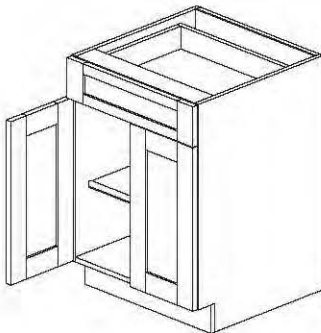
ITEM	G1	G2	G3	G4	G5	G6	G7
BT09L/R**	\$780	\$810	\$850	\$895	\$940	\$990	\$1,050
BT12L/R**	\$870	\$905	\$950	\$1,003	\$1,050	\$1,114	\$1,180
BT15L/R**	\$905	\$940	\$990	\$1,040	\$1,090	\$1,155	\$1,225

- Modification Options.

DD TKP RTK PTKBK VTK STD VTD FE

- See Modification section for details.

BASE DOUBLE DOOR



WIDTHS: 24-27-30-33-36

ITEM	G1	G2	G3	G4	G5	G6	G7
B24	\$1,058	\$1,111	\$1,217	\$1,222	\$1,344	\$1,479	\$1,626
B27	\$1,092	\$1,146	\$1,256	\$1,261	\$1,387	\$1,526	\$1,678
B30	\$1,153	\$1,211	\$1,326	\$1,332	\$1,465	\$1,612	\$1,773
B33	\$1,215	\$1,275	\$1,397	\$1,403	\$1,543	\$1,698	\$1,867
B36	\$1,264	\$1,327	\$1,454	\$1,459	\$1,605	\$1,766	\$1,942

- Modification Options.

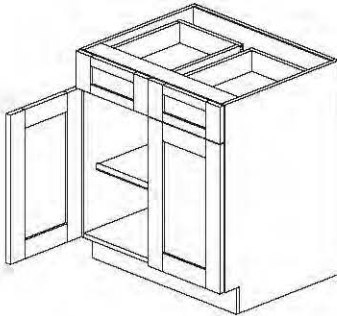
DD TKP RTK PTKBK VTK STD VTD FE

- See Modification section for details.

- One adjustable 20-1/4" deep shelf with solid wood edgebanding.

10
Base Cabinets

BASE DOUBLE DOOR DOUBLE DRAWER



WIDTHS: 30-36

ITEM	G1	G2	G3	G4	G5	G6	G7
B30-2D	\$1,231	\$1,293	\$1,416	\$1,422	\$1,564	\$1,720	\$1,892
B36-2D	\$1,325	\$1,391	\$1,524	\$1,530	\$1,683	\$1,852	\$2,037

- Modification Options.

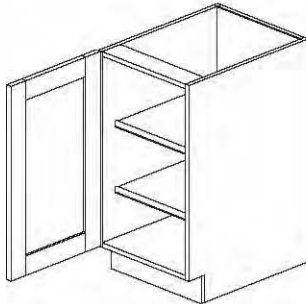
DD TKP RTK PTKBK VTK STD VTD FE

- See Modification section for details.

- Two standard depth drawers.

- One adjustable 20-1/4" deep shelf with solid wood edgebanding.

BASE FULL HEIGHT SINGLE DOOR



WIDTHS: 09-12-15-18-21-24

ITEM	G1	G2	G3	G4	G5	G6	G7
B09FHL/R	\$614	\$645	\$706	\$709	\$780	\$858	\$944
B12FHL/R	\$627	\$658	\$721	\$724	\$796	\$876	\$964
B15FHL/R	\$639	\$671	\$735	\$738	\$812	\$893	\$983
B18FHL/R	\$693	\$728	\$797	\$801	\$881	\$969	\$1,066
B21FHL/R	\$750	\$787	\$863	\$866	\$952	\$1,048	\$1,152
B24FHL/R	\$811	\$852	\$933	\$937	\$1,030	\$1,133	\$1,247

- Modification Options.

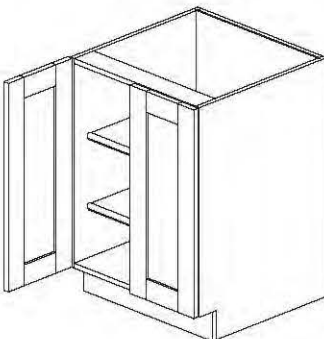
DD TKP RTK PTKBK VTK FE

- See Modification section for details.

- Two adjustable 20-1/4" deep shelf with solid wood edgebanding.

- Full height door.

BASE FULL HEIGHT DOUBLE DOOR



WIDTHS: 24-27-30-33-36

ITEM	G1	G2	G3	G4	G5	G6	G7
B24FH	\$940	\$987	\$1,081	\$1,086	\$1,194	\$1,314	\$1,445
B27FH	\$963	\$1,011	\$1,107	\$1,112	\$1,223	\$1,345	\$1,480
B30FH	\$1,017	\$1,067	\$1,170	\$1,174	\$1,292	\$1,421	\$1,563
B33FH	\$1,082	\$1,136	\$1,244	\$1,249	\$1,374	\$1,512	\$1,663
B36FH	\$1,143	\$1,200	\$1,314	\$1,320	\$1,452	\$1,598	\$1,757

- Modification Options.

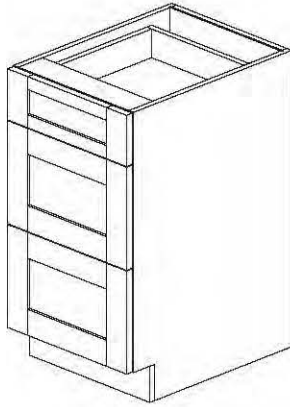
DD TKP RTK PTKBK VTK FE

- See Modification section for details.

- Two adjustable 20-1/4" deep shelf with solid wood edgebanding.

- Full height door.

**BASE THREE DRAWER
(SINGLE TOP DRAWER)**



ITEM	G1	G2	G3	G4	G5	G6	G7
DB12-3	\$985	\$1,034	\$1,133	\$1,138	\$1,251	\$1,377	\$1,514
DB15-3	\$1,008	\$1,058	\$1,159	\$1,164	\$1,281	\$1,409	\$1,550
DB18-3	\$1,035	\$1,087	\$1,190	\$1,195	\$1,315	\$1,446	\$1,591
DB21-3	\$1,073	\$1,127	\$1,234	\$1,239	\$1,363	\$1,500	\$1,650
DB24-3	\$1,104	\$1,159	\$1,270	\$1,275	\$1,403	\$1,543	\$1,697
DB27-3	\$1,198	\$1,258	\$1,378	\$1,384	\$1,522	\$1,674	\$1,842
DB30-3	\$1,231	\$1,293	\$1,416	\$1,422	\$1,564	\$1,720	\$1,892
DB33-3	\$1,265	\$1,328	\$1,455	\$1,461	\$1,607	\$1,768	\$1,945
DB36-3	\$1,299	\$1,364	\$1,494	\$1,500	\$1,650	\$1,815	\$1,997

- Modification Options.

DD TKP RTK PTKBK VTK STD VTD FE

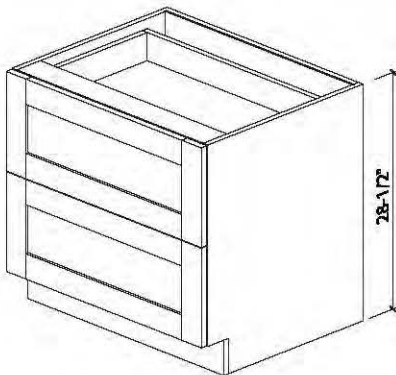
- See Modification section for details

- Two deep drawers.

- Top drawer box is 4" high-standard top drawer height.

WIDTHS: 12-15-18-21-24-27-30-33-36

**BASE POT AND PAN STORAGE
TWO DRAWER 28 1/2" TALL**



ITEM	G1	G2	G3	G4	G5	G6	G7
DB2428 1/2-2**	\$1,108	\$1,163	\$1,274	\$1,280	\$1,408	\$1,549	\$1,703
DB3028 1/2-2	\$1,108	\$1,163	\$1,274	\$1,280	\$1,408	\$1,549	\$1,703
DB3628 1/2-2	\$1,227	\$1,289	\$1,411	\$1,417	\$1,559	\$1,715	\$1,887

- Modification Options.

DD TKP RTK PTKBK VTK STD VTD FE

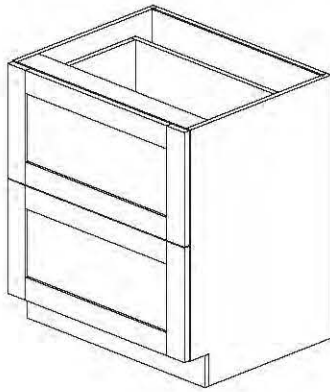
- See Modification section for details.

- Two deep drawers.

- 28" height to accommodate institutional style cooktop.

WIDTHS: 24-30-36

**BASE POT AND PAN STORAGE
TWO DRAWER**



ITEM	G1	G2	G3	G4	G5	G6	G7
DB24-2	\$1,100	\$1,155	\$1,265	\$1,271	\$1,398	\$1,538	\$1,691
DB30-2	\$1,137	\$1,194	\$1,308	\$1,313	\$1,444	\$1,589	\$1,748
DB36-2	\$1,256	\$1,319	\$1,444	\$1,451	\$1,596	\$1,755	\$1,931

- Modification Options.

DD TKP RTK PTKBK VTK STD VTD FE

- See Modification section for details.

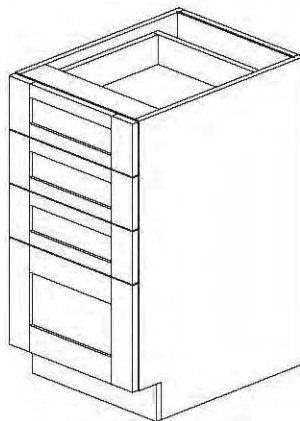
- Two deep drawers.

- Each drawer front is 15" tall.

- This cabinet is the standard 34-1/2" tall.

WIDTHS: 24-30-36

BASE FOUR DRAWER



ITEM	G1	G2	G3	G4	G5	G6	G7
DB12-4	\$1,049	\$1,101	\$1,206	\$1,211	\$1,333	\$1,466	\$1,612
DB15-4	\$1,132	\$1,188	\$1,302	\$1,307	\$1,438	\$1,581	\$1,740
DB18-4	\$1,211	\$1,271	\$1,393	\$1,399	\$1,539	\$1,692	\$1,862
DB21-4	\$1,268	\$1,332	\$1,458	\$1,465	\$1,612	\$1,773	\$1,950
DB24-4	\$1,349	\$1,416	\$1,551	\$1,558	\$1,714	\$1,885	\$2,074
DB27-4	\$1,428	\$1,500	\$1,642	\$1,650	\$1,815	\$1,996	\$2,196
DB30-4	\$1,475	\$1,549	\$1,696	\$1,703	\$1,874	\$2,061	\$2,267
DB36-4	\$1,606	\$1,687	\$1,847	\$1,855	\$2,041	\$2,245	\$2,469

- Modification Options.

DD TKP RTK PTKBK VTK STD VTD FE

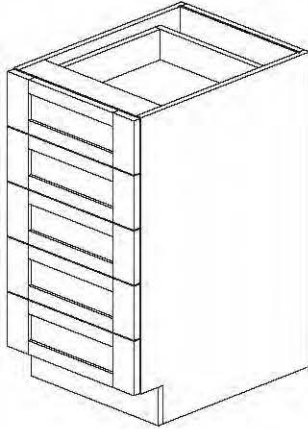
- See Modification section for details.

- Three standard depth drawers.

- One deep drawer.

WIDTHS: 12-15-18-21-24-27-30-36

BASE FIVE DRAWER



ITEM	G1	G2	G3	G4	G5	G6	G7
DB12-5	\$1,275	\$1,338	\$1,472	\$1,546	\$1,701	\$1,871	\$2,058
DB15-5	\$1,362	\$1,430	\$1,573	\$1,651	\$1,816	\$1,998	\$2,198
DB18-5	\$1,484	\$1,558	\$1,714	\$1,800	\$1,980	\$2,178	\$2,396
DB21-5	\$1,559	\$1,637	\$1,800	\$1,890	\$2,079	\$2,287	\$2,516
DB24-5	\$1,676	\$1,760	\$1,936	\$2,033	\$2,236	\$2,460	\$2,706
DB27-5	\$1,796	\$1,885	\$2,074	\$2,178	\$2,395	\$2,635	\$2,898

- Modification Options.

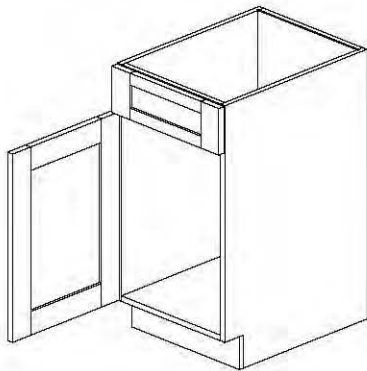
DD TKP RTK PTKBK VTK STD VTD FE

- See Modification section for details.

- Five standard depth drawers.

WIDTHS: 12-15-18-21-24-27

SINK BASE SINGLE AND SINGLE DOOR CABINET



ITEM	G1	G2	G3	G4	G5	G6	G7
SB15L/R	\$684	\$718	\$787	\$790	\$869	\$955	\$1,051
SB18L/R	\$730	\$766	\$840	\$843	\$927	\$1,020	\$1,122
SB21L/R	\$786	\$826	\$904	\$908	\$999	\$1,099	\$1,209
SB24L/R	\$811	\$852	\$933	\$937	\$1,030	\$1,133	\$1,247

- Modification Options.

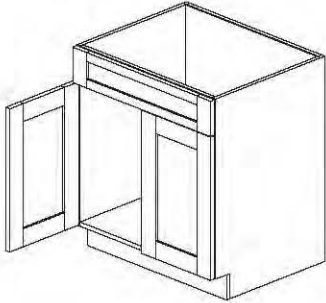
DD TKP RTK PTKBK VTK STD VTD FE

- See Modification section for details.

- False drawer front to accommodate plumbing.

WIDTHS: 15-18-21-24

SINK BASE DOUBLE DOOR



WIDTHS: 24-27-30-33-36

ITEM	G1	G2	G3	G4	G5	G6	G7
SB24	\$827	\$869	\$951	\$956	\$1,051	\$1,156	\$1,272
SB27	\$875	\$919	\$1,006	\$1,011	\$1,112	\$1,223	\$1,345
SB30	\$921	\$967	\$1,059	\$1,064	\$1,171	\$1,288	\$1,416
SB33	\$969	\$1,017	\$1,114	\$1,119	\$1,231	\$1,354	\$1,490
SB36	\$1,012	\$1,062	\$1,164	\$1,168	\$1,285	\$1,414	\$1,555

- Modification Options.

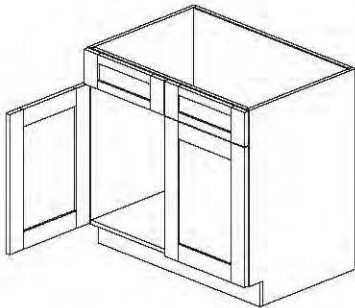
DD TKP RTK PTKBK VTK STD VTD FE

- See Modification section for details.

- No shelf.

- False drawer front to accommodate plumbing.

SINK BASE DOUBLE DOOR



WIDTHS: 39-42

ITEM	G1	G2	G3	G4	G5	G6	G7
SB39	\$1,073	\$1,127	\$1,234	\$1,239	\$1,363	\$1,500	\$1,620
SB42	\$1,123	\$1,179	\$1,291	\$1,297	\$1,427	\$1,570	\$1,695

- Modification Options.

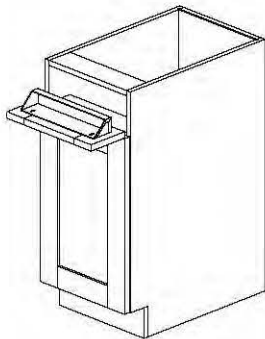
DD TKP RTK PTKBK VTK STD VTD FE

- See Modification section for details.

- No shelf.

- Two false drawer front to accommodate plumbing.

SINK BASE W/TILT-OUT SINGLE DOOR



WIDTHS: 15-18-21-24

ITEM	G1	G2	G3	G4	G5	G6	G7
SB15TTL/R	\$988	\$1,022	\$1,091	\$1,094	\$1,173	\$1,259	\$1,355
SB18TTL/R	\$1,034	\$1,070	\$1,144	\$1,147	\$1,231	\$1,324	\$1,426
SB21TTL/R	\$1,090	\$1,130	\$1,208	\$1,212	\$1,303	\$1,403	\$1,513
SB24TTL/R	\$1,131	\$1,187	\$1,301	\$1,306	\$1,436	\$1,580	\$1,707

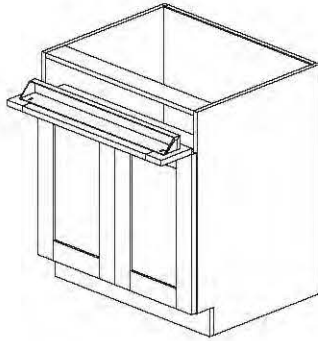
- Modification Options.

DD TKP RTK PTKBK VTK FE

- See Modification section for details.

- Tilt-out drawer front to accommodate plumbing.

SINK BASE W/TILT-OUT DOUBLE DOOR



WIDTHS: 24-27-30-33-36

ITEM	G1	G2	G3	G4	G5	G6	G7
SB24TT	\$1,260	\$1,323	\$1,449	\$1,455	\$1,601	\$1,761	\$1,901
SB27TT	\$1,292	\$1,357	\$1,486	\$1,493	\$1,642	\$1,806	\$1,951
SB30TT	\$1,355	\$1,423	\$1,558	\$1,565	\$1,722	\$1,894	\$2,045
SB33TT	\$1,416	\$1,487	\$1,628	\$1,636	\$1,800	\$1,980	\$2,138
SB36TT	\$1,464	\$1,537	\$1,684	\$1,691	\$1,860	\$2,046	\$2,210

- Modification Options.

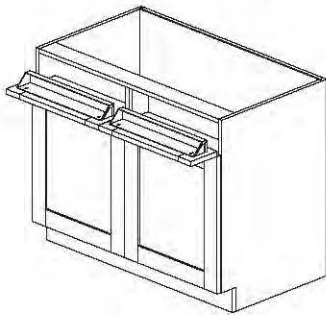
DD TKP RTK PTKBK VTK FE

- See Modification section for details.

- No shelf.

- Tilt-out drawer front to accommodate plumbing.

SINK BASE W/TILT-OUT DOUBLE DOOR



WIDTHS: 39-42

ITEM	G1	G2	G3	G4	G5	G6	G7
SB39TT	\$1,581	\$1,660	\$1,818	\$1,826	\$2,009	\$2,210	\$2,387
SB42TT	\$1,627	\$1,709	\$1,871	\$1,879	\$2,067	\$2,274	\$2,456

- Modification Options.

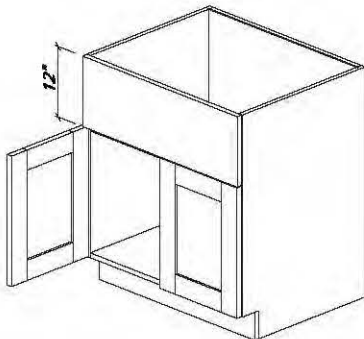
DD TKP RTK PTKBK VTK FE

- See Modification section for details.

- No shelf.

- Two Tilt-out drawer fronts to accommodate plumbing.

FARMHOUSE SINK BASE



WIDTHS: 30-33-36

ITEM	G1	G2	G3	G4	G5	G6	G7
SBF30	\$928	\$974	\$1,067	\$1,072	\$1,179	\$1,297	\$1,427
SBF33	\$980	\$1,029	\$1,127	\$1,132	\$1,245	\$1,369	\$1,506
SBF36	\$1,032	\$1,083	\$1,187	\$1,191	\$1,311	\$1,442	\$1,586

- Modification Options.

DD TKP RTK PTKBK VTK FE

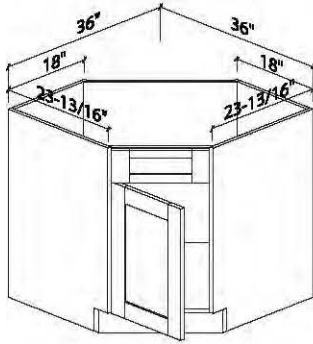
- See Modification section for details.

- No shelf.

- See sink manufacturer's specifications for additional support requirements to be installed in the field.

- Maximum cutout height is 12".

SINK BASE ANGLE



WIDTH: 36

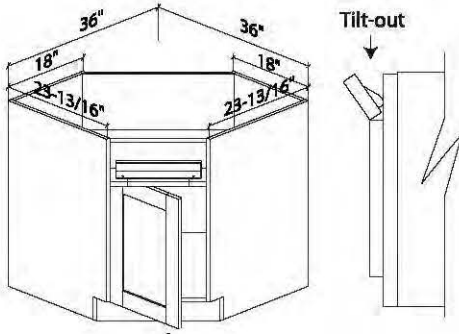
ITEM	G1	G2	G3	G4	G5	G6	G7
SBA36L/R	\$949	\$996	\$1,091	\$1,096	\$1,205	\$1,326	\$1,459

- Modification Options.

VTK FE

- See Modification section for details.
- No shelf.
- False drawer front to accommodate plumbing.
- SBA36 accommodates a single bowl sink.

SINK BASE ANGLE W/TILT-OUT



WIDTH: 36

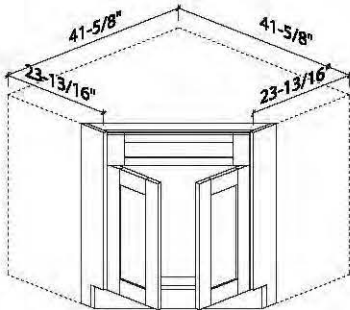
ITEM	G1	G2	G3	G4	G5	G6	G7
SBA36TTL/R	\$1,360	\$1,428	\$1,564	\$1,571	\$1,728	\$1,901	\$2,091

- Modification Options.

VTK FE

- See Modification section for details.
- No shelf.
- False drawer front to accommodate plumbing.
- SBA36TTL/R accommodates a single bowl sink.

SINK FRONT ANGLE DOUBLE DOOR

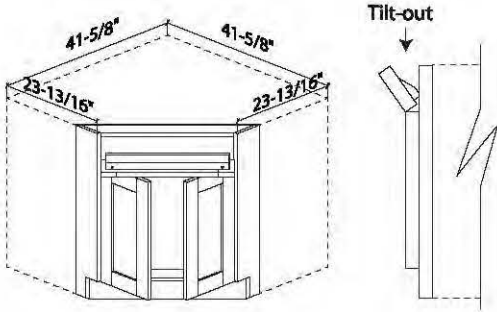


WIDTH: 42

ITEM	G1	G2	G3	G4	G5	G6	G7
SFA42	\$658	\$691	\$760	\$799	\$878	\$966	\$1,063

- No shelf.
- False drawer front to accommodate plumbing.
- SFA42 has 2 door and may accommodate double bowl sinks. Check sink manufacturer's specifications for space requirements.
- FLOOR IS NOT INCLUDED.

**SINK FRONT ANGLE W/TILT
DOUBLE DOOR**

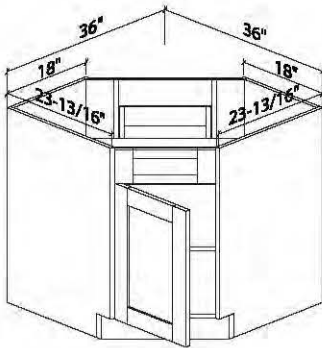


WIDTH: 42

ITEM	G1	G2	G3	G4	G5	G6	G7
SFA42TT	\$1,085	\$1,139	\$1,253	\$1,316	\$1,447	\$1,592	\$1,751

- No shelf.
- False drawer front to accommodate plumbing.
- SFA42TT has 2 door and may accommodate double bowl sinks. Check sink manufacturer's specifications for space requirements.
- FLOOR IS NOT INCLUDED.

BASE ANGLE ONE DRAWER

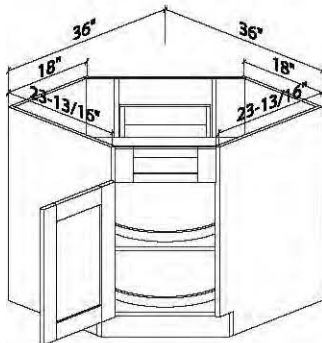


WIDTH: 36

ITEM	G1	G2	G3	G4	G5	G6	G7
BA36L/R	\$2,229	\$2,340	\$2,452	\$2,457	\$2,580	\$2,709	\$2,844

- Modification Options.
- VTK FE
- See Modification section for details.
- One adjustable shelf.

BASE ANGLE ONE DRAWER LAZY SUSANS



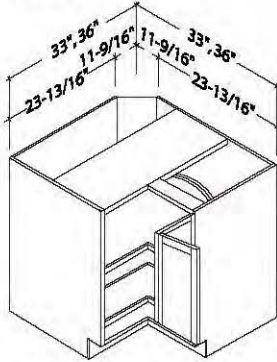
WIDTH: 36

ITEM	G1	G2	G3	G4	G5	G6	G7
BALS36L/R	\$2,436	\$2,557	\$2,680	\$2,685	\$2,820	\$2,961	\$3,109

- Shelf containing lazy susan is adjustable.

10
Base Cabinets

**BASE ANGLE ONE DRAWER
LAZY SUSANS B**



Plywood trays with no center post

WIDTHS: 33-36

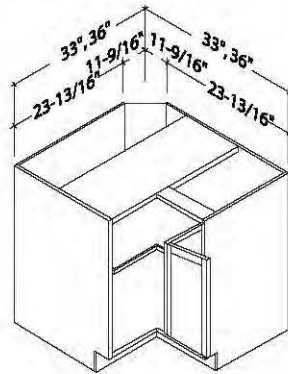
ITEM	G1	G2	G3	G4	G5	G6	G7
BCORS33L/R-B	\$1,986	\$2,085	\$2,284	\$2,294	\$2,523	\$2,725	\$2,943
BCORS36L/R-B	\$1,986	\$2,085	\$2,284	\$2,294	\$2,523	\$2,725	\$2,943

- Modification Options.

RTK VTK FE

- See Modification section for details.
- Doors feature a machine edge where connected to each other.
- Comes with independent soft close mechanism attached to the cabinet.
- Specify L or R hinge.
- "B" series feature wood lazy susan trays attached to shelf.

**BASE CORNER EASY REACH
(NO LAZY SUSAN)**



WIDTHS: 33-36

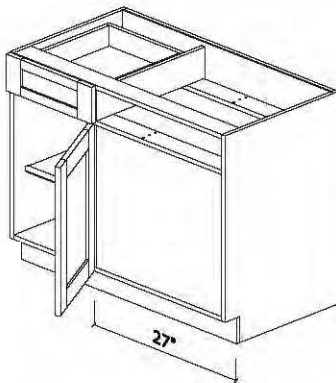
ITEM	G1	G2	G3	G4	G5	G6	G7
EZR33L/R	\$1,842	\$1,934	\$2,118	\$2,128	\$2,341	\$2,528	\$2,730
EZR36L/R	\$1,842	\$1,934	\$2,118	\$2,128	\$2,341	\$2,528	\$2,730

- Modification Options.

RTK VTK FE

- See Modification section for details.
- Doors feature a machine edge where connected to each other.
- Comes with independent soft close mechanism attached to the cabinet.
- Specify L or R hinge.
- Single plywood shelf.

BASE BLIND CORNER



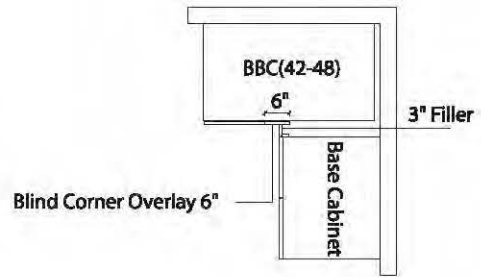
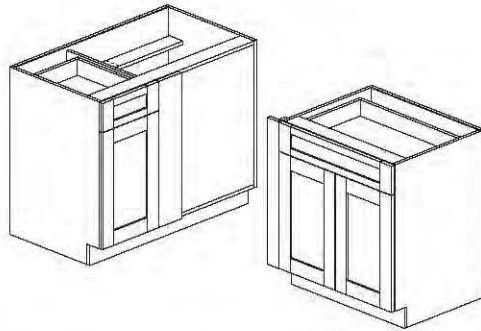
WIDTHS: 42-45, 45-48

ITEM	G1	G2	G3	G4	G5	G6	G7
BBC42-45L/R	\$1,014	\$1,065	\$1,166	\$1,171	\$1,288	\$1,391	\$1,503
BBC45-48L/R	\$1,058	\$1,111	\$1,217	\$1,222	\$1,344	\$1,452	\$1,568

- Modification Options.

DD RTK VTK FE

- See Modification section for details.
- L or R indicates blind side and door hinging.
- Blind corner cabinets feature a 6" overlay filler so that corner is finished.
- Cabinets do not need to be pulled, but can be pulled up to 3 inches.
- Blind area is 27".



- A 6" filler overlay is included with each BBC cabinet ordered.
- You must order and utilize a filler for the adjoining base cabinet.

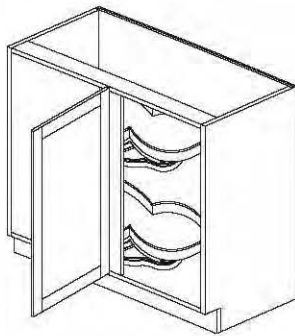
BASE BLIND CORNER FULL HEIGHT WITH MODERN LAZY SUSAN

ITEM	G1	G2	G3	G4	G5	G6	G7
BBC45-48FHL/R	\$2,021	\$2,122	\$2,324	\$2,334	\$2,567	\$2,773	\$2,994

- Modification Options.

RTK VTK FE

- See Modification section for details.
- Specify L or R.
- Melamine trays with stainless edge rail treatment.



WIDTH: 45-48

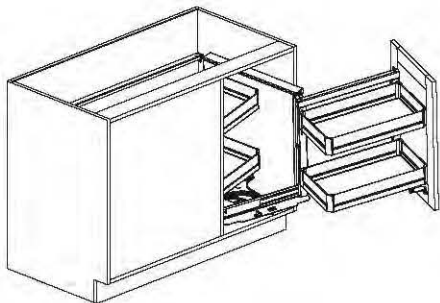
BASE BLIND CORNER FULL HEIGHT WITH MODERN LAZY SUSAN B

ITEM	G1	G2	G3	G4	G5	G6	G7
BBC45-48FHL/R-B	\$2,021	\$2,122	\$2,324	\$2,334	\$2,567	\$2,773	\$2,994

- Modification Options.

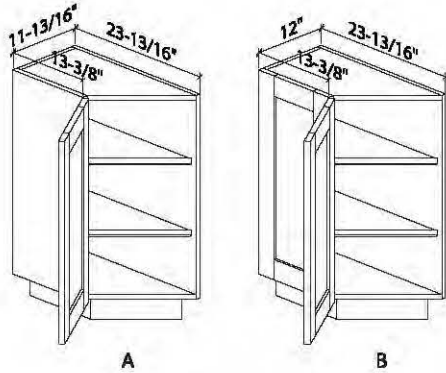
RTK VTK FE

- See Modification section for details.
- Specify L or R.
- Melamine trays with stainless edge rail treatment.



WIDTH: 45-48

BASE END CABINET

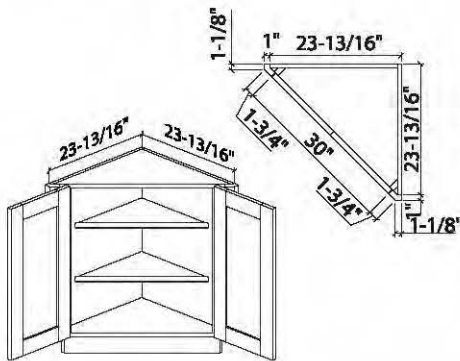


WIDTH: 12

ITEM	G1	G2	G3	G4	G5	G6	G7
BEC1224L/R-A	\$855	\$898	\$983	\$987	\$1,086	\$1,173	\$1,267
BEC1224L/R-B	\$940	\$987	\$1,081	\$1,086	\$1,194	\$1,290	\$1,393

- Specify L or R.
- A option features a flush finished side.
- B option features a matching finished side.
- Left is pictured.

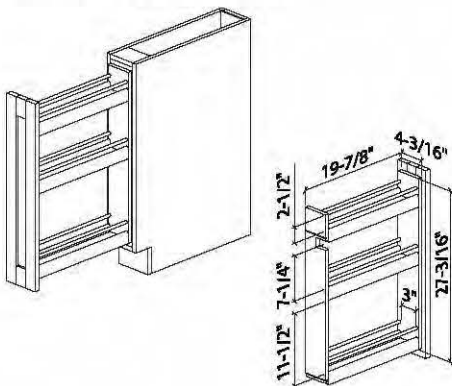
BASE END ANGLE CABINET



WIDTH: 24

ITEM	G1	G2	G3	G4	G5	G6	G7
BECA24	\$1,462	\$1,535	\$1,681	\$1,688	\$1,857	\$2,005	\$2,166

BASE PANTRY PULLOUT B

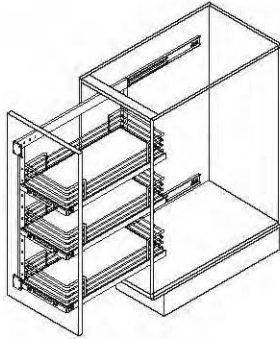


WIDTH: 6

ITEM	G1	G2	G3	G4	G5	G6	G7
BPP06-B	\$846	\$888	\$973	\$977	\$1,075	\$1,161	\$1,254

- Modification Options.
RTK VTK FE
- See Modification section for details.
- Three fixed wood shelves attached to a full height door.
- Unit slides on heavy duty full extension runners with an integrated soft close mechanism.

BASE PANTRY PULLOUT



WIDTHS: 9-12

ITEM	G1	G2	G3	G4	G5	G6	G7
BPP09L/R	\$894	\$938	\$1,028	\$1,032	\$1,136	\$1,226	\$1,324
BPP12L/R	\$943	\$990	\$1,084	\$1,089	\$1,198	\$1,293	\$1,397

- Modification Options.

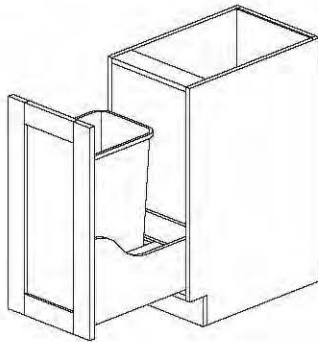
TKP RTK VTK FE

- See Modification section for details.

- Three fixed wood shelves attached to a full height door.

- Unit slides on heavy duty full extension runners with an integrated soft close mechanism.

BASE WASTEBASKET CABINET FH



WIDTH: 15

ITEM	G1	G2	G3	G4	G5	G6	G7
BWB15FH	\$1,345	\$1,413	\$1,554	\$1,569	\$1,726	\$1,813	\$1,994

- Modification Options.

TKP RTK VTK FE

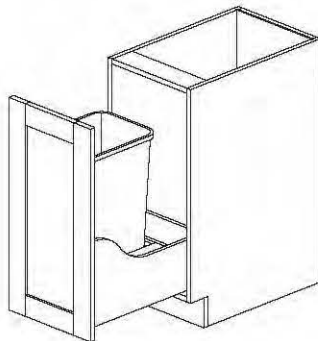
- See Modification section for details.

- 1 50-quart container included.

- Container rests in a solid maple frame and is easily removable for cleaning.

- Frame utilizes undermount full extension soft close slides.

BASE WASTEBASKET CABINET FH



WIDTH: 18

ITEM	G1	G2	G3	G4	G5	G6	G7
BWB18FH	\$1,380	\$1,449	\$1,594	\$1,610	\$1,771	\$1,860	\$2,045

- Modification Options.

TKP RTK VTK FE

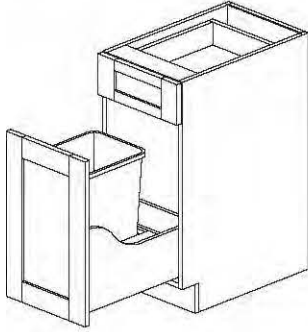
- See Modification section for details.

- 2 50-quart containers included.

- Container rests in a solid maple frame and is easily removable for cleaning.

- Frame utilizes undermount full extension soft close slides.

BASE WASTEBASKET CABINET



WIDTHS: 15

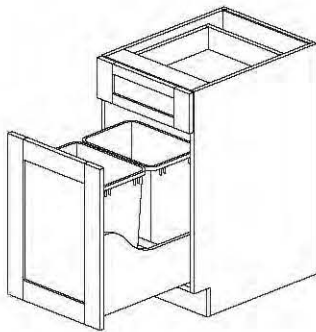
ITEM	G1	G2	G3	G4	G5	G6	G7
BWB15	\$1,373	\$1,441	\$1,579	\$1,585	\$1,744	\$1,883	\$2,034

- Modification Options.

TKP RTK VTK FE

- See Modification section for details.
- 1 35-quart container included.
- Container rests in a solid maple frame and is easily removable for cleaning.
- Frame utilizes undermount full extension soft close slides.

BASE WASTEBASKET CABINET



WIDTHS: 18-21

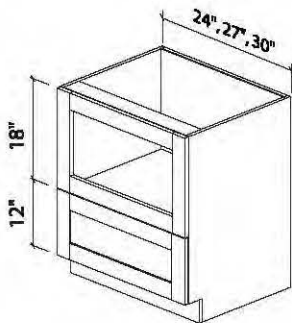
ITEM	G1	G2	G3	G4	G5	G6	G7
BWB18	\$1,419	\$1,490	\$1,632	\$1,639	\$1,803	\$1,947	\$2,103
BWB21	\$1,561	\$1,639	\$1,795	\$1,803	\$1,983	\$2,141	\$2,313

- Modification Options.

TKP RTK VTK FE

- See Modification section for details.
- 2 35-quart containers included.
- Container rests in a solid maple frame and is easily removable for cleaning.
- Frame utilizes undermount full extension soft close slides.

BASE MICROWAVE CABINET



12" drawer face and solid wood open frame

WIDTHS: 24-27-30

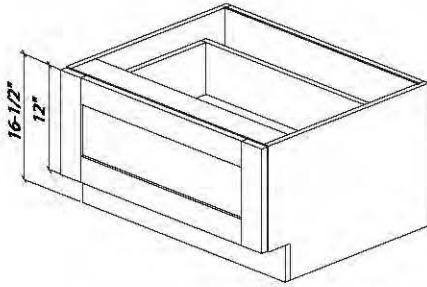
ITEM	G1	G2	G3	G4	G5	G6	G7
BMC24DD	\$1,002	\$1,052	\$1,152	\$1,157	\$1,272	\$1,374	\$1,484
BMC27DD	\$1,053	\$1,106	\$1,211	\$1,216	\$1,338	\$1,445	\$1,560
BMC30DD	\$1,103	\$1,158	\$1,268	\$1,274	\$1,401	\$1,514	\$1,635

- Modification Options.

TKP RTK VTK FE

- See Modification section for details.
- DD Microwave cabinets feature a 3" solid wood frame. They can be ordered with exact cutout dimensions at additional cost. Please call for details.
- BMCDD Cabinets feature one 12" lower drawer.

PEDESTAL DRAWER



WIDTHS: 24-27-3-36

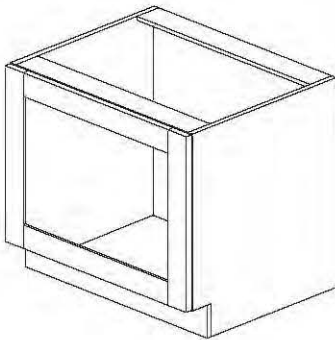
ITEM	G1	G2	G3	G4	G5	G6	G7
PSD24**	\$995	\$1,045	\$1,144	\$1,150	\$1,265	\$1,366	\$1,475
PSD27**	\$1,129	\$1,186	\$1,298	\$1,304	\$1,435	\$1,550	\$1,674
PSD30**	\$1,264	\$1,327	\$1,454	\$1,459	\$1,605	\$1,734	\$1,872
PSD36**	\$1,383	\$1,452	\$1,590	\$1,597	\$1,757	\$1,897	\$2,049

- Modification Options.

DD TKP RTK VTK FE

- 24" wide unit will house a single drawer dishwasher when installed between two cabinets.

BASE OVEN CABINET



WIDTH: 30

ITEM	G1	G2	G3	G4	G5	G6	G7
BOV30	\$1,141	\$1,198	\$1,312	\$1,317	\$1,449	\$1,565	\$1,690

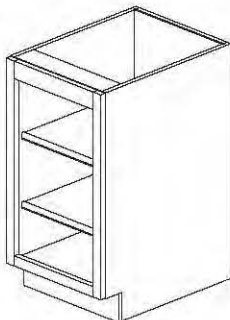
- Modification Options.

DD TKP RTK PTKBK VTK

- See Modification section for details.

- BOV cabinets feature a 3" solid wood frame. They can be ordered with exact cutout dimensions at additional cost. Please call for details.

BASE OPEN CABINET



With Straight Valance

WIDTHS: 18-24

ITEM	G1	G2	G3	G4	G5	G6	G7
BOC18S**	\$758	\$758	\$833	\$917	\$1,008	\$1,008	\$1,008
BOC24S**	\$848	\$848	\$932	\$1,025	\$1,128	\$1,128	\$1,128

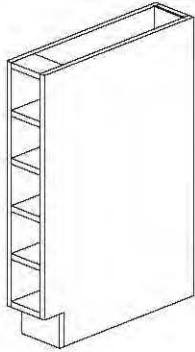
- Modification Options.

DD TKP RTK PTKBK VTK

- See Modification section for details.

- Also available in custom sizes.

BASE WINE RACK



WIDTH:6

ITEM	G1	G2	G3	G4	G5	G6	G7
BWR06	\$546	\$546	\$601	\$601	\$661	\$714	\$771

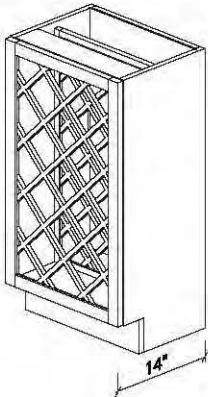
- Modification Options.

VTK

- See Modification section for details.

- 3/4" plywood construction with fixed shelves.

BASE WINE RACK 13" DEEP



WIDTH:18

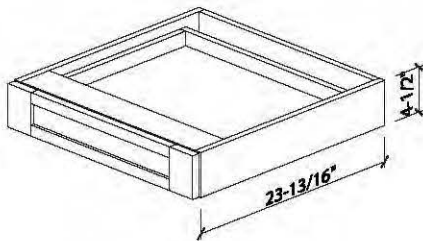
ITEM	G1	G2	G3	G4	G5	G6	G7
BWRA18	\$490	\$490	\$539	\$593	\$652	\$652	\$652

- Modification Options.

TKP RTK PTKBK VTK

- 14" deep with frame.

DESK KNEE DRAWER CABINET



WIDTHS:30-36

ITEM	G1	G2	G3	G4	G5	G6	G7
DKD3024	\$678	\$712	\$780	\$783	\$862	\$948	\$1,024
DKD3624	\$716	\$751	\$823	\$827	\$909	\$1,000	\$1,080

- Unit is designed for use between two base, desk or tall cabinets.

- Office cabinets come standard with finished sides.

St.Martin

C A B I N E T R Y

Tall Cabinets

READING THE CODE

PC (code)30 (width) 84(height) 24 (depth)

- Standard cabinet depth is 23-13/16" unless stated otherwise.

For total depth, add 15/16" which includes the door and bumper thickness.

- You must specify how you would like us to finish your exposed ends.

We offer two solutions to finish exposed ends: veneer finished ends that are factory applied and decorative end panels. Common panels used are tall end panels and matching tall end panels which must be ordered separately and are applied by the installer in the field.

Tall veneered finished ends cost \$225.00 list each.

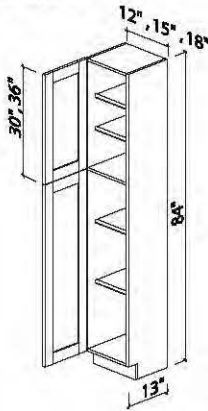
Example: If your tall cabinet requires boths end finished, add \$450.00 list to you order.

See our "Fillers and Panels" section for details.

87 Schuylkill Street, Cressona, PA, 17929

Tel: 570-593-8596 Fax: 570-593-8066 / www.StmartinCabinetry.com

**PANTRY CABINET SINGLE DOOR
13" DEEP 84" TALL**



WIDTHS: 12-15-18-24

ITEM	G1	G2	G3	G4	G5	G6	G7
PC128413L/R**	\$1,269	\$1,332	\$1,459	\$1,465	\$1,612	\$1,741	\$1,880
PC158413L/R**	\$1,296	\$1,361	\$1,490	\$1,497	\$1,647	\$1,778	\$1,921
PC188413L/R	\$1,322	\$1,389	\$1,520	\$1,527	\$1,680	\$1,815	\$1,960

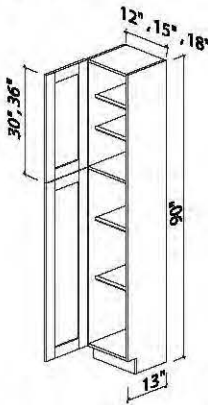
- Modification Options.

DD TKP RTK PTKBK VTK FE

- See Modification section for details.

- Two adjustable shelves in upper section, two in the bottom.

**PANTRY CABINET SINGLE DOOR
13" DEEP 90" TALL**



WIDTHS: 12-15-18-24

ITEM	G1	G2	G3	G4	G5	G6	G7
PC129013L/R**	\$1,522	\$1,598	\$1,750	\$1,758	\$1,933	\$2,088	\$2,255
PC159013L/R**	\$1,554	\$1,632	\$1,787	\$1,795	\$1,975	\$2,133	\$2,303
PC189013L/R	\$1,587	\$1,666	\$1,825	\$1,833	\$2,016	\$2,177	\$2,352

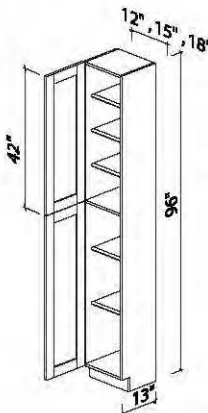
- Modification Options.

DD TKP RTK PTKBK VTK FE

- See Modification section for details.

- Two adjustable shelves in upper section, two in the bottom.

**PANTRY CABINET SINGLE DOOR
13" DEEP 96" TALL**



WIDTHS: 12-15-18-24

ITEM	G1	G2	G3	G4	G5	G6	G7
PC129613L/R**	\$1,641	\$1,723	\$1,887	\$1,895	\$2,085	\$2,251	\$2,432
PC159613L/R**	\$1,673	\$1,757	\$1,924	\$1,933	\$2,126	\$2,296	\$2,480
PC189613L/R	\$1,709	\$1,794	\$1,965	\$1,973	\$2,171	\$2,344	\$2,532

- Modification Options.

DD TKP RTK PTKBK VTK FE

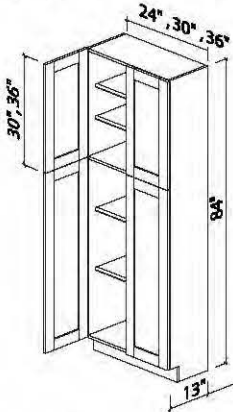
- See Modification section for details.

- Three adjustable shelves in upper section, two in the bottom.

- 96" Tall cabinets may be ordered with toe kick space removed specify when ordering.

11
Tall Cabinets

PANTRY CABINET DOUBLE DOOR
13" DEEP 84" TALL



WIDTHS: 24-30-36

ITEM	G1	G2	G3	G4	G5	G6	G7
PC248413**	\$2,215	\$2,326	\$2,547	\$2,558	\$2,814	\$3,039	\$3,282
PC308413**	\$2,260	\$2,373	\$2,599	\$2,610	\$2,871	\$3,101	\$3,349
PC368413	\$2,306	\$2,422	\$2,652	\$2,664	\$2,930	\$3,165	\$3,418

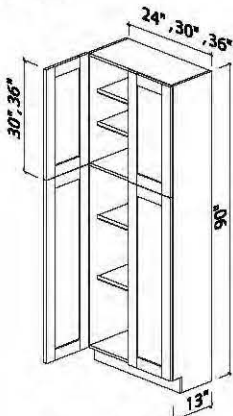
- Modification Options.

DD TKP RTK PTKBK VTK FE

- See Modification section for details.

- Two adjustable shelves in upper section, two in the bottom.

PANTRY CABINET DOUBLE DOOR
13" DEEP 90" TALL



WIDTHS: 24-30-36

ITEM	G1	G2	G3	G4	G5	G6	G7
PC249013**	\$2,641	\$2,773	\$3,037	\$3,050	\$3,356	\$3,624	\$3,914
PC309013**	\$2,696	\$2,831	\$3,100	\$3,114	\$3,426	\$3,700	\$3,996
PC369013	\$2,753	\$2,890	\$3,166	\$3,179	\$3,497	\$3,777	\$4,079

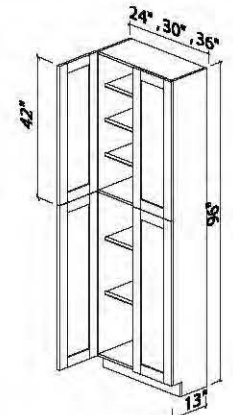
- Modification Options.

DD TKP RTK PTKBK VTK FE

- See Modification section for details.

- Two adjustable shelves in upper section, two in the bottom.

PANTRY CABINET DOUBLE DOOR
13" DEEP 96" TALL



WIDTHS: 24-30-36

ITEM	G1	G2	G3	G4	G5	G6	G7
PC249613**	\$2,789	\$2,928	\$3,207	\$3,221	\$3,543	\$3,827	\$4,133
PC309613**	\$2,847	\$2,989	\$3,274	\$3,288	\$3,617	\$3,906	\$4,219
PC369613	\$2,906	\$3,051	\$3,342	\$3,356	\$3,692	\$3,987	\$4,306

- Modification Options.

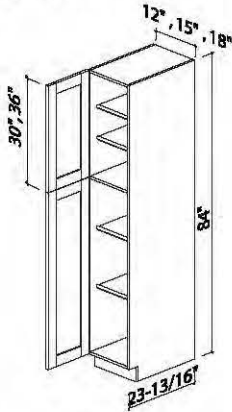
DD TKP RTK PTKBK VTK FE

- See Modification section for details.

- Three adjustable shelves in upper section, two in the bottom.

- 96" Tall cabinets may be ordered with toe kick space removed specify when ordering.

**PANTRY CABINET SINGLE DOOR
24" DEEP 84" TALL**



WIDTHS: 12-15-18

ITEM	G1	G2	G3	G4	G5	G6	G7
PC1284L/R**	\$1,505	\$1,581	\$1,731	\$1,739	\$1,913	\$2,066	\$2,231
PC1584L/R	\$1,536	\$1,612	\$1,766	\$1,774	\$1,951	\$2,107	\$2,276
PC1884L/R	\$1,606	\$1,686	\$1,847	\$1,855	\$2,040	\$2,203	\$2,380

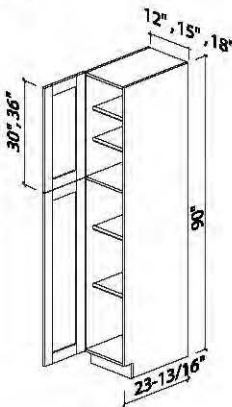
- Modification Options.

DD TKP RTK PTKBK VTK FE

- See Modification section for details.

- Two adjustable shelves in upper section, two in the bottom.

**PANTRY CABINET SINGLE DOOR
24" DEEP 90" TALL**



WIDTHS: 12-15-18

ITEM	G1	G2	G3	G4	G5	G6	G7
PC1290L/R**	\$1,799	\$1,889	\$2,069	\$2,078	\$2,285	\$2,468	\$2,666
PC1590L/R	\$1,836	\$1,928	\$2,111	\$2,121	\$2,333	\$2,520	\$2,721
PC1890L/R	\$1,969	\$2,068	\$2,264	\$2,274	\$2,502	\$2,702	\$2,918

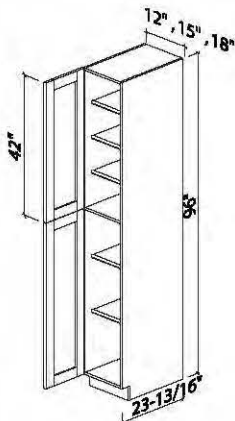
- Modification Options.

DD TKP RTK PTKBK VTK FE

- See Modification section for details.

- Two adjustable shelves in upper section, two in the bottom.

**PANTRY CABINET SINGLE DOOR
24" DEEP 96" TALL**



WIDTHS: 12-15-18

ITEM	G1	G2	G3	G4	G5	G6	G7
PC1296L/R**	\$1,846	\$1,939	\$2,123	\$2,133	\$2,346	\$2,534	\$2,736
PC1596L/R	\$1,885	\$1,980	\$2,168	\$2,177	\$2,395	\$2,587	\$2,794
PC1896L/R	\$1,895	\$2,085	\$2,294	\$2,388	\$2,627	\$2,837	\$3,064

- Modification Options.

DD TKP RTK PTKBK VTK FE

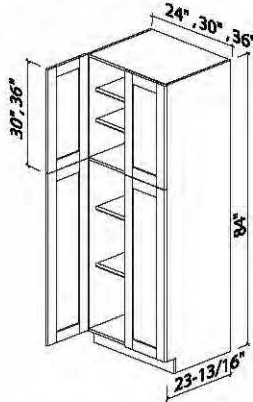
- See Modification section for details.

- Three adjustable shelves in upper section, two in the bottom.

- 96" Tall cabinets may be ordered with toe kick space removed specify when ordering.

11
Tall Cabinets

PANTRY CABINET DOUBLE DOOR
24" DEEP 84" TALL



WIDTHS: 24-30-36

ITEM	G1	G2	G3	G4	G5	G6	G7
PC2484	\$2,570	\$2,698	\$2,956	\$2,968	\$3,265	\$3,526	\$3,808
PC3084	\$2,740	\$2,877	\$3,151	\$3,165	\$3,481	\$3,760	\$4,061
PC3684	\$2,810	\$2,951	\$3,232	\$3,246	\$3,571	\$3,856	\$4,165

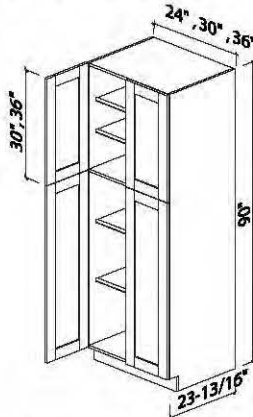
- Modification Options.

DD TKP RTK PTKBK VTK FE

- See Modification section for details.

- Two adjustable shelves in upper section, two in the bottom.

PANTRY CABINET DOUBLE DOOR
24" DEEP 90" TALL



WIDTHS: 24-30-36

ITEM	G1	G2	G3	G4	G5	G6	G7
PC2490	\$2,914	\$3,060	\$3,351	\$3,366	\$3,703	\$3,999	\$4,319
PC3090	\$3,031	\$3,183	\$3,486	\$3,501	\$3,851	\$4,159	\$4,492
PC3690	\$3,069	\$3,222	\$3,529	\$3,544	\$3,899	\$4,211	\$4,547

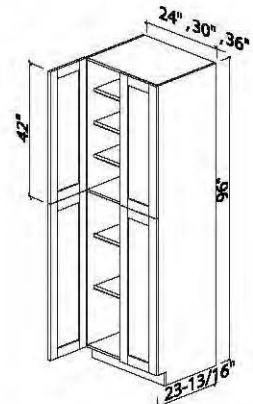
- Modification Options.

DD TKP RTK PTKBK VTK FE

- See Modification section for details.

- Two adjustable shelves in upper section, two in the bottom.

PANTRY CABINET DOUBLE DOOR
24" DEEP 96" TALL



WIDTHS: 24-30-36

ITEM	G1	G2	G3	G4	G5	G6	G7
PC2496	\$3,043	\$3,196	\$3,499	\$3,515	\$3,867	\$4,176	\$4,510
PC3096	\$3,124	\$3,280	\$3,593	\$3,608	\$3,969	\$4,286	\$4,629
PC3696	\$3,204	\$3,364	\$3,685	\$3,701	\$4,071	\$4,396	\$4,748

- Modification Options.

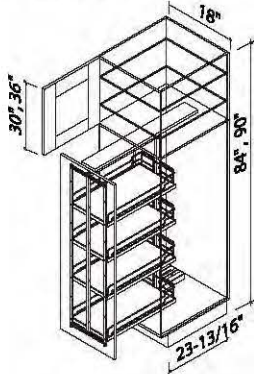
DD TKP RTK PTKBK VTK FE

- See Modification section for details.

- Three adjustable shelves in upper section, two in the bottom.

- 96" Tall cabinets may be ordered with toe kick space removed specify when ordering.

**PANTRY STORAGE FOOD STORAGE
SINGLE PANEL DOOR
24" DEEP 84", 90" TALL**



WIDTH: 18

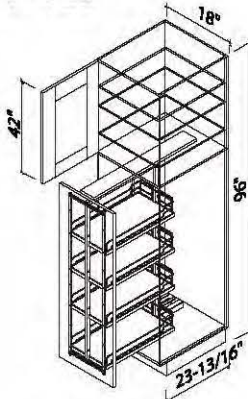
ITEM	G1	G2	G3	G4	G5	G6	G7
PS1884FSL/R	\$2,243	\$2,319	\$2,467	\$2,481	\$2,658	\$2,814	\$2,983
PS1890FSL/R	\$2,676	\$2,775	\$2,944	\$2,981	\$3,209	\$3,409	\$3,625

- Modification Options.

TKP RTK PTKBK VTK FE

- See Modification section for details.
- Four metal shelves fixed to a full height door on soft glide tracks.
- Top section has two shelves.

**PANTRY STORAGE FOOD STORAGE
SINGLE PANEL DOOR
24" DEEP 96" TALL**



WIDTH: 18

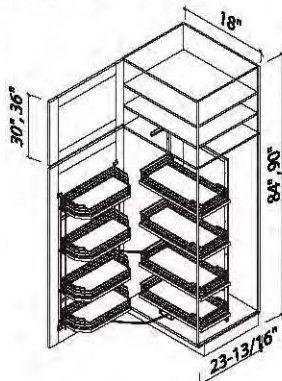
ITEM	G1	G2	G3	G4	G5	G6	G7
PS1896FSL/R	\$2,775	\$2,878	\$3,053	\$3,095	\$3,334	\$3,544	\$3,771

- Modification Options.

TKP RTK PTKBK VTK FE

- See Modification section for details.
- Four metal shelves fixed to a full height door on soft glide tracks.
- Top section has three shelves.

**PANTRY STORAGE DOUBLE FOOD
STORAGE SINGLE DOOR
24" DEEP 84", 90" TALL**



WIDTH: 18

ITEM	G1	G2	G3	G4	G5	G6	G7
PS1884FS2L/R	\$2,654	\$2,734	\$2,787	\$2,903	\$3,088	\$3,251	\$3,428
PS1890FS2L/R	\$3,017	\$3,116	\$3,319	\$3,322	\$3,550	\$3,750	\$3,966

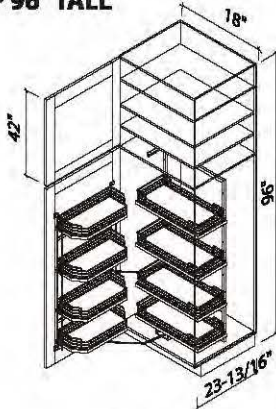
- Modification Options.

TKP RTK PTKBK VTK FE

- See Modification section for details.
- Four metal shelves fixed to a full height door and four metal shelves inside the cabinet.
- Top section has two shelves.

11
Tall Cabinets

PANTRY STORAGE DOUBLE FOOD STORAGE SINGLE DOOR
24" DEEP 96" TALL



WIDTH: 18

ITEM	G1	G2	G3	G4	G5	G6	G7
PS1896FS2L/R	\$3,116	\$3,219	\$3,428	\$3,436	\$3,675	\$3,885	\$4,112

- Modification Options.

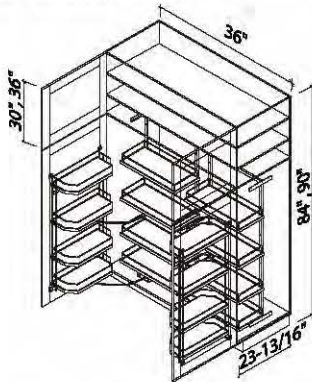
TKP RTK PTKBK VTK FE

- See Modification section for details.

- Four metal shelves fixed to a full height door and four metal shelves inside the cabinet.

- Top section has three shelves.

PANTRY STORAGE QUAD FOOD STORAGE DOUBLE DOOR
24" DEEP 84", 90" TALL



WIDTH: 36

ITEM	G1	G2	G3	G4	G5	G6	G7
PS3684FS4	\$4,906	\$5,047	\$5,151	\$5,342	\$5,667	\$5,952	\$6,261
PS3690FS4	\$5,165	\$5,318	\$5,423	\$5,640	\$5,995	\$6,307	\$6,643

- Modification Options.

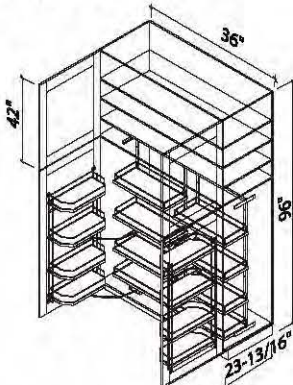
TKP RTK PTKBK VTK FE

- See Modification section for details.

- Four metal shelves fixed to a full height door and four metal shelves inside the cabinet.

- Top section has two shelves.

PANTRY STORAGE QUAD FOOD STORAGE DOUBLE DOOR
24" DEEP 96" TALL



WIDTH: 36

ITEM	G1	G2	G3	G4	G5	G6	G7
PS3696FS4	\$5,300	\$5,460	\$5,565	\$5,797	\$6,167	\$6,492	\$6,844

- Modification Options.

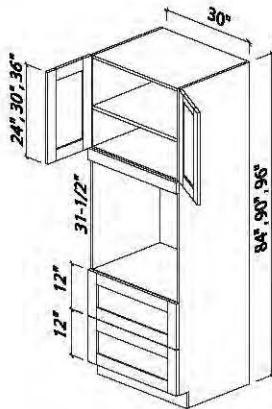
TKP RTK PTKBK VTK FE

- See Modification section for details.

- Four metal shelves fixed to a full height door and four metal shelves inside the cabinet.

- Top section has three shelves.

OVEN CABINET SINGLE



WIDTH: 30

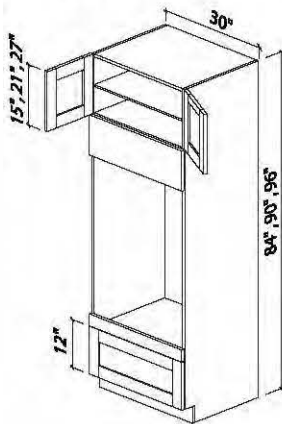
ITEM	G1	G2	G3	G4	G5	G6	G7
OVS3084	\$2,350	\$2,468	\$2,703	\$2,715	\$2,986	\$3,285	\$3,547
OVS3090	\$2,616	\$2,747	\$3,008	\$3,022	\$3,324	\$3,656	\$3,949
OVS3096	\$2,729	\$2,865	\$3,138	\$3,152	\$3,467	\$3,814	\$4,119

- Modification Options.

TKP RTK PTKBK VTK FE

- See Modification section for details.
- Top has sheet divider, bottom has two drawers.
- 3" filler can be used for adjusting oven height.
- Maximum height for the oven 31-1/2"
- Minimum height for the oven 28-1/2".
- Frame with exact cutout can be ordered-\$400.

OVEN CABINET DOUBLE



WIDTHS: 30

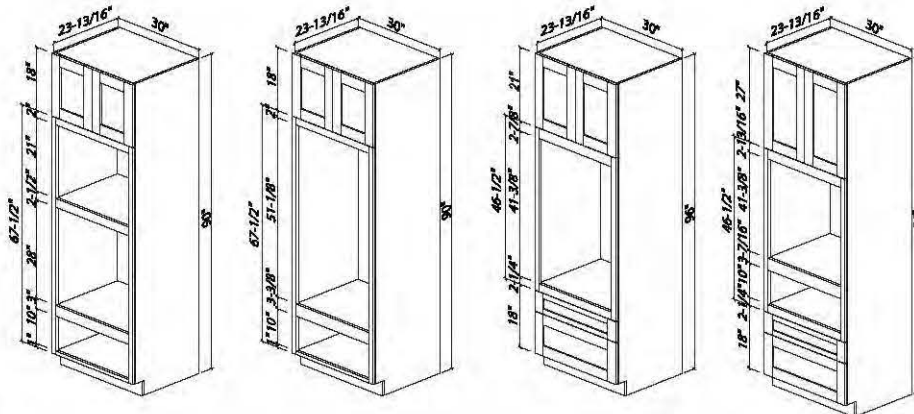
ITEM	G1	G2	G3	G4	G5	G6	G7
OVD3084	\$2,108	\$2,214	\$2,424	\$2,435	\$2,679	\$2,947	\$3,182
OVD3090	\$2,473	\$2,597	\$2,844	\$2,856	\$3,142	\$3,456	\$3,733
OVD3096	\$2,620	\$2,751	\$3,013	\$3,026	\$3,328	\$3,661	\$3,954

- Modification Options.

TKP RTK PTKBK VTK FE

- See Modification section for details.
- Top has sheet divider, bottom has two drawers.
- 3" and 10" filler can be used for adjusting oven height.
- Maximum height for the oven 52-1/2"
- Minimum height for the oven 39-1/2".
- Frame with exact cutout can be ordered-\$400.

11
Tall Cabinets



CUSTOM SHOP
Special Order Cabinetry

- These are some examples of how our oven cabinets may be modified to contain multiple appliances.
For a quote, please specify door style, finish and height of cabinet, as well as makes and model numbers of the appliances.

St.Martin

C A B I N E T R Y

Accessories

READING THE CODE

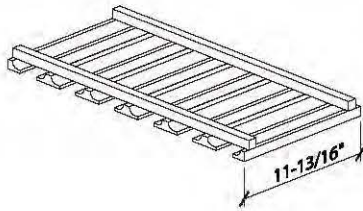
SGH (code)30 (width)

- We offer several accessories to add functionality and beauty to your kitchen.

87 Schuylkill Street, Cressona, PA, 17929

Tel: 570-593-8596 Fax: 570-593-8066 / www.StmartinCabinetry.com

STEM GLASS HOLDER

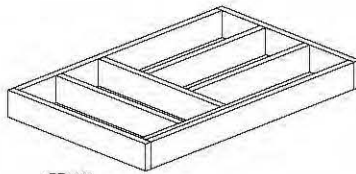


ITEM	G1	G2	G3	G4	G5	G6	G7
SGH24	\$314	\$314	\$345	\$345	\$518	\$518	\$518
SGH30	\$344	\$344	\$378	\$378	\$567	\$567	\$567
SGH36	\$382	\$382	\$420	\$420	\$630	\$630	\$630

- Solid wood.
- Mounts to bottom of wall cabinets.
- Trimmable.

WIDTHS: 24-30-36

CUTLERY DIVIDER

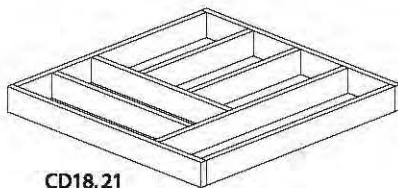


CD15

ITEM	G1	G2	G3	G4	G5	G6	G7
CD15	\$104	\$104	\$104	\$104	\$104	\$104	\$104

- Solid wood.
- Fits 15" drawer.
- For B27 use 2 CD15.
- For B30 use 1 CD15 & 1 CD18.

CUTLERY DIVIDER

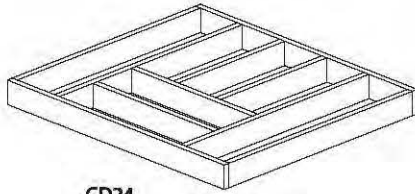


CD18,21

ITEM	G1	G2	G3	G4	G5	G6	G7
CD18	\$108	\$108	\$108	\$108	\$108	\$108	\$108
CD21	\$116	\$116	\$116	\$116	\$116	\$116	\$116

- Solid wood.
- Fits 18", 21" drawer.
- For B33 use 2 CD18.
- For B36 use 1 CD18 & 1 CD21.

CUTLERY DIVIDER

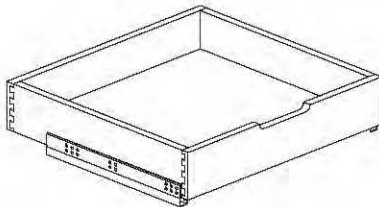


CD24

ITEM	G1	G2	G3	G4	G5	G6	G7
CD24	\$192	\$192	\$192	\$192	\$192	\$192	\$192

- Solid wood.
- Fits 24" drawer.

ROLL OUT TRAY KIT 4" HEIGHT B



WIDTHS: 12-15-18-21-24-27-30-33-36

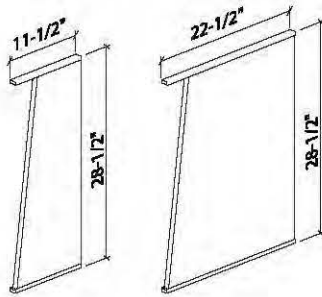
ITEM	G1	G2	G3	G4	G5	G6	G7
ROTD12B	\$275	\$275	\$275	\$275	\$275	\$275	\$275
ROTD15B	\$285	\$285	\$285	\$285	\$285	\$285	\$285
ROTD18B	\$295	\$295	\$295	\$295	\$295	\$295	\$295
ROTD21B	\$305	\$305	\$305	\$305	\$305	\$305	\$305
ROTD24B	\$316	\$316	\$316	\$316	\$316	\$316	\$316
ROTD27B	\$325	\$325	\$325	\$325	\$325	\$325	\$325
ROTD30B	\$336	\$336	\$336	\$336	\$336	\$336	\$336
ROTD33B	\$347	\$347	\$347	\$347	\$347	\$347	\$347
ROTD36B	\$357	\$357	\$357	\$357	\$357	\$357	\$357

- Modification Options.

DD

- See Modification section for details.
- Solid wood, tray is 20" deep.
- Specify where you want trays installed on your order.
- If spacing is not specified, we will install evenly spaced inside the cabinet.
- Features undermounted slides.

TRAY DIVIDERS



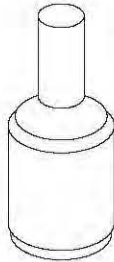
ITEM	G1	G2	G3	G4	G5	G6	G7
TD	\$147	\$147	\$147	\$147	\$147	\$147	\$147

- Tray Dividers will be factory installed.
- Pricing is per divider.
- Specify quantity required on order.
- Specify quantity required on order.

TOUCH UP KIT

ITEM	G1	G2	G3	G4	G5	G6	G7
TOUCH UP KIT	\$15	\$15	\$15	\$15	\$15	\$15	\$15

- Includes small bottle of paint and crayon filler stick.



St.Martin

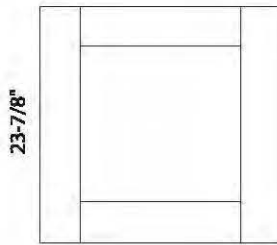
C A B I N E T R Y

Loose Doors

READING THE CODE

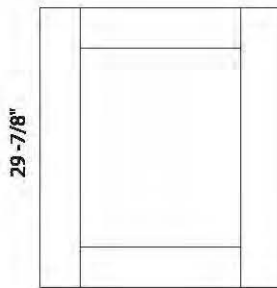
DR (loose door) 090 (width) 300 (height)

DOOR HEIGHT 24"



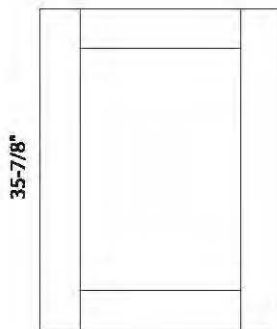
ITEM	G1	G2	G3	G4	G5	G6	G7
DR-090240	\$141	\$155	\$183	\$292	\$314	\$408	\$477
DR-120240	\$170	\$187	\$221	\$322	\$350	\$444	\$536
DR-150240	\$193	\$212	\$251	\$351	\$387	\$480	\$595
DR-180240	\$218	\$239	\$283	\$380	\$423	\$517	\$655
DR-210240	\$246	\$271	\$320	\$409	\$459	\$553	\$714
DR-240240	\$285	\$313	\$371	\$439	\$496	\$590	\$774

DOOR HEIGHT 30"



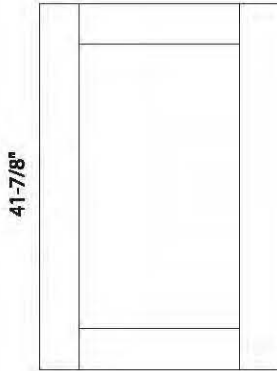
ITEM	G1	G2	G3	G4	G5	G6	G7
DR-090300	\$176	\$194	\$229	\$314	\$341	\$435	\$521
DR-120300	\$212	\$234	\$276	\$351	\$387	\$480	\$595
DR-150300	\$241	\$265	\$313	\$387	\$432	\$526	\$670
DR-180300	\$272	\$299	\$354	\$424	\$478	\$571	\$744
DR-210300	\$308	\$339	\$400	\$461	\$523	\$617	\$818
DR-240300	\$356	\$391	\$463	\$497	\$569	\$662	\$892

DOOR HEIGHT 36"



ITEM	G1	G2	G3	G4	G5	G6	G7
DR-090360	\$215	\$237	\$280	\$336	\$368	\$462	\$566
DR-120360	\$257	\$283	\$334	\$380	\$423	\$517	\$655
DR-150360	\$298	\$327	\$387	\$424	\$478	\$571	\$744
DR-180360	\$353	\$388	\$459	\$468	\$532	\$626	\$833
DR-210360	\$398	\$437	\$438	\$512	\$587	\$681	\$922
DR-240360	\$441	\$485	\$534	\$556	\$641	\$735	\$1,011

DOOR HEIGHT 42"



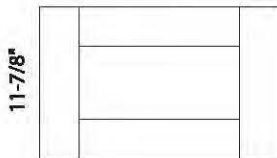
ITEM	G1	G2	G3	G4	G5	G6	G7
DR-090420	\$251	\$276	\$326	\$358	\$396	\$489	\$610
DR-120420	\$300	\$330	\$390	\$409	\$459	\$553	\$714
DR-150420	\$347	\$382	\$451	\$461	\$523	\$617	\$818
DR-180420	\$412	\$453	\$498	\$512	\$587	\$681	\$922
DR-210420	\$464	\$510	\$536	\$563	\$650	\$744	\$1,026
DR-240420	\$515	\$566	\$594	\$614	\$714	\$808	\$1,130

DRAWER FACE HEIGHT 6"



ITEM	G1	G2	G3	G4	G5	G6	G7
DF-090060	\$88	\$96	\$114	\$175	\$181	\$275	\$292
DF-120060	\$96	\$105	\$125	\$183	\$190	\$284	\$307
DF-150060	\$103	\$114	\$134	\$190	\$199	\$293	\$321
DF-180060	\$111	\$122	\$144	\$197	\$208	\$302	\$336
DF-210060	\$119	\$131	\$155	\$205	\$217	\$311	\$351
DF-240060	\$127	\$140	\$165	\$212	\$226	\$320	\$366
DF-270060	\$135	\$148	\$176	\$219	\$235	\$329	\$381
DF-300060	\$143	\$157	\$186	\$227	\$244	\$338	\$396
DF-360060	\$159	\$174	\$207	\$241	\$263	\$356	\$425

DRAWER FACE HEIGHT 12"



ITEM	G1	G2	G3	G4	G5	G6	G7
DF-090120	\$97	\$106	\$117	\$187	\$193	\$290	\$310
DF-120120	\$127	\$139	\$165	\$212	\$226	\$320	\$366
DF-150120	\$140	\$155	\$182	\$227	\$244	\$338	\$396
DF-180120	\$154	\$170	\$200	\$241	\$263	\$356	\$425
DF-210120	\$168	\$185	\$218	\$256	\$281	\$375	\$455
DF-240120	\$182	\$200	\$237	\$270	\$299	\$393	\$485
DF-270120	\$196	\$215	\$255	\$285	\$317	\$411	\$515
DF-300120	\$210	\$230	\$273	\$300	\$335	\$429	\$544
DF-360120	\$237	\$261	\$308	\$329	\$372	\$466	\$604

St.Martin

C A B I N E T R Y

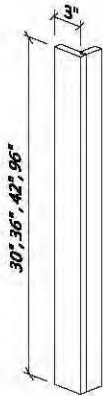
Fillers, Panels & Posts

READING THE CODE
P (Code)30 (height)

87 Schuylkill Street, Cressona, PA, 17929

Tel: 570-593-8596 Fax: 570-593-8066 / www.StmartinCabinetry.com

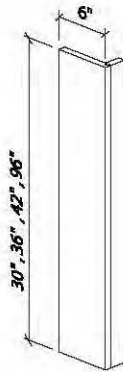
FILLER 3"



ITEM	G1	G2	G3	G4	G5	G6	G7
F330	\$75	\$75	\$98	\$115	\$188	\$188	\$188
F336	\$83	\$83	\$108	\$147	\$257	\$257	\$257
F342	\$94	\$94	\$122	\$157	\$267	\$267	\$267
F396	\$188	\$188	\$244	\$255	\$473	\$473	\$473

- Trimmable.
- 3/4" solid wood.
- F396 can also be used for crown molding installation. See Design Suggestions in the back of this book for details.
- Over 96" requires special quote.

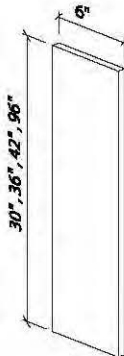
FILLER 6"



ITEM	G1	G2	G3	G4	G5	G6	G7
F630	\$115	\$115	\$150	\$162	\$210	\$210	\$210
F636	\$147	\$147	\$191	\$219	\$291	\$291	\$291
F642	\$157	\$157	\$204	\$229	\$301	\$301	\$301
F696	\$254	\$254	\$330	\$397	\$541	\$541	\$541

- Trimmable.
- F696 can also be used for crown molding installation. See Design Suggestions in the back of this book for details.
- Over 96" requires special quote.

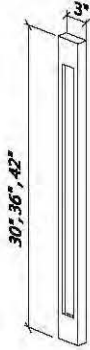
ISLAND FILLER 6"



ITEM	G1	G2	G3	G4	G5	G6	G7
IF630	\$92	\$92	\$120	\$130	\$168	\$168	\$168
IF636	\$118	\$118	\$153	\$175	\$233	\$233	\$233
IF642	\$126	\$126	\$163	\$183	\$241	\$241	\$241
IF696	\$203	\$203	\$264	\$318	\$433	\$433	\$433

- Trimmable.
- 7/8" solid wood.

WALL SHAKER FILLER



Shaker filler

ITEM	G1	G2	G3	G4	G5	G6	G7
WSF330	\$106	\$106	\$138	\$222	\$255	\$255	\$255
WSF336	\$120	\$120	\$156	\$237	\$272	\$272	\$272
WSF342	\$135	\$135	\$176	\$245	\$281	\$281	\$281

- 7/8" solid wood .

BASE SHAKER FILLER

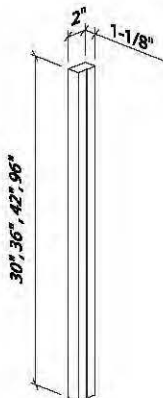


Shaker filler

ITEM	G1	G2	G3	G4	G5	G6	G7
BSF3	\$112	\$112	\$146	\$219	\$251	\$251	\$251

- Trimmable.
- 7/8" solid wood .

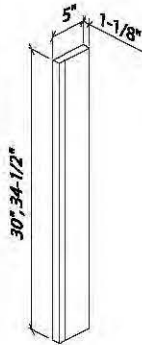
PILASTER



ITEM	G1	G2	G3	G4	G5	G6	G7
P30	\$69	\$69	\$90	\$117	\$147	\$147	\$147
P36	\$77	\$77	\$100	\$149	\$195	\$195	\$195
P42	\$83	\$83	\$108	\$160	\$205	\$205	\$205
P96	\$163	\$163	\$212	\$253	\$351	\$351	\$351

- Trimmable.
- Over 96" requires special quote.

BASE PILASTER



ITEM	G1	G2	G3	G4	G5	G6	G7
BP30	\$97	\$97	\$126	\$238	\$285	\$285	\$285
BP34-1/2	\$108	\$108	\$140	\$244	\$311	\$311	\$311

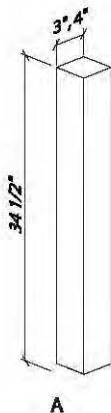
TAPERED POST



ITEM	G1	G2	G3	G4	G5	G6	G7
TPL34S 3x3	\$368	\$368	\$404	\$445	\$489	\$489	\$489
TPL42S 3x3	\$433	\$433	\$476	\$523	\$576	\$576	\$576
TPL34S 4x4	\$404	\$404	\$444	\$489	\$537	\$537	\$537
TPL42S 4x4	\$483	\$483	\$531	\$584	\$642	\$642	\$642

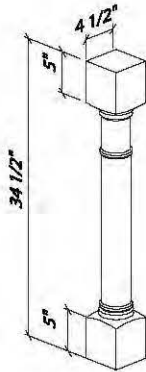
- Solid wood.

SQUARE DECORATIVE POSTS



ITEM	G1	G2	G3	G4	G5	G6	G7
SDP34 3x3 A	\$433	\$433	\$476	\$523	\$576	\$576	\$576
SDP34 4x4 A	\$483	\$483	\$531	\$584	\$642	\$642	\$642

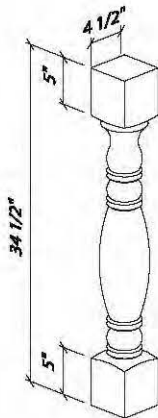
TRADITIONAL POST



ITEM	G1	G2	G3	G4	G5	G6	G7
TSP**	\$936	\$936	\$1,030	\$1,133	\$1,246	\$1,246	\$1,246

- Trimmable 4 1/2" each end.
- Solid wood.

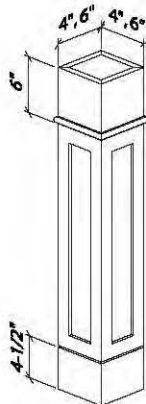
SPINDLE



ITEM	G1	G2	G3	G4	G5	G6	G7
SP	\$941	\$941	\$1,035	\$1,139	\$1,253	\$1,253	\$1,253

- Trimmable 4 1/2" each end.
- Solid wood.

SHAKER SQUARE POST

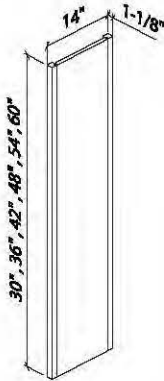


SSPA

ITEM	G1	G2	G3	G4	G5	G6	G7
SSPA4x4	\$748	\$748	\$972	\$1,159	\$1,331	\$1,331	\$1,331
SSPA6x6	\$830	\$830	\$1,079	\$1,465	\$1,682	\$1,682	\$1,682

- Solid wood.

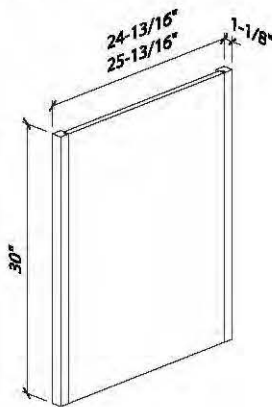
WALL END PANEL



ITEM	G1	G2	G3	G4	G5	G6	G7
WEP30	\$142	\$142	\$185	\$297	\$356	\$356	\$356
WEP36	\$167	\$167	\$217	\$318	\$381	\$381	\$381
WEP42	\$190	\$190	\$247	\$333	\$400	\$400	\$400
WEP48	\$229	\$229	\$298	\$354	\$425	\$425	\$425
WEP54	\$253	\$253	\$329	\$407	\$488	\$488	\$488
WEP60	\$279	\$279	\$363	\$429	\$515	\$515	\$515

- May be installed on either left or right.
- Panel matches door color.

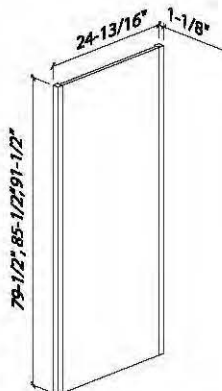
BASE END PANEL



ITEM	G1	G2	G3	G4	G5	G6	G7
BEP	\$265	\$265	\$320	\$333	\$400	\$400	\$400

- May be installed on either left or right.
- Panel matches door color.
- IBEP is 25-13/16 and is used on sides of islands and should overhang the back by 1" for use with decorative doors.

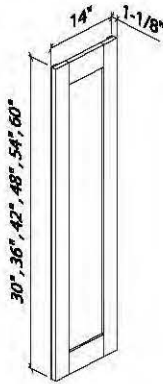
TALL END PANEL



ITEM	G1	G2	G3	G4	G5	G6	G7
TEP79-1/2	\$571	\$571	\$615	\$625	\$750	\$750	\$750
TEP85-1/2	\$610	\$610	\$620	\$640	\$768	\$768	\$768
TEP91-1/2	\$648	\$648	\$658	\$678	\$779	\$779	\$779

- May be installed on either left or right.
- Panel matches door color.
- Over 96" requires special quote.

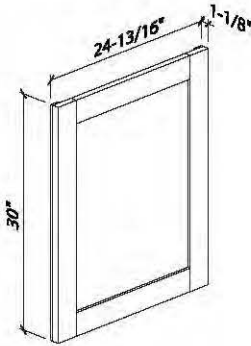
MATCHING WALL END PANEL



ITEM	G1	G2	G3	G4	G5	G6	G7
MWEP30	\$272	\$299	\$354	\$481	\$588	\$681	\$868
MWEP36	\$312	\$343	\$406	\$540	\$668	\$762	\$986
MWEP42	\$355	\$390	\$462	\$599	\$748	\$842	\$1,104
MWEP48	\$429	\$472	\$558	\$658	\$829	\$923	\$1,222
MWEP54	\$473	\$521	\$615	\$717	\$909	\$1,003	\$1,339
MWEP60	\$519	\$571	\$675	\$776	\$990	\$1,083	\$1,457

- May be installed on either left or right.
- Panel matches door style and profile.
- Matching end panels not available in Clayton. Use regular end panels
- Matching end panels are commonly used to finish exposed ends on wall cabinet runs and also for the backs of islands..

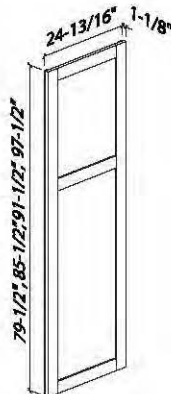
MATCHING BASE END PANEL



ITEM	G1	G2	G3	G4	G5	G6	G7
MBEP	\$403	\$443	\$524	\$712	\$903	\$997	\$1,331

- May be installed on either left or right.
- Panel matches door style and thickness and has a matching profile on four sides.
- Matching end panels not available in Clayton. Use regular end panels.
- Matching end panels are commonly used to finish exposed ends on base cabinet runs and also for the backs of islands.

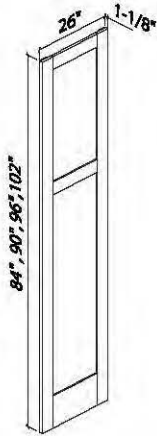
MATCHING TALL END PANEL



ITEM	G1	G2	G3	G4	G5	G6	G7
MTEP79-1/2	\$794	\$873	\$1,032	\$1,639	\$2,145	\$2,333	\$3,217
MTEP85-1/2	\$1,009	\$1,110	\$1,312	\$1,744	\$2,289	\$2,476	\$3,427
MTEP91-1/2	\$1,074	\$1,181	\$1,396	\$1,849	\$2,432	\$2,620	\$3,637

- May be installed on either left or right.
- Panel matches door style and thickness and has a matching profile on four sides.
- Matching end panels not available in Clayton. Use regular end panels
- Matching end panels are commonly used to finish exposed ends on tall cabinet runs.
- Over 96" requires special quote.

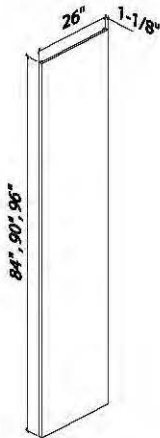
MATCHING TALL END PANEL



ITEM	G1	G2	G3	G4	G5	G6	G7
MTEP2684	\$944	\$1,038	\$1,227	\$1,777	\$2,333	\$2,521	\$3,492
MTEP2690	\$1,196	\$1,316	\$1,555	\$1,886	\$2,482	\$2,670	\$3,711
MTEP2696	\$1,268	\$1,395	\$1,648	\$1,996	\$2,632	\$2,819	\$3,930
MTEP26102**	\$1,522	\$1,674	\$1,978	\$2,196	\$2,895	\$3,101	\$4,323

- May be installed on either left or right.
- Panel matches door style and thickness and has a matching profile on four sides.
- Matching end panels not available in Clayton. Use regular end panels.
- Over 96" requires special quote.

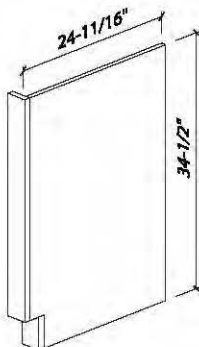
TALL END PANEL



ITEM	G1	G2	G3	G4	G5	G6	G7
TEP2684	\$814	\$814	\$1,058	\$1,058	\$1,270	\$1,270	\$1,270
TEP2690	\$868	\$868	\$1,128	\$1,128	\$1,354	\$1,354	\$1,354
TEP2696	\$921	\$921	\$1,197	\$1,197	\$1,437	\$1,437	\$1,437

- May be installed on either left or right.
- Panel matches door color.
- Over 96" requires special quote.

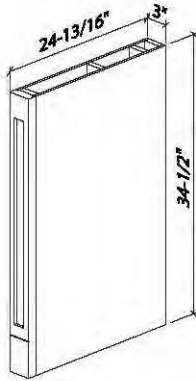
DISH WASHER SIDE PANEL



ITEM	G1	G2	G3	G4	G5	G6	G7
DWR3	\$247	\$247	\$321	\$600	\$800	\$800	\$800

- Can be trimmed.

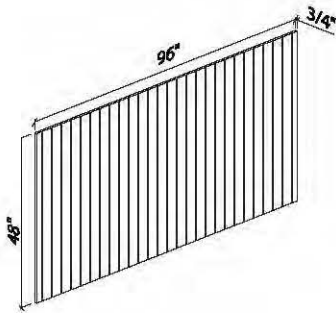
SHAKER BASE END PANEL



ITEM	G1	G2	G3	G4	G5	G6	G7
SBEP	\$584	\$584	\$642	\$706	\$777	\$777	\$777

- Finished both sides.
- May be installed on either left or right.

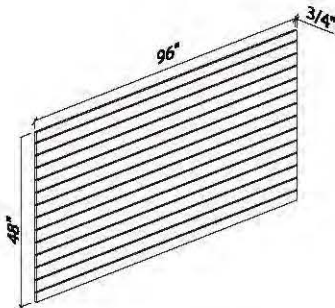
V-GROOVED PANELS WIDE



ITEM	G1	G2	G3	G4	G5	G6	G7
VGP9648x3/4	\$1,036	\$1,036	\$1,140	\$1,254	\$1,379	\$1,379	\$1,379

- Can be trimmed to make an island back panel.

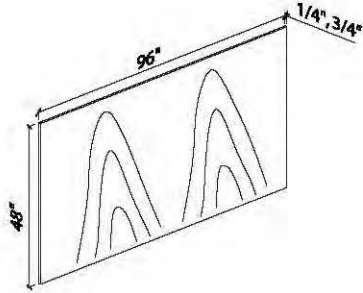
V-GROOVED PANELS TALL



ITEM	G1	G2	G3	G4	G5	G6	G7
VGP4896x3/4	\$973	\$973	\$1,070	\$1,177	\$1,294	\$1,294	\$1,294

- Can be trimmed to make an island back panel.

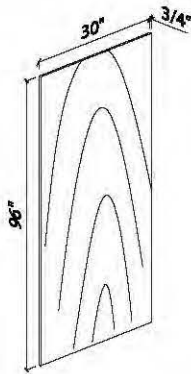
FINISHED PLYWOOD PANELS WIDE



ITEM	G1	G2	G3	G4	G5	G6	G7
FPP9648x1/4	\$505	\$505	\$510	\$561	\$612	\$612	612
FPP9648x3/4	\$964	\$964	\$974	\$1,071	\$1,167	\$1,167	\$1,167

- Can be trimmed to make an island back panel.

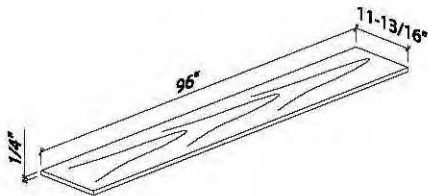
REFRIGERATOR END PANEL



ITEM	G1	G2	G3	G4	G5	G6	G7
REF3096*3/4	\$599	\$599	\$779	\$834	\$1,001	\$1,001	\$1,001

- Both faces will be finished.
- Both 96" edges will be finished.
- May be trimmed to required height and depth on the job.
- No toe kick notch. If toe kick notch is required, it must be cut on the job.

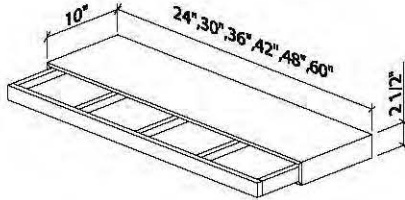
WALL CABINET BOTTOM PANEL



ITEM	G1	G2	G3	G4	G5	G6	G7
WBPNL	\$88	\$88	\$114	\$165	\$198	\$198	\$198

- Can be trimmed.
- Constructed of 1/4" matching Melamine.
- Must be used with light rail.

FLOATING SHELF



ITEM	G1	G2	G3	G4	G5	G6	G7
FS24x2/12**	\$650	\$650	\$750	\$750	\$750	\$750	\$750
FS30x2/12**	\$700	\$700	\$800	\$800	\$800	\$800	\$800
FS36x2/12**	\$750	\$750	\$850	\$850	\$850	\$850	\$850
FS42x2/12**	\$800	\$800	\$900	\$900	\$900	\$900	\$900
FS48x2/12**	\$850	\$850	\$950	\$950	\$950	\$950	\$950
FS60x2/12**	\$900	\$900	\$1000	\$1000	\$1000	\$1000	\$1000

The floating shelves are available with the following options:

- Species options: Cherry, Paint-Grade, Oak, Walnut and Alder.
- The top and bottom shelf is produced by 3/8" Al MDPF core veneer with matching 3/4" solid wood trim on three sides.
- Standard height or thickness of shelf unit is 2 1/2".
- Shelf standard depth is 10". Depth does not affect cost.
- "7" minimum depth and 12" maximum depth."

Support Frame:

- Produced from 3/4" ungraded hardwood species.
- All floating shelves should be mounted to a minimum of two studs for shelves under 50" wide and three or more for over. We recommend high quality coarse thread screws at least 2 1/2" in total length with at least two screws per stud.
- After complete installation, it is recommended that the shelf be secured to the support frame using finishing nails or pins to prevent the shelf from sliding off the support.

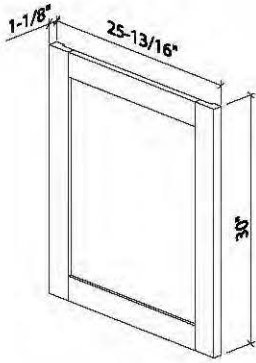
St.Martin

C A B I N E T R Y

Custom Panels

READING THE CODE
IMBEPA (Panel)25-13/16 (width)

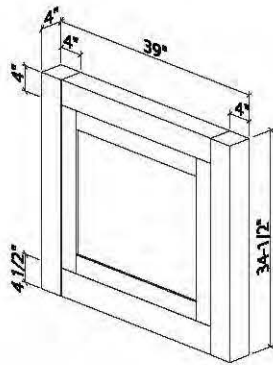
ISLAND MATCHING BASE END PANEL A



ITEM	G1	G2	G3	G4	G5	G6	G7
IMBEPA 25-13/16**	\$729	\$737	\$811	\$850	\$932	\$1,026	\$1,373

- Not available in Clayton.
- IMBEPA 25-13/16 is used on sides of islands and should overhang the back by 1" for use with decorative doors.

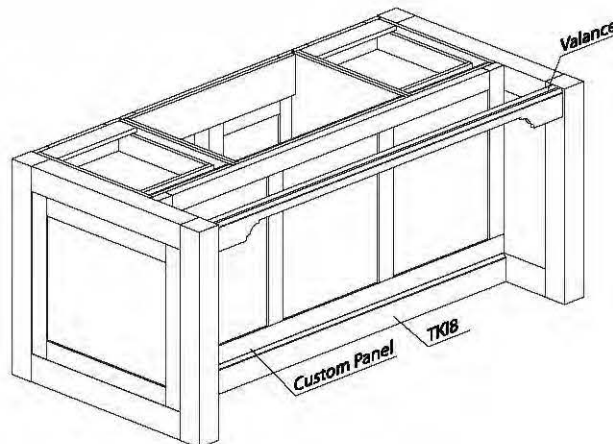
ISLAND MATCHING BASE END PANEL A



ITEM	G1	G2	G3	G4	G5	G6	G7
IMBEPA 39**	\$2,307	\$2,422	\$2,999	\$3,299	\$3,629	\$4,232	\$4,476

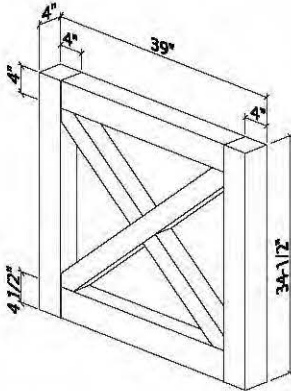
- Not available in Clayton.
- IMBEPA 39 is used on sides of islands and should overhang the back by 1" for use with decorative doors.
- Panels marked with a double asterisk (**) are non-inventoried and are custom built and finished, the Lead Time will be 8-10 weeks.

DESIGN IDEAS



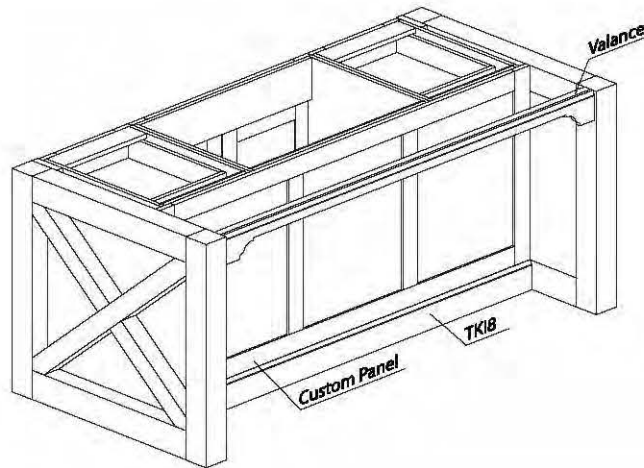
ISLAND MATCHING BASE END PANEL B

ITEM	G1	G2	G3	G4	G5	G6	G7
IMBEPB 39**	\$2,422	\$2,422	\$2,999	\$3,299	\$3,299	\$3,299	\$3,299



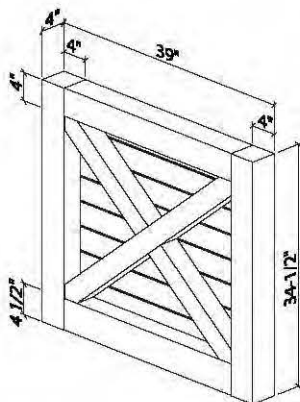
- Not available in Clayton.
- IMBEPB39 is used on sides of islands and should overhang the back by 1" for use with decorative doors.
- Panels marked with a double asterisk (**) are non-inventoried and are custom built and finished, the Lead Time will be 8-10 weeks.

DESIGN IDEAS



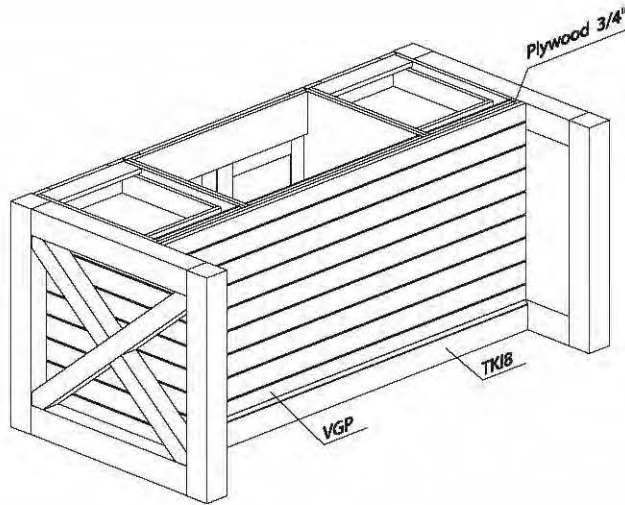
ISLAND MATCHING BASE END PANEL C

ITEM	G1	G2	G3	G4	G5	G6	G7
IMBEPB 39**	\$2,422	\$2,422	\$2,999	\$3,299	\$3,299	\$3,299	\$3,299

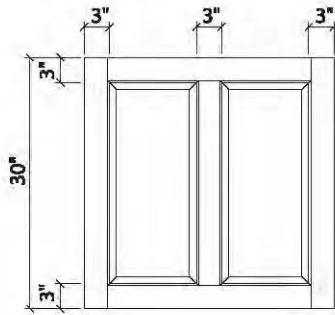


- Not available in Clayton.
- IMBEPB39 is used on sides of islands and should overhang the back by 1" for use with decorative doors.
- Panels marked with a double asterisk (**) are non-inventoried and are custom built and finished, the Lead Time will be 8-10 weeks.

DESIGN IDEAS



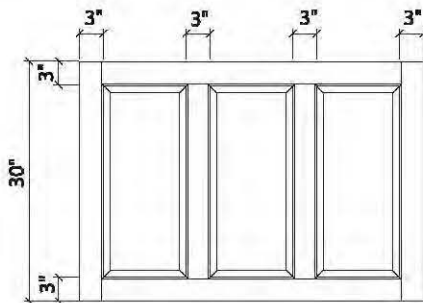
WAINSCOT PANELING STYLE A



ITEM	G1	G2	G3	G4	G5	G6	G7
WSPA-2P**	\$280/LF	\$303/LF	\$321/LF	\$321/LF	\$380/LF	\$418/LF	\$460/LF

- Price is listed per linear foot.
- Specify overall width. Maximum width 49".

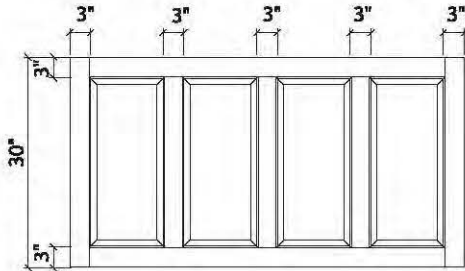
WAINSCOT PANELING STYLE A



ITEM	G1	G2	G3	G4	G5	G6	G7
WSPA-3P**	\$280/LF	\$303/LF	\$321/LF	\$321/LF	\$380/LF	\$418/LF	\$460/LF

- Price is listed per linear foot.
- Specify overall width. Maximum width 72".

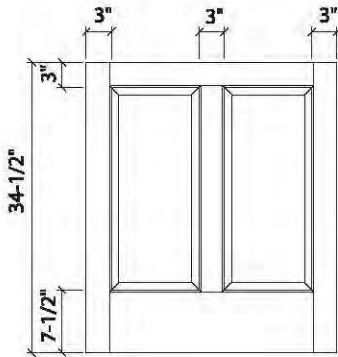
WAINSCOT PANELING STYLE A



ITEM	G1	G2	G3	G4	G5	G6	G7
WSPA-4P**	\$280/LF	\$303/LF	\$321/LF	\$321/LF	\$380/LF	\$418/LF	\$460/LF

- Price is listed per linear foot.
- Specify overall width. Maximum width 96".

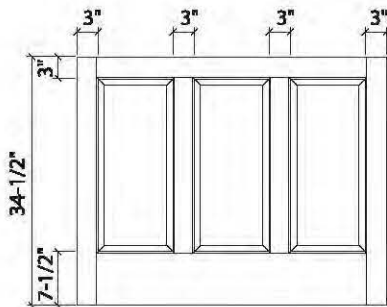
WAINSCOT PANELING STYLE B



ITEM	G1	G2	G3	G4	G5	G6	G7
WSPB-2P**	\$318/LF	\$350/LF	\$369/LF	\$369/LF	\$410/LF	\$451/LF	\$496/LF

- Price is listed per linear foot.
- Specify overall width. Maximum width 49".

WAINSCOT PANELING STYLE B



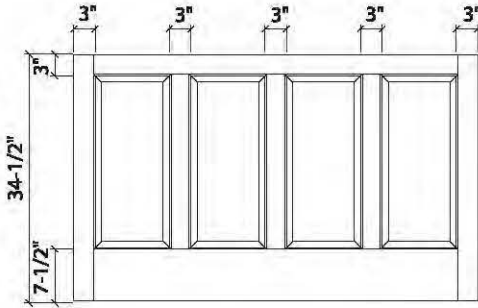
ITEM	G1	G2	G3	G4	G5	G6	G7
WSPB-3P**	\$318/LF	\$350/LF	\$369/LF	\$369/LF	\$410/LF	\$451/LF	\$496/LF

- Price is listed per linear foot.
- Specify overall width. Maximum width 72".

WAINSCOT PANELING STYLE B

ITEM	G1	G2	G3	G4	G5	G6	G7
WSPB-4P**	\$318/LF	\$350/LF	\$369/LF	\$369/LF	\$410/LF	\$451/LF	\$496/LF

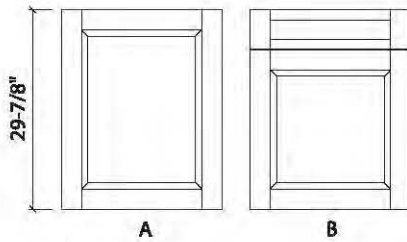
- Price is listed per linear foot.
- Specify overall width. Maximum width 96".



DISHWASHER PANEL

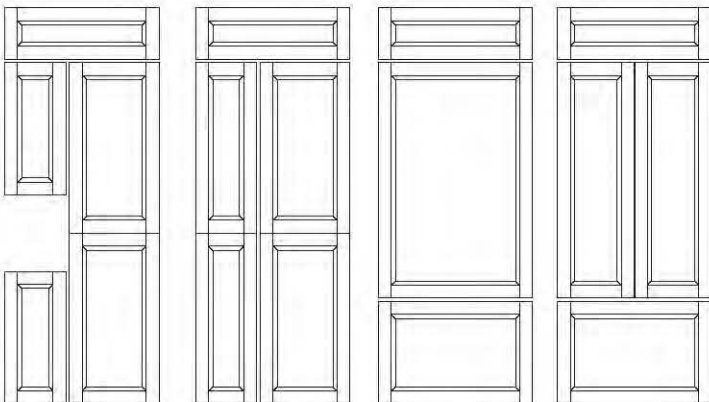
ITEM	G1	G2	G3	G4	G5	G6	G7
DP-A **	\$600	\$618	\$630	\$639	\$703	\$773	\$892
DP-B **	\$660	\$680	\$694	\$702	\$772	\$849	\$910

- Custom dishwasher panels are built to your specifications. Please provide the manufacturer and model number when placing your order.



CUSTOM REFRIGERATOR PANELS

- Pictured below are some examples of custom refrigerator panels that we can manufacture in our custom shop. Please provide us with the name and exact model number from your appliance manufacturer and we will create a drawing of the panels and a quote. You must approve the drawing and confirm that it is correct for your application.



St.Martin

C A B I N E T R Y

Moldings & Corbels

READING THE CODE
TLM (code) 8 (length in feet)

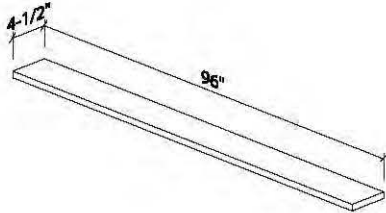
87 Schuylkill Street, Cressona, PA, 17929

Tel: 570-593-8596 Fax: 570-593-8066 / www.StmartinCabinetry.com

TOE KICK

ITEM	G1	G2	G3	G4	G5	G6	G7
TK8	\$113	\$113	\$132	132	\$250	\$250	\$250

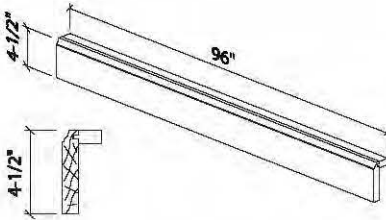
- 3/4" thick.
- Sold in 8' lengths and can be trimmed in the field.



FURNITURE TOE KICK

ITEM	G1	G2	G3	G4	G5	G6	G7
TKI8	\$328	\$328	\$361	\$361	\$572	\$572	\$572

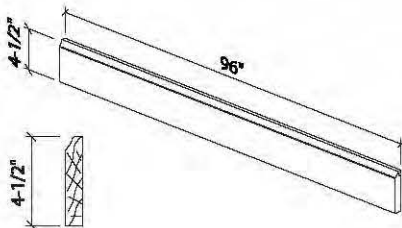
- Sold in 8' lengths and can be trimmed in the field.
- TKI8 can also be used for crown molding installation. See Design Suggestions and the back of this book for details.



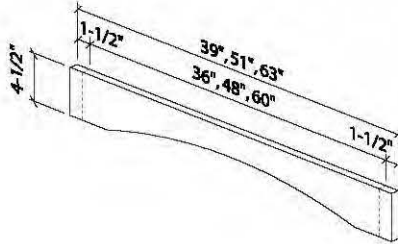
TOE KICK FOR BASE MOLDING

ITEM	G1	G2	G3	G4	G5	G6	G7
TKBM8	\$298	\$298	\$327	\$327	\$427	\$427	\$427

- Sold in 8' lengths and can be trimmed in the field.



VALANCE SHAKER

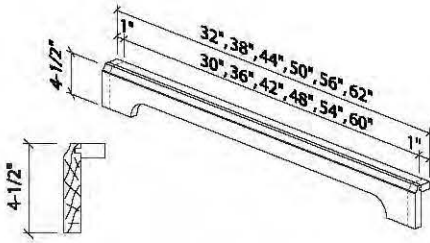


WIDTHS: 39-51-63

ITEM	G1	G2	G3	G4	G5	G6	G7
V36SH	\$158	\$158	\$283	\$283	\$345	\$345	\$345
V48SH	\$173	\$173	\$320	\$320	\$386	\$386	\$386
V60SH	\$193	\$193	\$350	\$350	\$429	\$429	\$429

- Valance shaker.
- 7/8" solid wood.
- Can be trimmed 1-1/2" on each end.

VALANCE FURNITURE

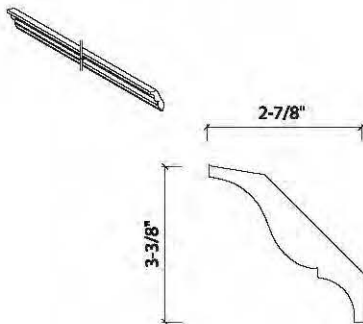


WIDTHS: 32-38-44-50-56-62

ITEM	G1	G2	G3	G4	G5	G6	G7
V30F	\$144	\$144	\$250	\$250	\$322	\$322	\$322
V36F	\$158	\$158	\$283	\$283	\$345	\$345	\$345
V42F	\$171	\$171	\$295	\$295	\$365	\$365	\$365
V48F	\$190	\$190	\$320	\$320	\$386	\$386	\$386
V54F	\$210	\$210	\$325	\$325	\$408	\$408	\$408
V60F	\$228	\$228	\$350	\$350	\$429	\$429	\$429

- 7/8" solid wood.
- Can be trimmed 1" on each end.

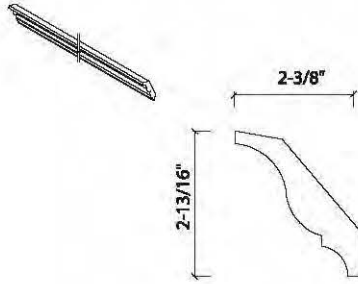
TRADITIONAL LARGE MOLDING



ITEM	G1	G2	G3	G4	G5	G6	G7
TLM8	\$328	\$328	\$402	\$402	\$593	\$593	\$593

- Solid wood.
- Crown molding has to be cleated to the top of the wall cabinets utilizing LM8, F396, F696 or TKI8. See Design Suggestions at the end of this book for details.

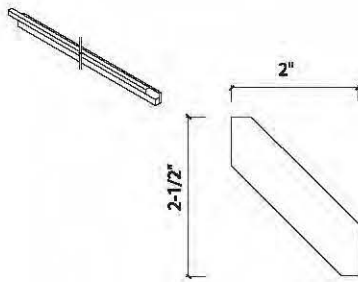
TRADITIONAL MIDDLE MOLDING



ITEM	G1	G2	G3	G4	G5	G6	G7
TMM8	\$258	\$258	\$386	\$386	\$547	\$547	\$547

- Solid wood.
- Crown molding has to be cleated to the top of the wall cabinets utilizing LM8, F396, F696 or TK18. See Design Suggestions at the end of this book for details.

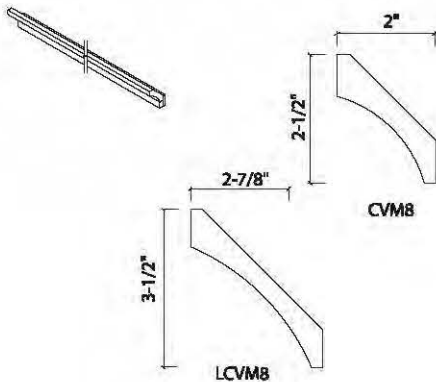
ANGLE CROWN MOLDING



ITEM	G1	G2	G3	G4	G5	G6	G7
ACM8	\$230	\$230	\$253	\$278	\$306	\$306	\$306

- Solid wood.
- Crown molding has to be cleated to the top of the wall cabinets utilizing LM8, F396, F696 or TK18. See Design Suggestions at the end of this book for details.

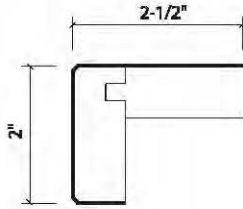
CURVED CROWN MOLDING



ITEM	G1	G2	G3	G4	G5	G6	G7
CVM8	\$230	\$230	\$373	\$373	\$512	\$512	\$512
LCVMB	\$313	\$313	\$405	\$405	\$599	\$599	\$599

- Solid wood.
- Crown molding has to be cleated to the top of the wall cabinets utilizing LM8, F396, F696 or TK18. See Design Suggestions at the end of this book for details.

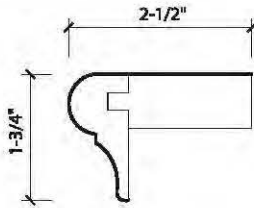
LIGHT MOLDING A



ITEM	G1	G2	G3	G4	G5	G6	G7
LM8	\$165	\$165	\$228	\$228	\$404	\$404	\$404

- Solid wood.
- Bold highlighting on drawing indicates finished surfaces.
- LM8 can also be used for crown molding installation. See Design Suggestions at the end of this book for details.

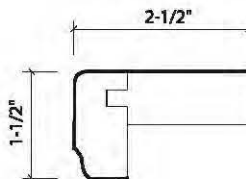
LIGHT MOLDING B



ITEM	G1	G2	G3	G4	G5	G6	G7
LMB8	\$151	\$151	\$166	\$183	\$201	\$201	\$201

- Solid wood.
- Bold highlighting on drawing indicates finished surfaces.
- LM8 can also be used for crown molding installation. See Design Suggestions at the end of this book for details.

MIRROR MOLDING



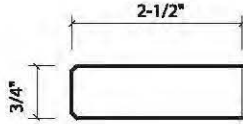
ITEM	G1	G2	G3	G4	G5	G6	G7
MM8	\$151	\$151	\$217	\$217	\$372	\$372	\$372

- Solid wood.
- Bold highlighting on drawing indicates finished surfaces.

BEAD MOLDING

ITEM	G1	G2	G3	G4	G5	G6	G7
BM8	\$135	\$135	\$185	\$185	\$295	\$295	\$295

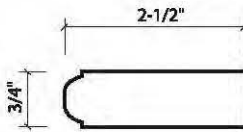
- Solid wood.
- Bold highlighting on drawing indicates finished surfaces.



SINGLE BEAD MOLDING

ITEM	G1	G2	G3	G4	G5	G6	G7
SBM8	\$135	\$135	\$185	\$185	\$295	\$295	\$295

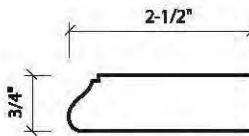
- Solid wood.
- Bold highlighting on drawing indicates finished surfaces.



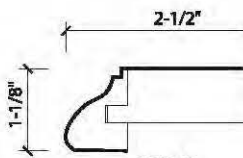
OGEE PILASTER (HALF)

ITEM	G1	G2	G3	G4	G5	G6	G7
OGP8-A	\$135	\$135	\$185	\$185	\$295	\$295	\$295
OGP8-B	\$178	\$178	\$280	\$280	\$425	\$425	\$425

- Solid wood.
- Bold highlighting on drawing indicates finished surfaces.



OGP8-A

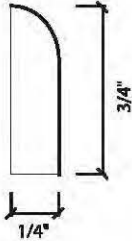


OGP8-B

SMALL MOLDING

ITEM	G1	G2	G3	G4	G5	G6	G7
SM8	\$85	\$85	\$153	\$153	\$195	\$195	\$195

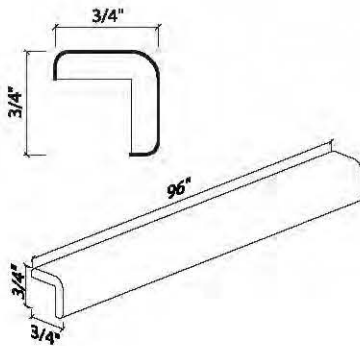
- Solid wood.
- Bold highlighting on drawing indicates finished surfaces.



OUTSIDE CORNER MOLDING 3/4"

ITEM	G1	G2	G3	G4	G5	G6	G7
OCM8-3/4	\$153	\$153	\$210	\$210	\$231	\$231	\$231

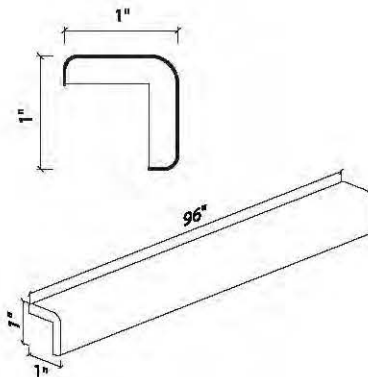
- Solid wood.
- Bold highlighting on drawing indicates finished surfaces.



OUTSIDE CORNER MOLDING 1"

ITEM	G1	G2	G3	G4	G5	G6	G7
OCM8-1	\$204	\$204	\$281	\$281	\$306	\$306	\$306

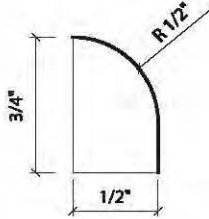
- Solid wood.
- Bold highlighting on drawing indicates finished surfaces.



BASE SHOE MOLDING

ITEM	G1	G2	G3	G4	G5	G6	G7
BSM8	\$111	\$111	\$210	\$210	\$231	\$231	\$231

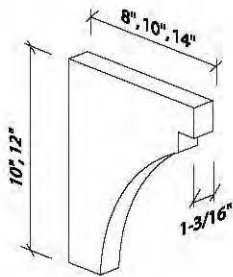
- Solid wood.
- Bold highlighting on drawing indicates finished surfaces.



TRADITIONAL SIMPLE CORBEL

ITEM	G1	G2	G3	G4	G5	G6	G7
SC10	\$111	\$111	\$122	\$135	\$148	\$148	\$148
SC12	\$144	\$144	\$158	\$174	\$4191	\$191	\$191

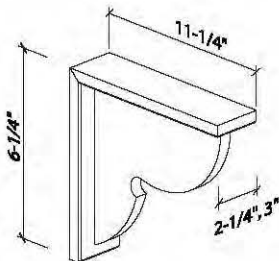
- Solid wood.



COUNTER TOP SUPPORT

ITEM	G1	G2	G3	G4	G5	G6	G7
CTS11	\$153	\$153	\$168	\$185	203	\$203	\$203

- Support for counter top or cabinet.



St.Martin

C A B I N E T R Y

Standard Vanities

READING THE CODE

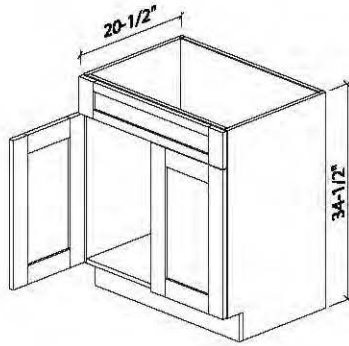
VA (vanity) 30 (width) 21 (depth)

- Standard cabinet depth is 20-1/2" unless stated otherwise.
- Standard cabinet height is 34-1/2" tall unless stated otherwise.
- St. Martin Standard Vanities feature all wood construction with wood dove-tailed drawers and soft close doors and drawers.
- Standard vanities come with matching melamine over plywood finished ends.

87 Schuylkill Street, Cressona, PA, 17929

Tel: 570-593-8596 Fax: 570-593-8066 / www.StmartinCabinetry.com

VANITY SINK BASE DOUBLE DOOR

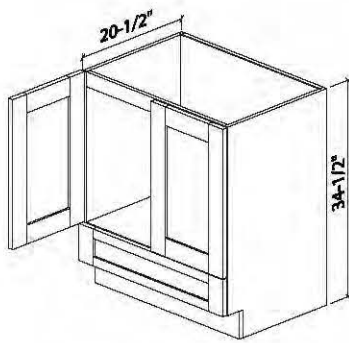


WIDTHS: 24-30-36

ITEM	G1	G2	G3	G4	G5	G6	G7
VA2421-S	\$866	\$910	\$956	\$1,118	\$1,302	\$1,445	\$1,584
VA3021-S	\$963	\$1,013	\$1,063	\$1,194	\$1,424	\$1,532	\$1,705
VA3621-S	\$1,055	\$1,110	\$1,164	\$1,269	\$1,544	\$1,618	\$1,825

- False drawer front to accommodate plumbing.

**VANITY SINK BASE DOUBLE DOOR
BOTTOM DRAWER**

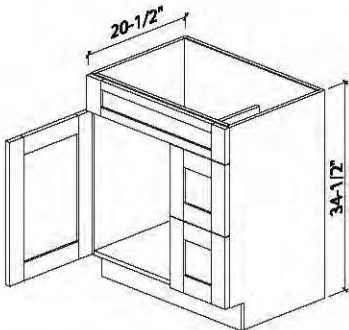


WIDTHS: 24-30-36

ITEM	G1	G2	G3	G4	G5	G6	G7
VA2421BD-S	\$1,068	\$1,112	\$1,155	\$1,224	\$1,408	\$1,551	\$1,689
VA3021BD-S	\$1,164	\$1,224	\$1,286	\$1,323	\$1,552	\$1,661	\$1,833
VA3621BD-S	\$1,275	\$1,342	\$1,408	\$1,420	\$1,694	\$1,769	\$1,976

- One standard depth bottom drawer.

**VANITY COMBINATION TWO DRAWER
SINGLE DOOR**

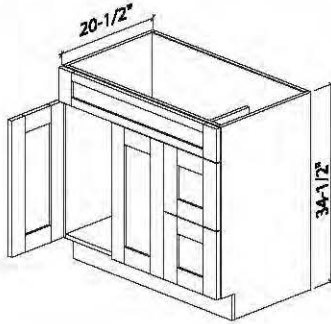


WIDTH: 30

ITEM	G1	G2	G3	G4	G5	G6	G7
VSD3021DL/R-S	\$1,307	\$1,372	\$1,443	\$1,597	\$1,917	\$2,050	\$2,292

- False drawer front to accommodate plumbing.
- Two deep drawers.
- DL indicates drawers on left side.
- DR indicates drawers on right side.
- Drawers are 12" wide.

**VANITY COMBINATION TWO DRAWER
DOUBLE DOOR**

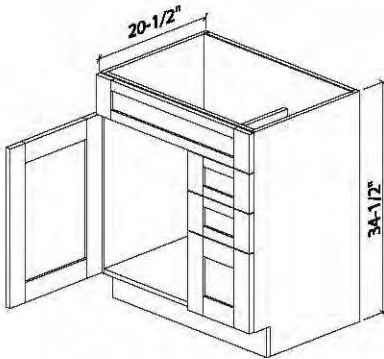


WIDTH: 36

ITEM	G1	G2	G3	G4	G5	G6	G7
VSD3621DL/R-S	\$1,442	\$1,515	\$1,592	\$1,812	\$2,087	\$2,349	\$2,556

- Two deep drawers.
- DL indicates drawers on left side.
- DR indicates drawers on right side.
- Drawers are 12" wide.

**VANITY COMBINATION THREE DRAWER
SINGLE DOOR**

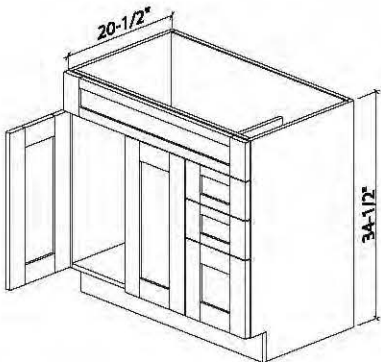


WIDTH: 30

ITEM	G1	G2	G3	G4	G5	G6	G7
VSD3021D-3DL/R-S	\$1,460	\$1,604	\$1,765	\$1,800	\$1,980	\$2,178	\$2,396

- Two regular depth drawers and one deep drawers.
- DL indicates drawers on left side.
- DR indicates drawers on right side.
- Drawers are 12" wide..

**VANITY COMBINATION THREE DRAWER
DOUBLE DOOR**

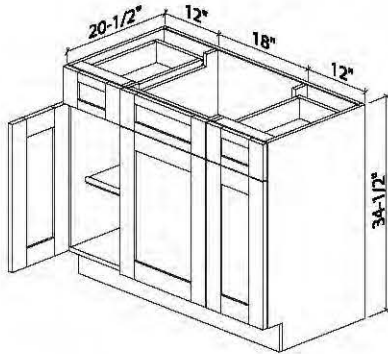


WIDTH: 36

ITEM	G1	G2	G3	G4	G5	G6	G7
VSD3621D-3DL/R-S	\$1,616	\$1,774	\$1,954	\$1,993	\$2,192	\$2,411	\$2,652

- Two regular depth drawers and one deep drawers.
- DL indicates drawers on left side.
- DR indicates drawers on right side.
- Drawers are 12" wide.

VANITY COMBINATION TWO DRAWER

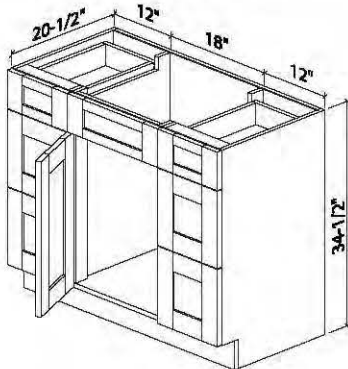


WIDTH: 42

ITEM	G1	G2	G3	G4	G5	G6	G7
VSD4221-2DL/R-S	\$1,728	\$1,830	\$1,887	\$2,200	\$2,581	\$2,856	\$3,143

- Two regular depth drawers.
- Drawers are 12" wide.

VANITY COMBINATION SINGLE DOOR SIX DRAWER

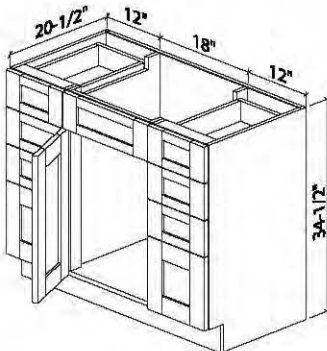


WIDTH: 42

ITEM	G1	G2	G3	G4	G5	G6	G7
VSD4221-6DL/R-S	\$2,477	\$2,608	\$2,744	\$2,850	\$2,958	\$3,467	\$3,708

- Two regular depth drawers.
- Four deep drawers.
- Drawers are 12" wide.

VANITY COMBINATION SINGLE DOOR EIGHT DRAWER

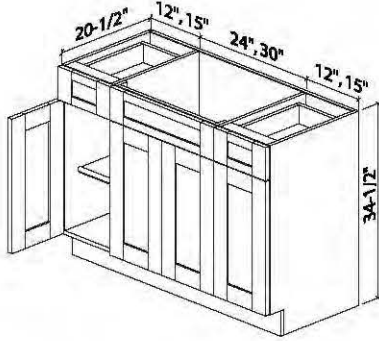


WIDTH: 42

ITEM	G1	G2	G3	G4	G5	G6	G7
VSD4221-8DL/R-S	\$2,817	\$2,948	\$3,084	\$3,190	\$3,298	\$3,807	\$4,048

- Six regular depth drawers.
- Two deep drawers.
- Drawers are 12" wide.

VANITY COMBINATION TWO DRAWER

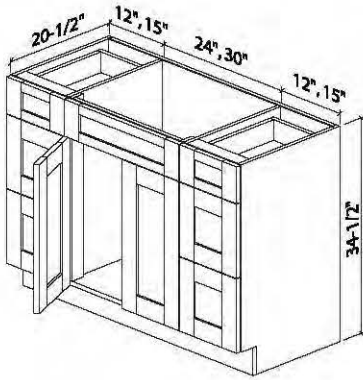


WIDTHS: 48-60

ITEM	G1	G2	G3	G4	G5	G6	G7
VSD4821-2D-S	\$1,764	\$1,856	\$1,949	\$2,317	\$2,531	\$3,027	\$3,188
VSD6021-2D-S	\$1,973	\$2,076	\$2,179	\$2,438	\$2,702	\$3,157	\$3,358

- Two regular depth drawers.
- Drawers are 12" wide on 48" wide vanity and 15" wide on 60" vanity.

VANITY COMBINATION SIX DRAWER

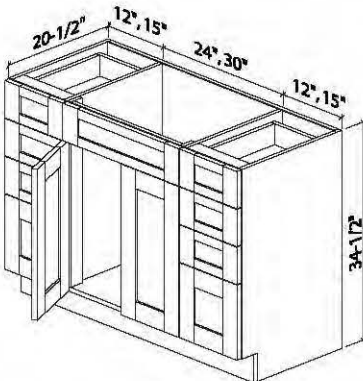


WIDTHS: 48-60

ITEM	G1	G2	G3	G4	G5	G6	G7
VSD4821-6D-S	\$2,505	\$2,635	\$2,768	\$2,856	\$3,128	\$3,765	\$3,972
VSD6021-6D-S	\$2,760	\$2,904	\$3,020	\$3,041	\$3,381	\$3,966	\$4,225

- Two regular depth drawers.
- Four deep drawers.
- Drawers are 12" wide on 48" wide vanity and 15" wide on 60" vanity.

VANITY COMBINATION EIGHT DRAWER

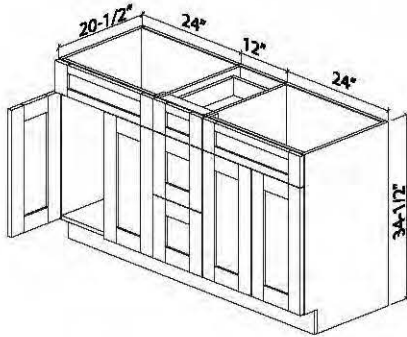


WIDTHS: 48-60

ITEM	G1	G2	G3	G4	G5	G6	G7
VSD4821-8D-S	\$2,845	\$2,975	\$3,108	\$3,196	\$3,468	\$4,105	\$4,312
VSD6021-8D-S	\$3,100	\$3,244	\$3,360	\$3,381	\$3,721	\$4,306	\$4,565

- Six regular depth drawers.
- Two deep drawers.
- Drawers are 12" wide on 48" wide vanity and 15" wide on 60" vanity.

**VANITY DOUBLE SINK BASE
THREE DRAWER**

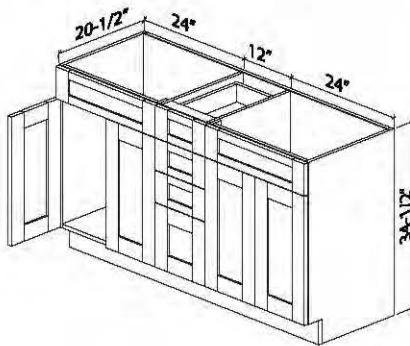


WIDTH: 60

ITEM	G1	G2	G3	G4	G5	G6	G7
VCD6021-S	\$2,397	\$2,521	\$2,649	\$2,856	\$3,131	\$3,768	\$3,975

- One regular depth drawer, two deep drawers.
- Double sink model.
- Drawers are 12", 18" wide.

**VANITY DOUBLE SINK BASE
FOUR DRAWER**

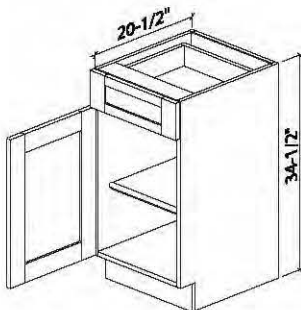


WIDTH: 60

ITEM	G1	G2	G3	G4	G5	G6	G7
VCD6021-4D-S	\$2,597	\$2,721	\$2,849	\$3,056	\$3,331	\$3,968	\$4,175

- Three regular depth drawer, one deep drawers.
- Double sink model.
- Drawers are 12", 18" wide.

VANITY BASE SINGLE DOOR

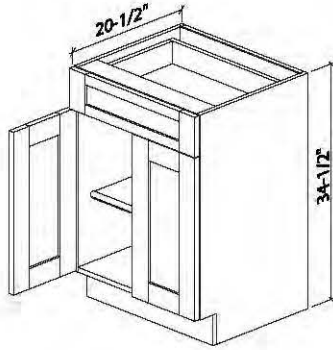


WIDTHS: 12-15-18

ITEM	G1	G2	G3	G4	G5	G6	G7
VB1221L/R-S	\$710	\$747	\$782	\$853	\$1,007	\$1,080	\$1,195
VB1521L/R-S	\$767	\$806	\$847	\$916	\$1,108	\$1,151	\$1,295
VB1821L/R-S	\$818	\$862	\$904	\$979	\$1,208	\$1,223	\$1,396

- One regular depth drawer.
- One adjustable 20-1/4" deep shelf with solid wood edge banding.

VANITY BASE DOUBLE DOOR

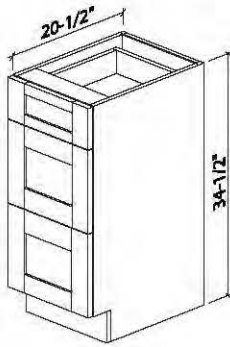


WIDTHS: 21-24

ITEM	G1	G2	G3	G4	G5	G6	G7
VB2121-S	\$882	\$927	\$973	\$1,178	\$1,340	\$1,500	\$1,621
VB2421-S	\$1,062	\$1,106	\$1,150	\$1,228	\$1,412	\$1,555	\$1,693

- One regular depth drawer.
- One adjustable 20-1/4" deep shelf with solid wood edge banding.

VANITY BASE THREE DRAWER

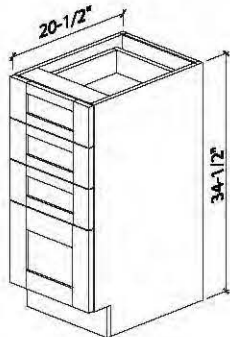


WIDTHS: 12-15-18-21

ITEM	G1	G2	G3	G4	G5	G6	G7
VDB12-3	\$924	\$971	\$1,020	\$1,051	\$1,144	\$1,357	\$1,426
VDB15-3	\$1,011	\$1,065	\$1,107	\$1,116	\$1,232	\$1,427	\$1,514
VDB18-3	\$1,055	\$1,110	\$1,166	\$1,181	\$1,320	\$1,498	\$1,601
VDB21-3	\$1,102	\$1,212	\$1,272	\$1,321	\$1,408	\$1,569	\$1,690

- One regular depth drawer, two deep drawers.

VANITY BASE FOUR DRAWER

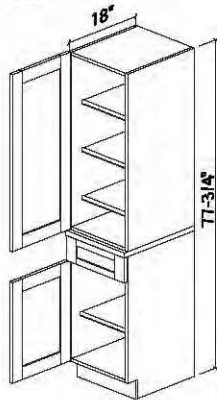


WIDTHS: 12-15-18-21

ITEM	G1	G2	G3	G4	G5	G6	G7
VDB12-4	\$1,124	\$1,171	\$1,220	\$1,251	\$1,344	\$1,557	\$1,626
VDB15-4	\$1,211	\$1,265	\$1,307	\$1,316	\$1,432	\$1,627	\$1,714
VDB18-4	\$1,255	\$1,310	\$1,366	\$1,381	\$1,520	\$1,698	\$1,801
VDB21-4	\$1,302	\$1,412	\$1,472	\$1,521	\$1,608	\$1,769	\$1,890

- Three regular depth drawer, one deep drawer.

**VANITY LINEN CABINET 78" TALL
WITH DRAWER**

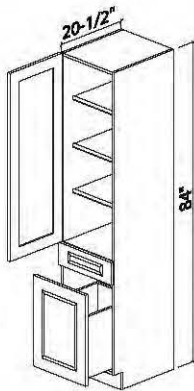


WIDTHS: 15-18

ITEM	G1	G2	G3	G4	G5	G6	G7
VLCD157818L/R-S	\$2,129	\$2,241	\$2,355	\$2,447	\$2,692	\$2,961	\$3,109
VLCD187818L/R-S	\$2,285	\$2,402	\$2,525	\$2,623	\$2,885	\$3,174	\$3,333

- Upper cabinet finished interior and exterior.
- Upper cabinet prepared with wood door and finished 3/4" wood shelves.
- Three adjustable shelves in upper section.

**VANITY LINEN CABINET 84" TALL
WITH DRAWER**

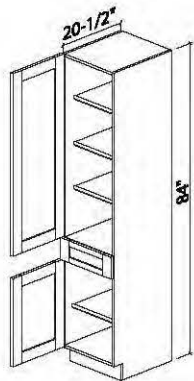


WIDTH: 18

ITEM	G1	G2	G3	G4	G5	G6	G7
VLCD188421-PHL/R-S	\$2,175	\$2,292	\$2,326	\$2,417	\$2,634	\$2,898	\$3,042

- Three adjustable shelves in upper section.
- Hamper unit on bottom of cabinet features a wood pull out tray with undermount slides.

**VANITY LINEN CABINET 84" TALL
WITH DRAWER**

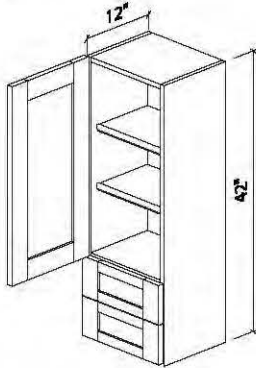


WIDTH: 18

ITEM	G1	G2	G3	G4	G5	G6	G7
VLCD188421L/R-S	\$1,769	\$1,862	\$1,955	\$2,032	\$2,583	\$2,841	\$2,984

- Three adjustable shelves in upper section.
- One adjustable shelf in bottom section.

VANITY SOLID DOOR WALL CABINET WITH TWO DRAWER



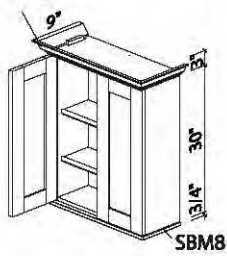
WIDTHS: 15-18

ITEM	G1	G2	G3	G4	G5	G6	G7
W2D154212L/R	\$1,346	\$1,484	\$1,635	\$1,668	\$1,751	\$1,839	\$1,931
W2D184212L/R	\$1,449	\$1,591	\$1,754	\$1,789	\$1,878	\$1,972	\$2,071

- Designed to set to counter.
- Finished interior and exterior.
- Prepared with glass door and three finished 3/4" adjustable wood shelves. Glass shelves are also available but need to be ordered separately.

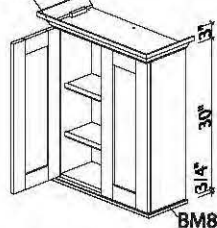
VANITY WALL BOUTIQUE

TMM8



Door Style:
Greenfield / Ridgewood /
Newhaven / Wellington

CVM8



Door Style:
Bellrose / Lakeland
Clayton

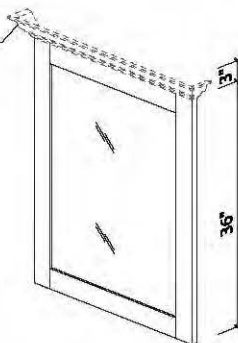
WIDTH: 24

ITEM	G1	G2	G3	G4	G5	G6	G7
VWB2430	\$743	\$782	\$820	\$892	\$1,046	\$1,119	\$1,234

- Cabinet is 9" excluding door.
- Total depth with crown molding is 12-1/2".
- Two adjustable shelves.

MATCHING VANITY MIRROR

TMM8
CVM8

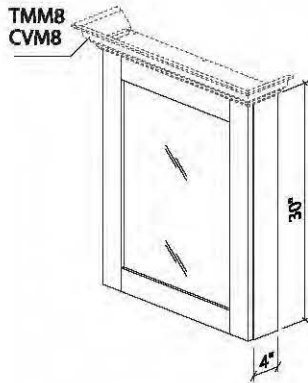


WIDTHS: 21-24-30-42-54

ITEM	G1	G2	G3	G4	G5	G6	G7
M2136	\$517	\$517	\$543	\$569	\$626	\$626	\$626
M2436	\$560	\$560	\$588	\$616	\$677	\$677	\$677
M3036	\$606	\$606	\$636	\$667	\$733	\$733	\$733
M4236	\$630	\$630	\$662	\$693	\$763	\$763	\$763
M5436	\$706	\$706	\$741	\$777	\$855	\$855	\$855

- Beveled glass mirror and matching wooden frame.
- Mirror top needs to be ordered separately.

MATCHING VANITY MIRROR CABINET

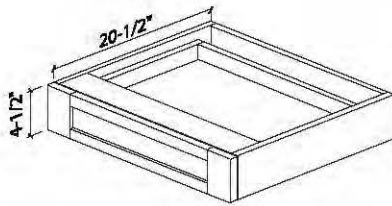


WIDTH: 24

ITEM	G1	G2	G3	G4	G5	G6	G7
MC2430	\$801	\$801	\$841	\$881	\$969	\$969	\$969

- Specify vanity style and color.
- Beveled glass mirror and matching wooden frame.
- The cabinet depth is 4".
- Mirror is set in door frame.
- Mirror cabinet top needs to be ordered separately.

VANITY KNEE DRAWER



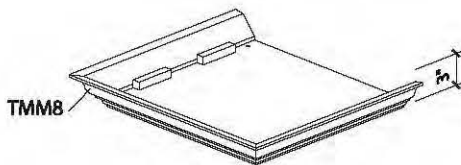
Height of drawer box is 2-1/2"

WIDTHS: 24-30-36

ITEM	G1	G2	G3	G4	G5	G6	G7
VKD2421	\$388	\$409	\$429	\$446	\$491	\$540	\$567
VKD3021	\$450	\$474	\$497	\$516	\$568	\$624	\$656
VKD3621	\$514	\$539	\$564	\$586	\$645	\$709	\$745

- Standard drawer depth.

VANITY LINEN CABINET TOP



WIDTHS: 15-18

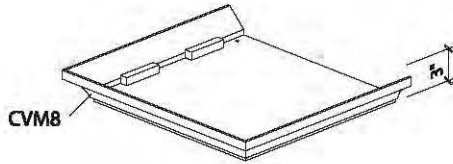
ITEM	G1	G2	G3	G4	G5	G6	G7
VLCDT1518	\$420	\$420	\$441	\$456	\$625	\$625	\$625
VLCDT1821	\$476	\$476	\$500	\$519	\$717	\$717	\$717

- For VLCD.

VANITY LINEN CABINET TOP

ITEM	G1	G2	G3	G4	G5	G6	G7
VLCDT1518-CV	\$420	\$420	\$441	\$456	\$625	\$625	\$625
VLCDT1821-CV	\$476	\$476	\$500	\$519	\$717	\$717	\$717

- For VLCD.

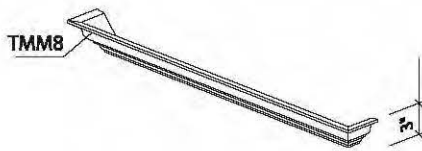


WIDTHS: 15-18

MIRROR TOP WITH TMM8

ITEM	G1	G2	G3	G4	G5	G6	G7
M21T-TM	\$276	\$276	\$290	\$296	\$388	\$388	\$388
M24T-TM	\$301	\$301	\$316	\$324	\$429	\$429	\$429
M30T-TM	\$338	\$338	\$355	\$365	\$491	\$491	\$491
M42T-TM	\$414	\$414	\$435	\$449	\$614	\$614	\$614
M54T-TM	\$489	\$489	\$513	\$533	\$738	\$738	\$738

- For matching vanity mirror.

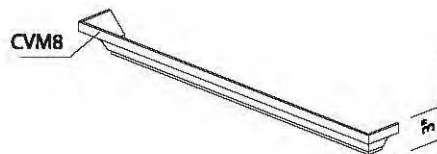


WIDTHS: 21-24-30-42-54

MIRROR TOP WITH CVM8

ITEM	G1	G2	G3	G4	G5	G6	G7
M21T-CV	\$276	\$276	\$290	\$296	\$388	\$388	\$388
M24T-CV	\$301	\$301	\$316	\$324	\$429	\$429	\$429
M30T-CV	\$338	\$338	\$355	\$365	\$491	\$491	\$491
M42T-CV	\$414	\$414	\$435	\$449	\$614	\$614	\$614
M54T-CV	\$489	\$489	\$513	\$533	\$738	\$738	\$738

- For matching vanity mirror.

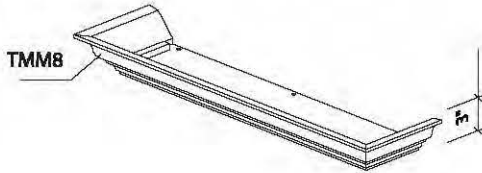


WIDTHS: 21-24-30-42-54

MIRROR CABINET TOP WITH TMM8

ITEM	G1	G2	G3	G4	G5	G6	G7
MC24T-TM	\$313	\$313	\$329	\$338	\$450	\$450	\$450

- For matching vanity mirror cabinet (MC).

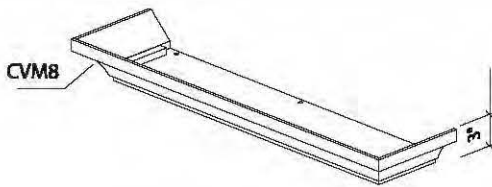


WIDTH: 24

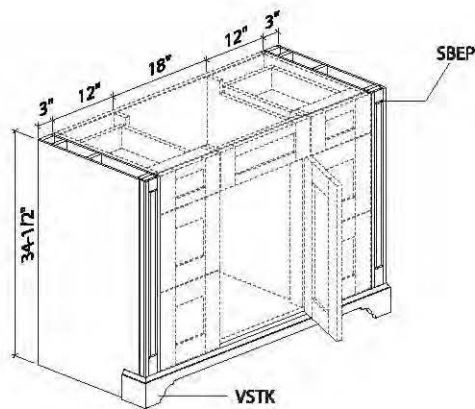
MIRROR CABINET TOP WITH CVM8

ITEM	G1	G2	G3	G4	G5	G6	G7
MC24T-CV	\$313	\$313	\$329	\$338	\$450	\$450	\$450

- For matching vanity mirror cabinet (MC).

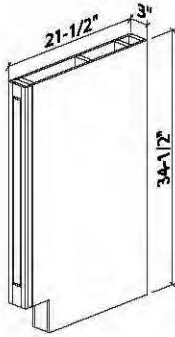


WIDTH: 24



- You can choose DVBEP & MDBEP.
- Must be ordered with Vanity Toe Kick A or B.

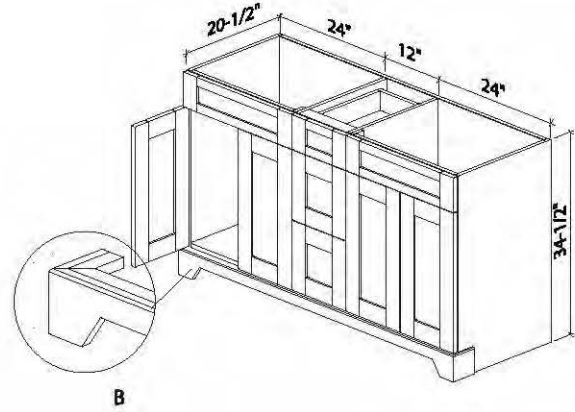
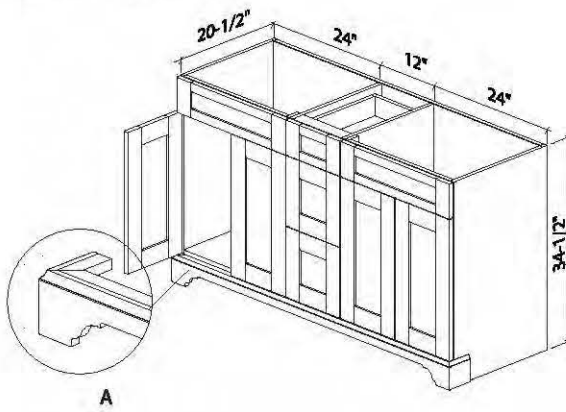
SHAKER BASE END PANEL



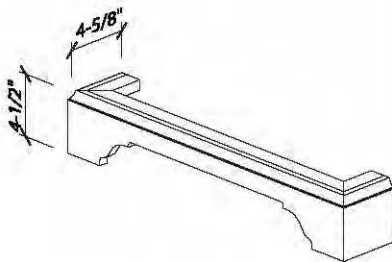
ITEM	G1	G2	G3	G4	G5	G6	G7
SVBEP	\$660	\$660	\$693	\$726	\$767	\$767	\$767

- Finished both sides.
- Must be ordered with Vanity Toe Kick A or B.

VANITY STANDER TOE KICK



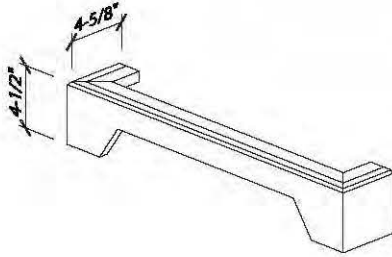
VANITY STANDER TOE KICK A



ITEM	G1	G2	G3	G4	G5	G6	G7
VSTK15A	\$154	\$154	\$270	\$275	357	\$357	\$357
VSTK18A	\$166	\$166	\$290	\$296	\$388	\$388	\$388
VSTK24A	\$188	\$188	\$329	\$338	\$450	\$450	\$450
VSTK30A	\$211	\$211	\$369	\$379	\$512	\$512	\$512
VSTK36A	\$233	\$233	\$407	\$421	\$573	\$573	\$573
VSTK42A	\$256	\$256	\$447	\$463	\$635	\$635	\$635
VSTK48A	\$278	\$278	\$487	\$505	\$697	\$697	\$697
VSTK60A	\$323	\$323	\$566	\$589	\$820	\$820	\$820

WIDTHS: 15-18-24-30-36-42-48-60

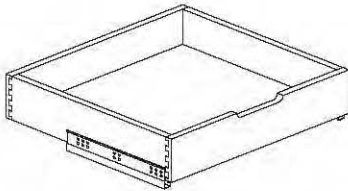
VANITY STANDER TOE KICK B



ITEM	G1	G2	G3	G4	G5	G6	G7
VSTK15B	\$154	\$154	\$270	\$275	\$357	\$357	\$357
VSTK18B	\$166	\$166	\$290	\$296	\$388	\$388	\$388
VSTK24B	\$188	\$188	\$329	\$338	\$450	\$450	\$450
VSTK30B	\$211	\$211	\$369	\$379	\$512	\$512	\$512
VSTK36B	\$233	\$233	\$407	\$421	\$573	\$573	\$573
VSTK42B	\$256	\$256	\$447	\$463	\$635	\$635	\$635
VSTK48B	\$278	\$278	\$487	\$505	\$697	\$697	\$697
VSTK60B	\$323	\$323	\$566	\$589	\$820	\$820	\$820

WIDTHS: 15-18-24-30-36-42-48-60

ROLL OUT TRAY KIT 4" HEIGHT

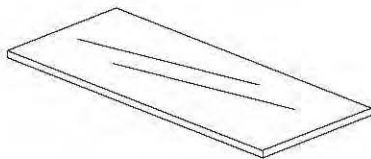


ITEM	G1	G2	G3	G4	G5	G6	G7
ROTD1221	\$316	\$316	\$316	\$316	\$316	\$316	\$316
ROTD1521	\$328	\$328	\$328	\$328	\$328	\$328	\$328
ROTD1821	\$339	\$339	\$339	\$339	\$339	\$339	\$339
ROTD2121	\$351	\$351	\$351	\$351	\$351	\$351	\$351
ROTD2421	\$363	\$363	\$363	\$363	\$363	\$363	\$363
ROTD3021	\$386	\$386	\$386	\$386	\$386	\$386	\$386
ROTD3621	\$411	\$411	\$411	\$411	\$411	\$411	\$411

- Solid wood.
- Tray is 18" deep.
- Specify where you want trays installed on your order.
- If spacing is not specified, we will install evenly spaced inside the cabinet.
- Features undermounted slides.

WIDTHS: 12-15-18-21-24-30-36

GLASS SHELF



ITEM	G1	G2	G3	G4	G5	G6	G7
GDS-135100	\$20	\$20	\$20	\$20	\$20	\$20	\$20
GDS-165100	\$24	\$24	\$24	\$24	\$24	\$24	\$24
GDS-135160	\$33	\$33	\$33	\$33	\$33	\$33	\$33
GDS-165160	\$38	\$38	\$38	\$38	\$38	\$38	\$38

- Glass shelves are designed for Linen cabinets.

St.Martin

C A B I N E T R Y

Stockholm Series Furniture Vanities

READING THE CODE

SH (Stockholm) 30 (width)

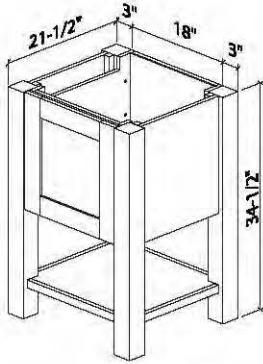
- Standard cabinet depth is 21-1/2" unless stated otherwise.
- Standard cabinet height is 34-1/2" tall unless stated otherwise.
- St. Martin Standard Furniture Vanities feature all wood construction with wood dove-tailed drawers and soft close doors and drawers.

87 Schuylkill Street, Cressona, PA, 17929

Tel: 570-593-8596 Fax: 570-593-8066 / www.StmartinCabinetry.com

STOCKHOLM SINGLE DOOR

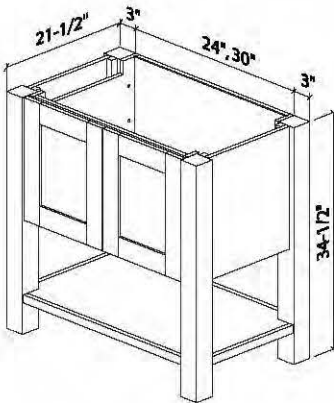
ITEM	G1	G2	G3	G4	G5	G6	G7
SH-24	\$1,195	\$1,256	\$1,319	\$1,370	\$N/A	\$N/A	\$N/A



WIDTH: 24

STOCKHOLM DOUBLE DOOR

ITEM	G1	G2	G3	G4	G5	G6	G7
SH-30	\$1,329	\$1,398	\$1,467	\$1,524	\$N/A	\$N/A	\$N/A
SH-36	\$1,492	\$1,570	\$1,649	\$1,712	\$N/A	\$N/A	\$N/A

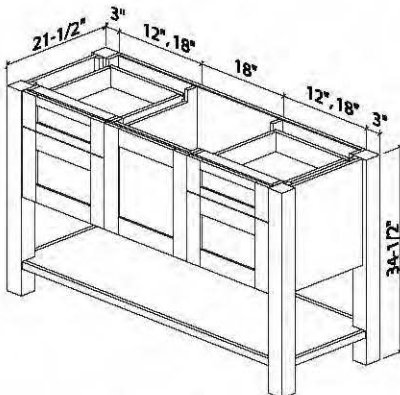


WIDTHS: 30-36

STOCKHOLM COMBINATION SINGLE DOOR
FOUR DRAWER

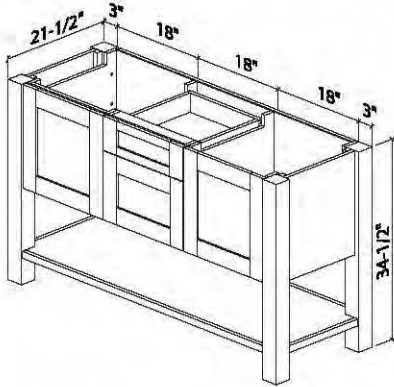
ITEM	G1	G2	G3	G4	G5	G6	G7
SH-48	\$2,501	\$2,630	\$2,764	\$2,872	\$N/A	\$N/A	\$N/A
SH-60S	\$2,786	\$2,933	\$3,080	\$3,199	\$N/A	\$N/A	\$N/A

- Two regular depth drawers.
- Two deep drawers.



WIDTHS: 48-60

**STOCKHOLM COMBINATION TWO DOOR
TWO DRAWER**



WIDTH: 60

ITEM	G1	G2	G3	G4	G5	G6	G7
SH-60D	\$2,516	\$2,648	\$2,781	\$2,890	\$N/A	\$N/A	\$N/A

- One regular depth drawer.
- One deep drawer.

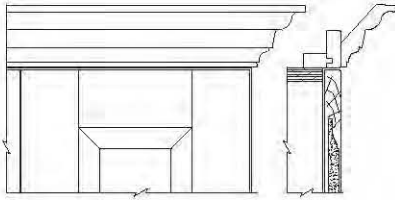
St.Martin

C A B I N E T R Y

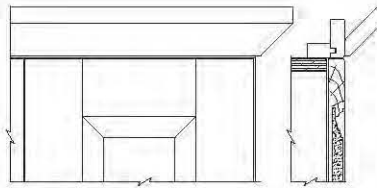
Design Suggestions

87 Schuylkill Street, Cressona, PA, 17929

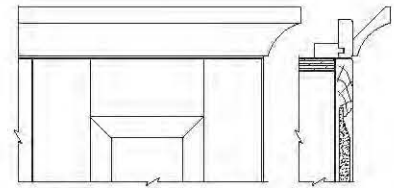
Tel: 570-593-8596 Fax: 570-593-8066 / www.StmartinCabinetry.com



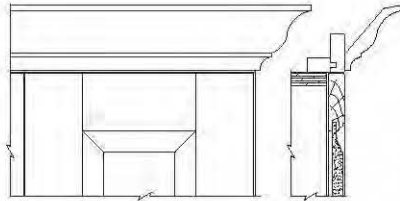
LM8+CCM8
H ADJ:3-3/8"~4"



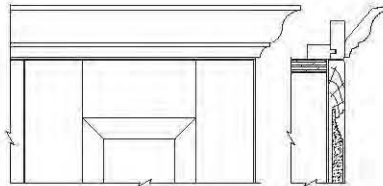
LM8+ACM8
H ADJ:2-5/8"~3-1/2"



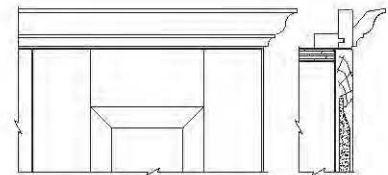
LM8+CVM8
H ADJ:2 5/8"~3 1/2"



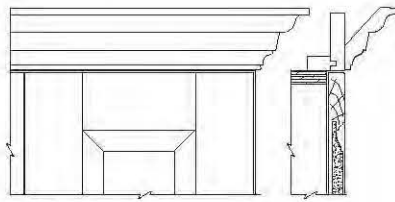
LM8+TLM8
H ADJ:3-1/2"~4-1/2"



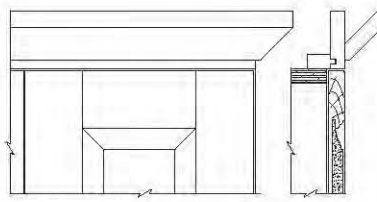
LM8+TMM8
H ADJ:2-3/4"~3-3/4"



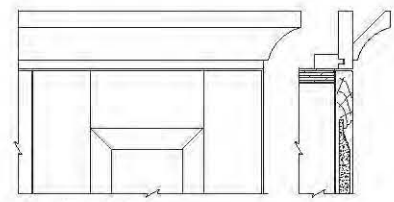
LM8+TSM8
H ADJ:2"~3"



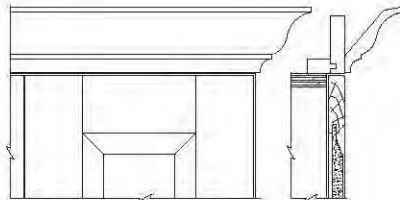
F396+CCM8
H ADJ:3-3/8"~5"



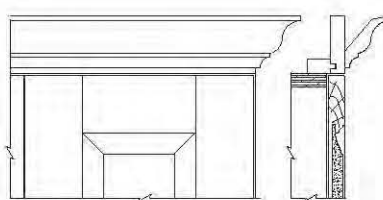
F396+ACM8
H ADJ:3"~4-1/2"



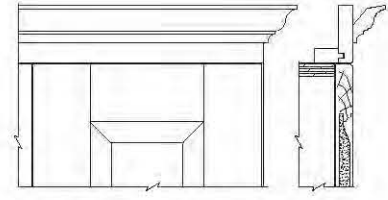
F396+CVM8
H ADJ:3"~4-1/2"



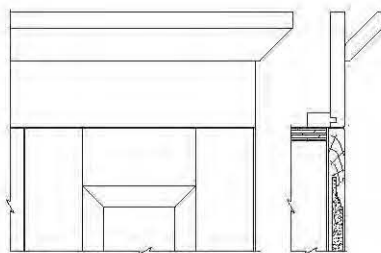
F396+TLM8
H ADJ:3-1/2"~5-1/2"



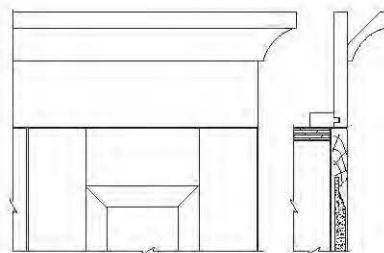
F396+TMM8
H ADJ:3"~4-1/2"



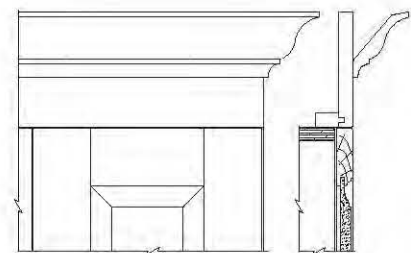
F396+TSM8
H ADJ:3"~4"



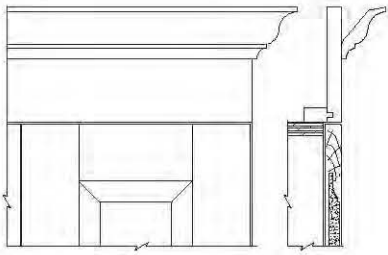
F696+ACM8
H ADJ:6"~7-1/2"



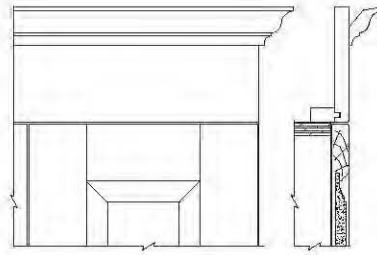
F696+CVM8
H ADJ:6"~7-1/2"



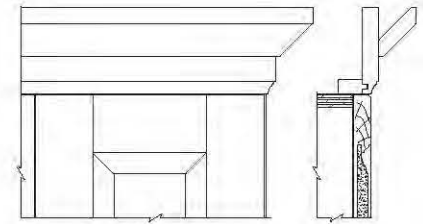
F696+TLM8
H ADJ:6"~8-1/2"



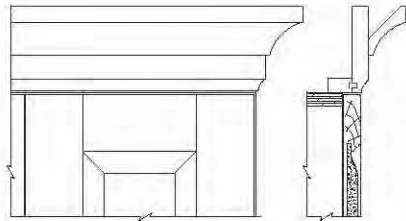
F696+TMM8
H ADJ: 6" ~ 7-1/2"



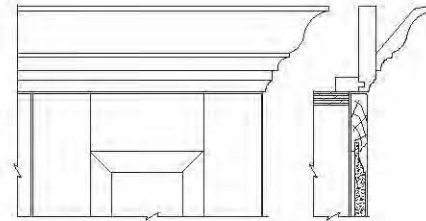
F696+TSM8
H ADJ: 6" ~ 7"



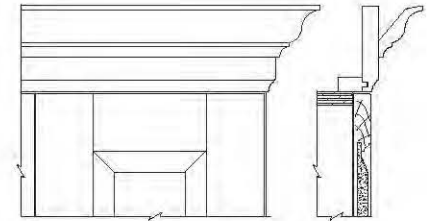
TK18+ACM8
H ADJ: 4-1/2" ~ 6"



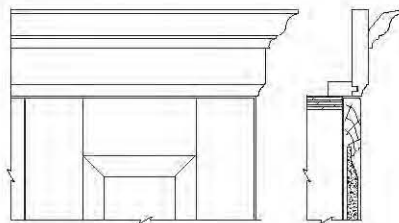
TK18+CVM8
H ADJ: 4-1/2" ~ 6"



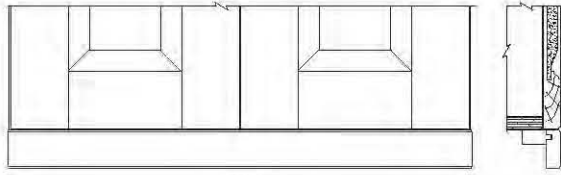
TK18+TLM8
H ADJ: 4 1/2" ~ 7"



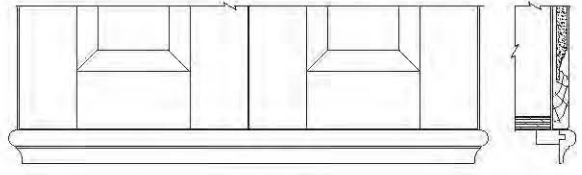
TK18+TMM8
H ADJ: 4-1/2" ~ 6"



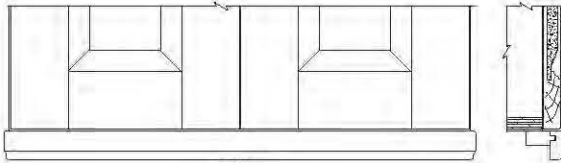
TK18+TSM8
H ADJ: 4-1/2" ~ 5-1/2"



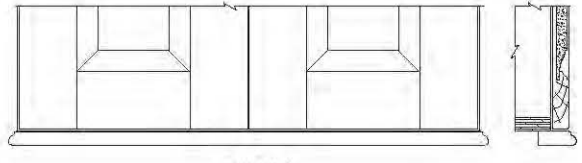
LM8



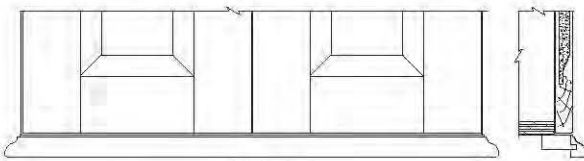
LMB8



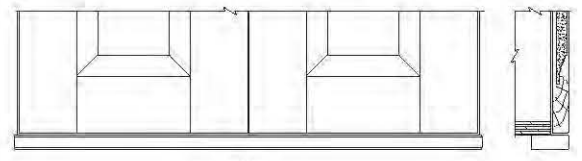
MM8



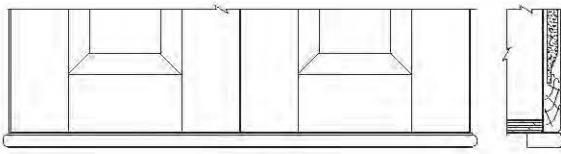
OGP8-A



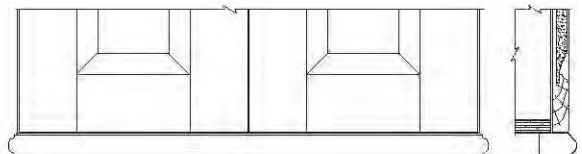
OGP8-B



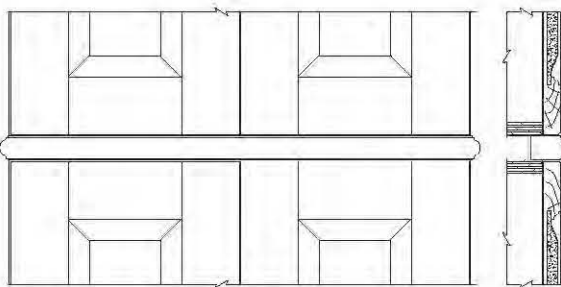
BM8



SBM8

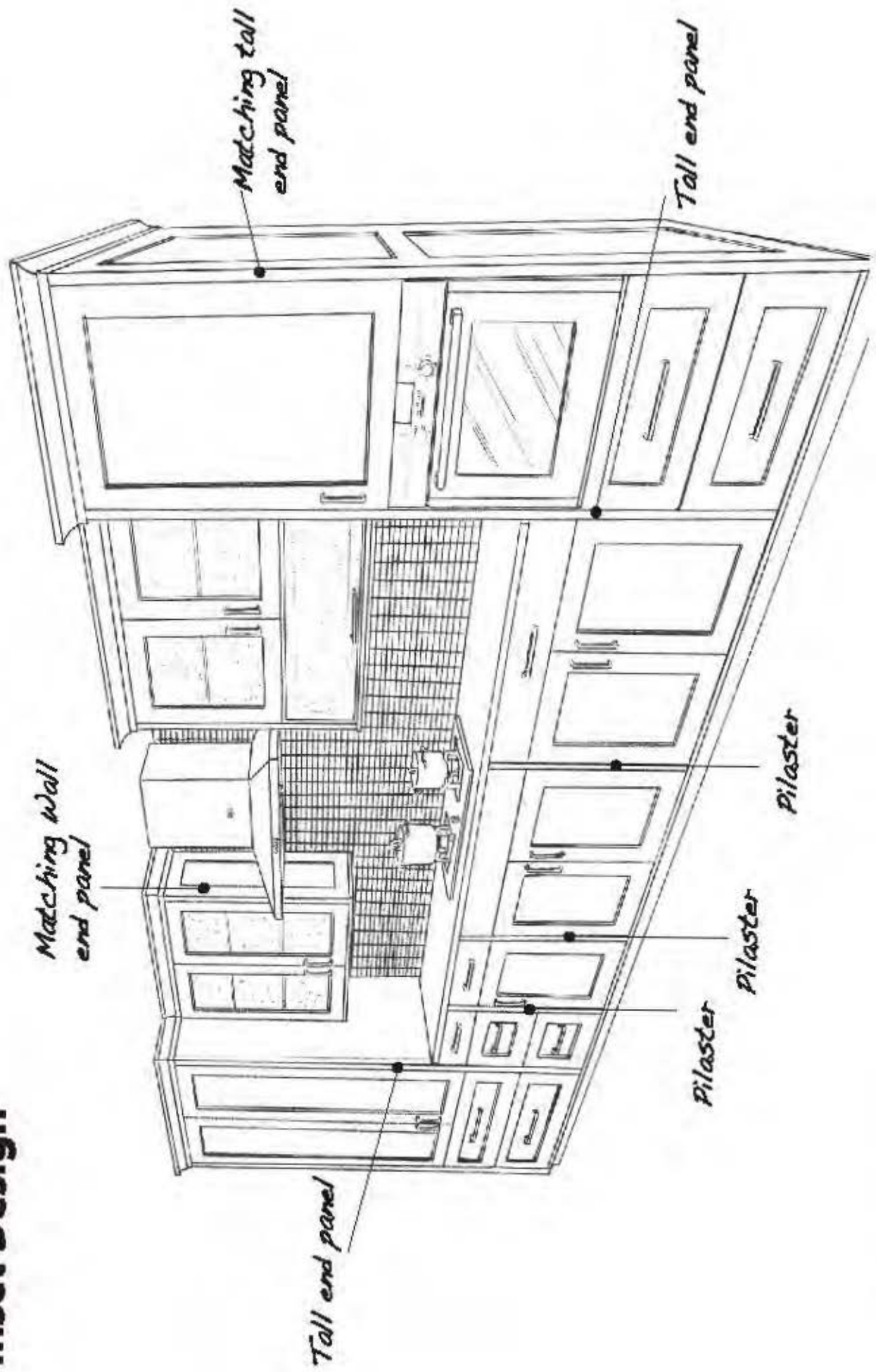


OGP8



OGP8

Inset Design



St.Martin

C A B I N E T R Y

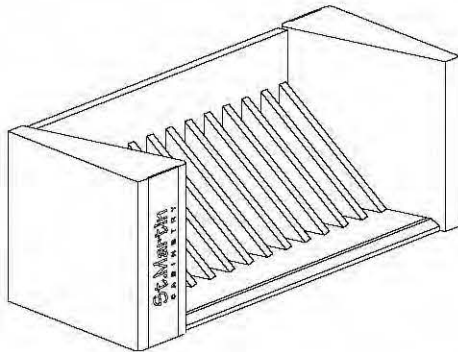
Sales Samples

READING THE CODE
MB (Code)

**NOTE: All Sales Samples are at NET pricing.
No additional discount apply.**

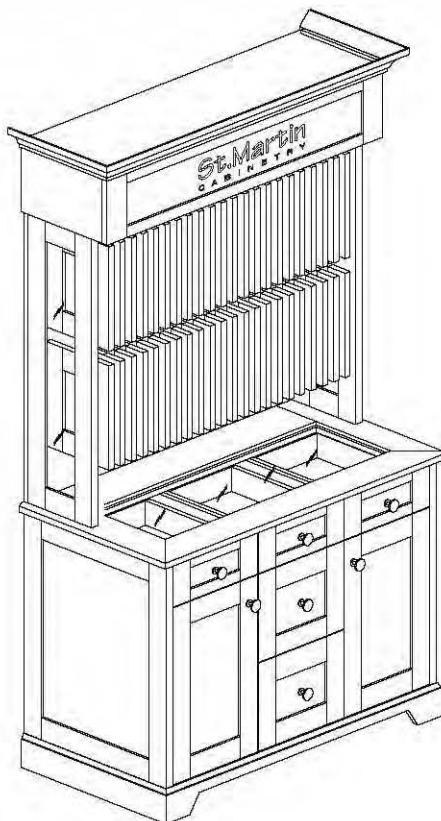
87 Schuylkill Street, Cressona, PA, 17929

Tel: 570-593-8596 Fax: 570-593-8066 / www.StmartinCabinetry.com

DEALER QUICK-START PACKAGE**ITEM**

QSP \$500

- The Dealer Quick-Start Package comes with 13 of our most popular door and color combinations from the Standard Collection.
- Doors are artfully housed in the included solid wood unit as shown.
- Package also includes a pack of brochures, two specification books, a color sample display and a molding sample display.

KITCHEN MERCHANDISING CENTER**ITEM**

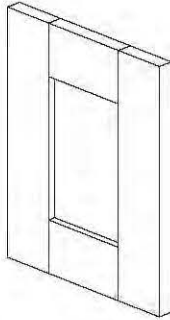
KMC48 \$2,500

- The Merchandising Center is an excellent showroom display tool that showcases our cabinet box construction and our most current doors and colors.
- The center comes as a complete kit and includes a base cabinet, a solid wood counter-top with a glass insert and a top rack which displays our most popular door and color combinations.
- Also included is a pack of brochures, two specification books, a color sample display and a molding block set.

SAMPLE DOOR

ITEM	PRICE
SD	\$30

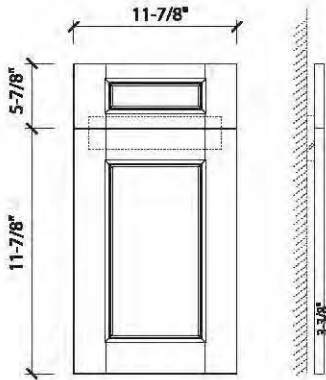
- One piece sample.



SAMPLE DOOR WITH ATTACHED MATCHING DRAWER FRONT

ITEM	PRICE
SD-DC	\$50

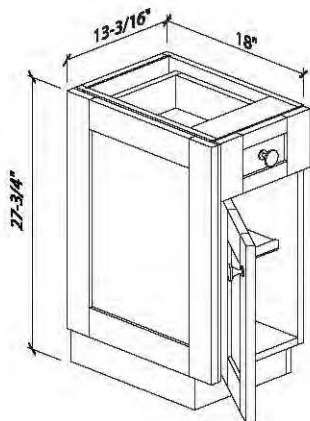
- One piece sample with door and matching drawer front.
- Please note: these may be special order depending on the door and color combination.



MINI BASE

ITEM	PRICE
MB	\$300

- Right side features a veneer finished side.
- Left side features a matching base end panel (MBEP)
- Standard finished toe kick (TK8) is installed on left side and front.
- This mini base is designed to help you sell. In it's small and portable footprint you'll be able to use it to sell the St. Martin features and quality in your showroom or on the road!

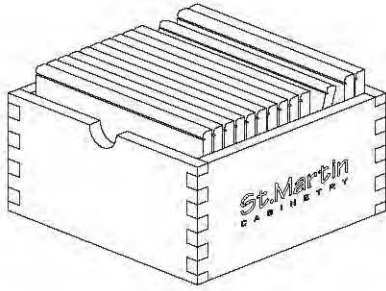


COLOR SAMPLE DISPLAY

ITEM

CSD

\$50

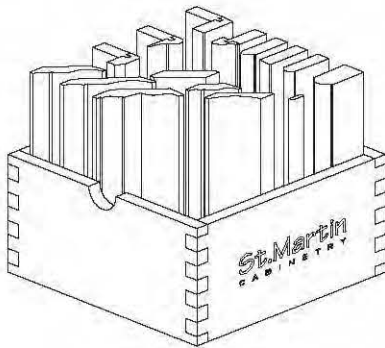


MOLDING SAMPLE

ITEM

MS

\$50



2020
TECHNOLOGIES



St. Martin America Inc.

87 Schuylkill Street, Cressona, PA, 17929 Tel: 570-593-8596 Fax: 570-593-8086

www.StMartinCabinetry.com